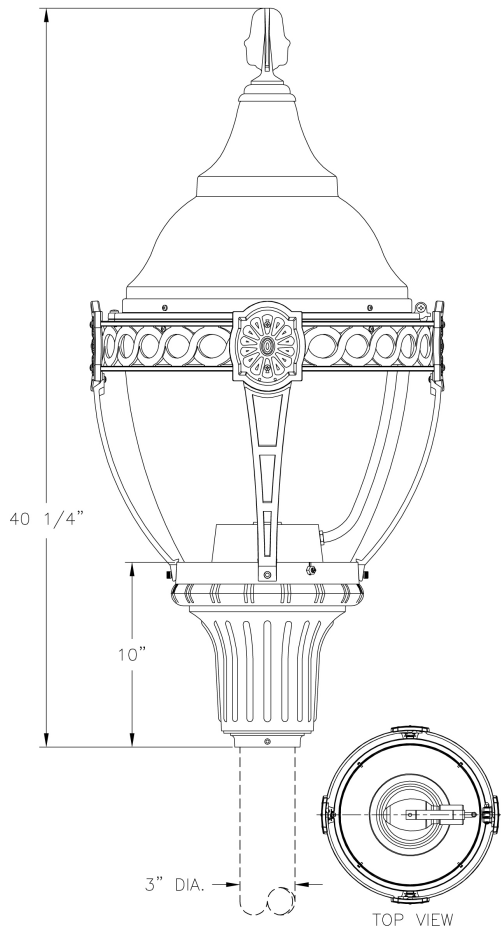


# State College (33555) Specification Sheet

Project Name:	Location:	MFG: Philips Lighting
Fixture Type:	Catalog No.:	Qty:



## Ordering Guide

Example: 33555 ABS A D 50H E M B

<b>Product Code</b>	33555	State College
<b>Finish</b>	ABS ACP ARD ASI BLK BRN BRZ FGN GRA IRN RBZ SRT VBZ VCP VGN VTC WBZ WHT	Antique Brass Antique Copper Antique Red Antique Silver Black Brown Bronze Forest Green Granite Ironstone Rustic Bronze Shadow Rust Verde Bronze Verde Copper Verde Vintage Copper Weathered Bronze White
<b>Panel/Globe</b>	A	Clear Acrylic
<b>Socket</b>	D G	Medium Mogul
<b>Wattage/Source</b>	50H 70H 10H 15H 35S 50S 70S 10S 15S 15I	50W MH 70W MH 100W MH 150W MH 35W HPS 50W HPS 70W HPS 100W HPS 150W HPS 150W INC.
<b>Voltage</b>	E F G H	120V 208V 240V 277V
<b>Distribution</b>	M P	Type III - Cutoff Optic Type V - Cutoff Optics
<b>Photoeye</b>	B N	Button Eye None

## Specifications

### CONSTRUCTION:

Cast aluminum finial. Spun aluminum roof. Die-cast aluminum decorative band and legs. Cast aluminum top and bottom cage rings hinged for relamping. Aluminum "Dark Skies" shield located inside globe. Ballast compartment / fitter slips over 3" dia. post or tenon.

### FINISH:

Resilient TGIC thermoset polyester powdercoat paint is electrostatically applied to every fixture. Specially formulated for Philips Outdoor Lighting, it provides UV protection, and the highest temperature rating in the industry. In addition to the standard color choices shown, a spectrum of custom colors is available.

### PANELS/LENS/GLOBE:

Clear Acrylic (CA) Globe.

### LAMPING:

Lamp is not included.

# State College (33555) Specification Sheet

Project Name:	Location:	MFG: Philips Lighting
Fixture Type:	Catalog No.:	Qty:

**ELECTRICAL ASSEMBLY:**

Roof conceals Type III Reflector and porcelain mogul base 4kv socket. Medium base 4kv socket also available. Fixture is pre-wired with 18 AWG black, white, and ground wires. Lantern will be pre-wired and tested. All electrical components are U.L. listed.

**BALLAST:**

Two piece cast aluminum watertight ballast compartment with 16 flutes. (Customer must specify ballast wattage and voltage required.)

**MOUNTING:**

Fixture mounts to 3" dia. post or tenon.

**WARRANTY:**

Three-year limited warranty.

**CERTIFICATIONS:**

ETL Listed to U.S. safety standards for wet locations. cETL Listed to Canadian safety standards for wet locations.

**Height:**

40 1/4"

**Width:**

19 3/8"

**Fitter:**

3" I.D.

**EPA:**

2.35

**Max. Weight:**

34 lbs.