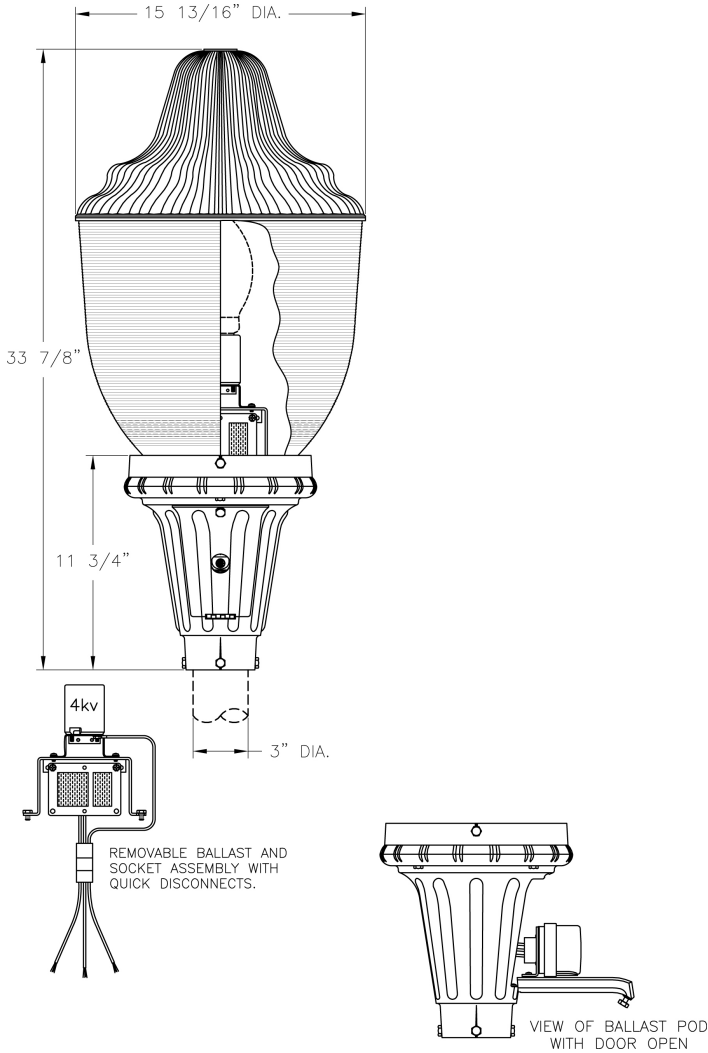


# Salt Lake (48000) Specification Sheet

Project Name:	Location:	MFG: Philips Lighting
Fixture Type:	Catalog No.:	Qty:



## Ordering Guide

Example: 48000 ABS A D 50H E 5L R G

Product Code	48000	Salt Lake
<b>Finish</b>	ABS ACP ARD ASI BLK BRN BRZ FGN GRA IRN RBZ SRT VBZ VCP VGN VTC WBZ WHT	Antique Brass Antique Copper Antique Red Antique Silver Black Brown Bronze Forest Green Granite Ironstone Rustic Bronze Shadow Rust Verde Bronze Verde Copper Verde Vintage Copper Weathered Bronze White
<b>Panel/Globe</b>	A P	Clear Acrylic Clear Polycarbonate
<b>Socket</b>	D G L R	Medium Mogul LED Induction
<b>Wattage/Source</b>	50H 70H 10H 15H 25H 35S 50S 70S 10S 15S 25S 15I 55R 85R 16R LED	50W MH 70W MH 100W MH 150W MH 250W MH 35W HPS 50W HPS 70W HPS 100W HPS 150W HPS 250W HPS 150W INC. 55W Induction 85W Induction 165W Induction LED
<b>Voltage</b>	E F G H	120V 208V 240V 277V
<b>Distribution</b>	5L  3L  3  5	Type V - Refractive Globe (w/ Litelid Reflector) Type III - Refractive Globe (w/ Litelid Reflector) Type III - Refractive Globe Type V - Refractive Globe
<b>Photoeye</b>	R N	Twist-Lock None
<b>Cage</b>	G N	Grosse Pointe None

# Salt Lake (48000) Specification Sheet

Project Name:	Location:	MFG: Philips Lighting
Fixture Type:	Catalog No.:	Qty:

## Specifications

### CONSTRUCTION:

Aluminum reflector LiteLid for increased down light located in globe top. Cast aluminum hinged door holds Twist Lock Receptacle and Photo Control. Lower Ballast Pod acts as fitter and slips over 3" dia. post or tenon.

### FINISH:

Resilient TGIC thermoset polyester powdercoat paint is electrostatically applied to every fixture. Specially formulated for Philips Outdoor Lighting, it provides UV protection, and the highest temperature rating in the industry. In addition to the standard color choices shown, a spectrum of custom colors is available.

### PANELS/LENS/GLOBE:

See lenses for available options.

### LAMPING:

Lamp is not included.

### ELECTRICAL ASSEMBLY:

Lantern will be prewired and tested. All electrical components are ETL listed.

### BALLAST:

Two piece cast aluminum watertight ballast compartment with 10 flutes. (Customer must specify ballast wattage and voltage required.)

### MOUNTING:

Fixture mounts to 3" dia. post or tenon.

### WARRANTY:

Three-year limited warranty.

### CERTIFICATIONS:

ETL Listed to U.S. safety standards for wet locations. cETL Listed to Canadian safety standards for wet locations.

### Height:

33 7/8"

### Width:

15 13/16" or 17"

### Fitter:

3" I.D.

### EPA:

2.15

### Max. Weight:

34 lbs.