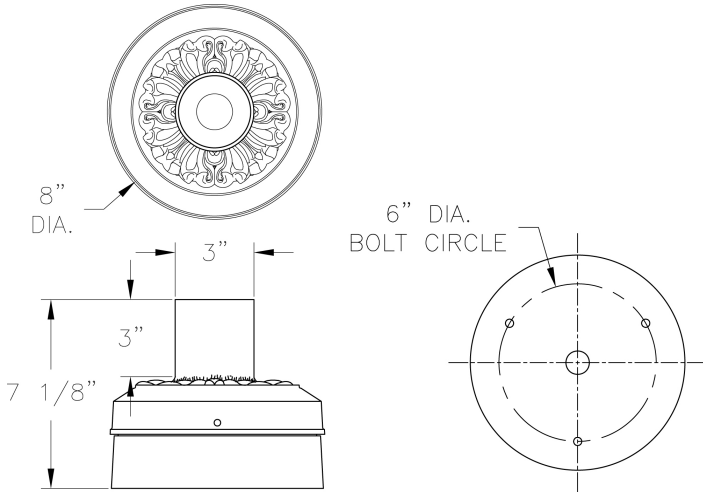


Decorative Pier Base (453) Specification Sheet

Project Name:	Location:	MFG: Philips Lighting
Fixture Type:	Catalog No.:	Qty:



Ordering Guide

Example: 453 ABS 150S E

Product Code	453	Decorative Pier Base
Finish	ABS ACP ARD ASI BLK BRN BRZ FGN GRA IRN RBZ SRT VBZ VCP VGN VTC WBZ WHT	Antique Brass Antique Copper Antique Red Antique Silver Black Brown Bronze Forest Green Granite Ironstone Rustic Bronze Shadow Rust Verde Bronze Verde Copper Verde Vintage Copper Weathered Bronze White
Wattage/Source	150S 50H 70H 100H 150H 35S 50S 70S 100S	150W HPS 50W MH 70W MH 100W MH 150W MH 35W HPS 50W HPS 70W HPS 100W HPS *1
Voltage	E F G H	120V 208V 240V 277V

*1 (E) 120V Option Only

Specifications

CONSTRUCTION:

Cast aluminum 2 piece decorative base. 3" dia. x .125" Wall tubing welded to base. Mounting hardware supplied.

FINISH:

Resilient TGIC thermoset polyester powdercoat paint is electrostatically applied to every fixture. Specially formulated for Philips Outdoor Lighting, it provides UV protection, and the highest temperature rating in the industry. In addition to the standard color choices shown, a spectrum of custom colors is available.

BALLAST:

Ballast mounted inside base. (Contact factory for ballast availability.)

Height:

7 1/8"

Width:

8"