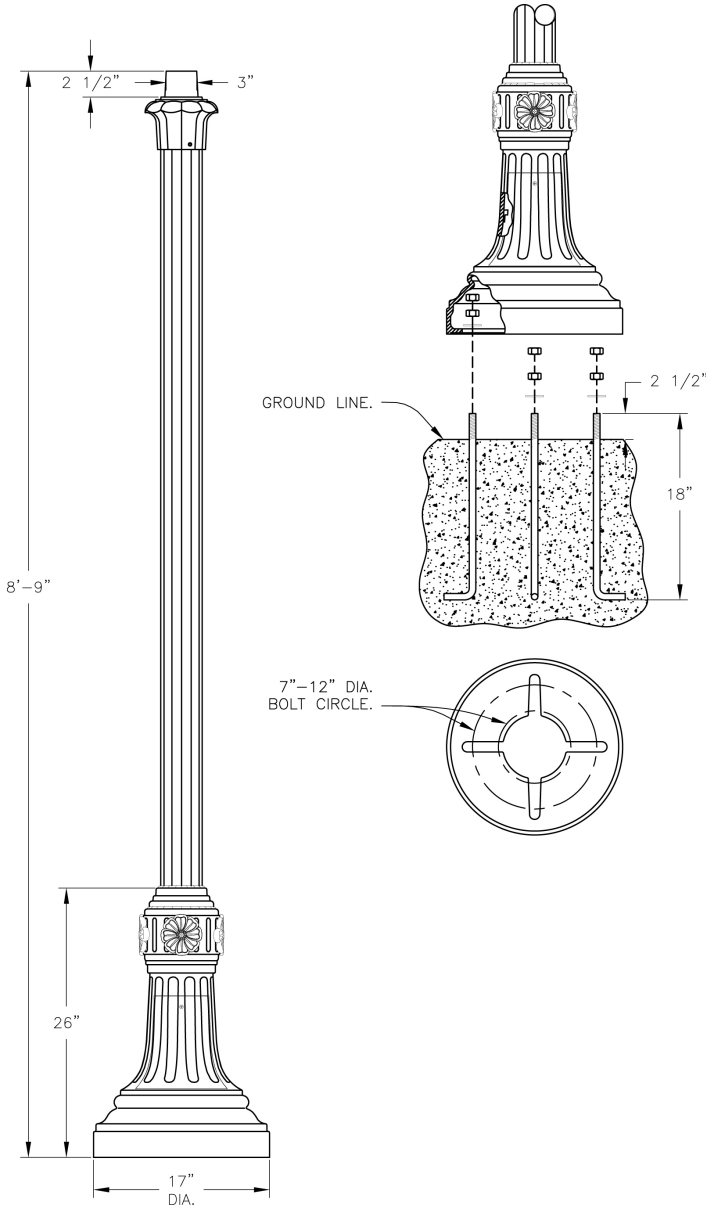


Anchor Base Post (783-) Specification Sheet

Project Name:	Location:	MFG: Philips Lighting
Fixture Type:	Catalog No.:	Qty:



Ordering Guide

Example: 783- 8 ABS 3 B B D

Product Code	783-	Anchor Base Post
Height(s)	8	(8 ft.)
	10	(10 ft.)
	12	(12 ft.)
	14	(14 ft.)
	16	(16 ft.)
Finish	ABS	Antique Brass
	ACP	Antique Copper
	ARD	Antique Red
	ASI	Antique Silver
	BLK	Black
	BRN	Brown
	BRZ	Bronze
	FGN	Forest Green
	GRA	Granite
	IRN	Ironstone
	RBZ	Rustic Bronze
	SRT	Shadow Rust
	VBZ	Verde Bronze
	VCP	Verde Copper
	VGN	Verde
	VTC	Vintage Copper
WBZ	Weathered Bronze	
WHT	White	
Tenon Option	3	3" dia.
	4	4" dia.
Photoeye (Optional)	B	120V
	C	208V - 277V
Outlet Location (Optional)	B	4" from Top of Base
	T	12" from Top of Pole
Outlet Options (Optional)	D	Standard Duplex
	G	GFI Duplex

Specifications

OUTLET:

GFI Duplex Outlet has dual-function indicator light, universal metal weatherproof cover. Weatherproof while in use. Heavy-duty all-metal construction. Lockable security cover. Meets NEC 406.9 (B). Weather resistant. Standard Duplex Outlet has universal metal weatherproof cover. Weatherproof while in use. Heavy-duty all-metal construction. Lockable security cover. Meets NEC 406.9 (B). Weather resistant.

CONSTRUCTION:

Cast aluminum anchor base. Cast aluminum removable access door. Round Fluted post welded to base. Four cast aluminum rosettes secured to base. Tenon secured to post top.

Anchor Base Post (783-) Specification Sheet

Project Name:	Location:	MFG: Philips Lighting
Fixture Type:	Catalog No.:	Qty:

FINISH:
Resilient TGIC thermoset polyester powdercoat paint is electrostatically applied to every fixture. Specially formulated for Philips Outdoor Lighting, it provides UV protection, and the highest temperature rating in the industry. In addition to the standard color choices shown, a spectrum of custom colors is available.

WARRANTY:
Three-year limited warranty.

Tenon/Top:
3" O.D.

Bolt Circle:
12" dia.

Anchor Rods:
(4) 3/4" dia. x 15" long zinc plated steel

Base Dimensions:
17" dia. x 26"

Shaft:
4" Round Fluted

Wall Thickness:
.125"

Height:
8', 10', 12', 14', 16', 18'

Pole EPA Values

Windspeed(mph)	Height				
	8'	10'	12'	14'	16'
80	20.3500	16.6800	11.1400	8.6800	6.8200
110	10.3000	7.1400	5.1100	3.6500	2.5100