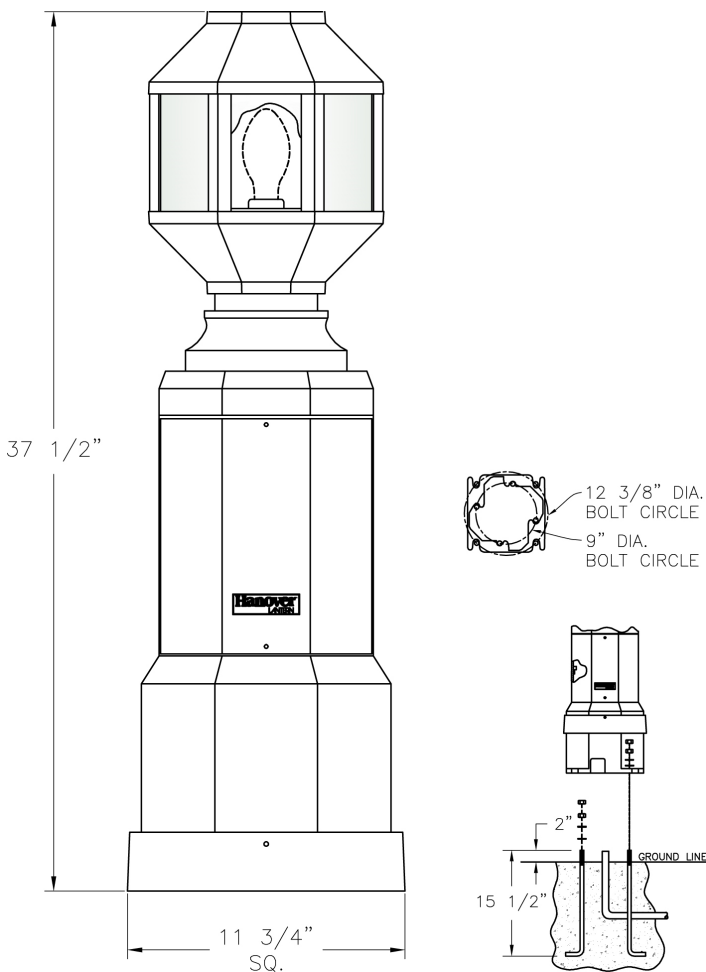


# Bollards ((DISCONTINUED) 2846) Specification Sheet

Project Name:	Location:	MFG: Philips Lighting
Fixture Type:	Catalog No.:	Qty:



## Ordering Guide

Example: (DISCONTINUED) 2846 ABS A D 50H E

Product Code	(DISCONTINUED) 2846		
<b>Finish</b>	ABS	Antique Brass	
	ACP	Antique Copper	
	ARD	Antique Red	
	ASI	Antique Silver	
	BLK	Black	
	BRN	Brown	
	BRZ	Bronze	
	FGN	Forest Green	
	GRA	Granite	
	IRN	Ironstone	
	RBZ	Rustic Bronze	
	SRT	Shadow Rust	
	VBZ	Verde Bronze	
	VCP	Verde Copper	
VGN	Verde		
VTC	Vintage Copper		
WHT	White		
WBZ	Weathered Bronze		
<b>Panel/Globe</b>	A	Clear Acrylic	
	B	Opal Acrylic	
	C	Clear Seeded Acrylic	
	D	Bronze Tone Acrylic	
	E	Clear Textured Acrylic	
	M	Opal Polycarbonate	
	P	Clear Polycarbonate	
	Q	Prismatic Polycarbonate	
	<b>Socket</b>	D	Medium
F		Fluorescent	
<b>Wattage/Source</b>	50H	50W MH	
	70H	70W MH	
	35S	35W HPS	*1
	50S	50W HPS	
	70S	70W HPS	
	75I	75W INC.	*1
	26F	26W Fluorescent	*2
	32F	32W Fluorescent	*2
<b>Voltage</b>	E	120V	
	F	208V	
	G	240V	
	H	277V	

\*1 120V (E) Voltage Only  
 \*2 Only (F) Socket for Fluorescent Models

## Specifications

### CONSTRUCTION:

Cast aluminum octagonal roof. Eight extruded aluminum legs. Cast aluminum bottom cage welded to base. Cast aluminum octagonal base with removable door. Square slip-over base cover.

# Bollards ((DISCONTINUED) 2846) Specification Sheet

Project Name:	Location:	MFG: Philips Lighting
Fixture Type:	Catalog No.:	Qty:

**FINISH:**  
Resilient TGIC thermoset polyester powdercoat paint is electrostatically applied to every fixture. Specially formulated for Philips Outdoor Lighting, it provides UV protection, and the highest temperature rating in the industry. In addition to the standard color choices shown, a spectrum of custom colors is available.

**PANELS/LENS/GLOBE:**  
Select Lens from list from Ordering Guide.

**LAMPING:**  
Lamp is not included.

**ELECTRICAL ASSEMBLY:**  
Lantern will be pre-wired and tested. All electrical components are ETL listed.

**BALLAST:**  
Customer must specify wattage and voltage desired.

**MOUNTING:**  
See template for dimensions & mounting instructions.

**WARRANTY:**  
Three-year limited warranty.

**CERTIFICATIONS:**  
ETL Listed to U.S. safety standards for wet locations. cETL Listed to Canadian safety standards for wet locations.

**Bolt Circle:**  
9" or 12 3/8" dia.

**Anchor Rods:**  
(4) 1/2" x 15 1/2" long zinc plated steel

**Base Dimensions:**  
11 3/4" sq.

**Height:**  
37 1/2"