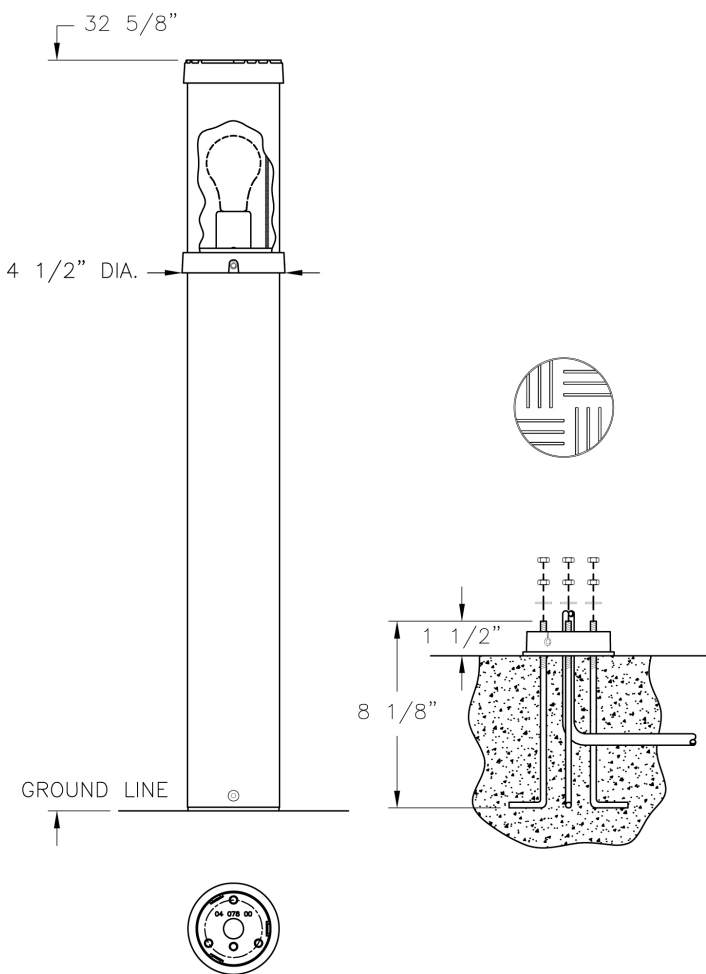


# Bollards ((DISCONTINUED) 6382) Specification Sheet

Project Name:	Location:	MFG: Philips Lighting
Fixture Type:	Catalog No.:	Qty:



## Ordering Guide

Example: (DISCONTINUED) 6382 WBZ M D 40I E

Product Code	(DISCONTINUED) 6382 Bollards		
<b>Finish</b>	WBZ	Weathered Bronze	
	ABS	Antique Brass	
	ACP	Antique Copper	
	ARD	Antique Red	
	ASI	Antique Silver	
	BLK	Black	
	BRN	Brown	
	BRZ	Bronze	
	FGN	Forest Green	
	GRA	Granite	
	IRN	Ironstone	
	RBZ	Rustic Bronze	
	SRT	Shadow Rust	
	VBZ	Verde Bronze	
VCP	Verde Copper		
VGN	Verde		
VTC	Vintage Copper		
WHT	White		
<b>Panel/Globe</b>	M	Opal Polycarbonate	
<b>Socket</b>	D	Medium Fluorescent	
	F	Fluorescent	
<b>Wattage/Source</b>	40I	40W INC.	
	13F	13W Fluorescent	*1
	18F	18W Fluorescent	*1
	26F	26W Fluorescent	*1
<b>Voltage</b>	E	120V	
	F	208V	
	G	240V	
	H	277V	

\*1 Only (F) Socket for Fluorescent Models

## Specifications

### CONSTRUCTION:

Decorative cast aluminum top roof. Cast aluminum bottom ring. 4" dia. x .125" wall extruded aluminum post. Cast aluminum 4" dia. anchor base supplied with anchor rods.

### FINISH:

Resilient TGIC thermoset polyester powdercoat paint is electrostatically applied to every fixture. Specially formulated for Philips Outdoor Lighting, it provides UV protection, and the highest temperature rating in the industry. In addition to the standard color choices shown, a spectrum of custom colors is available.

### PANELS/LENS/GLOBE:

4" O.D. Opal Polycarbonate (M) cylinder.

### LAMPING:

Lamp is not included.

### ELECTRICAL ASSEMBLY:

Lantern will be pre-wired and tested. All electrical components are ETL listed.

### BALLAST:

Customer must specify wattage desired.

### MOUNTING:

# Bollards ((DISCONTINUED) 6382) Specification Sheet

Project Name:	Location:	MFG: Philips Lighting
Fixture Type:	Catalog No.:	Qty:

See template for dimensions & mounting instructions.

**WARRANTY:**

Three-year limited warranty.

**CERTIFICATIONS:**

ETL Listed to U.S. safety standards for wet locations. cETL Listed to Canadian safety standards for wet locations.

**Bolt Circle:**

2 1/2" dia.

**Anchor Rods:**

(3) 1/4-20 zinc plated steel

**Base Dimensions:**

4 1/2" dia.

**Height:**

32 5/8"