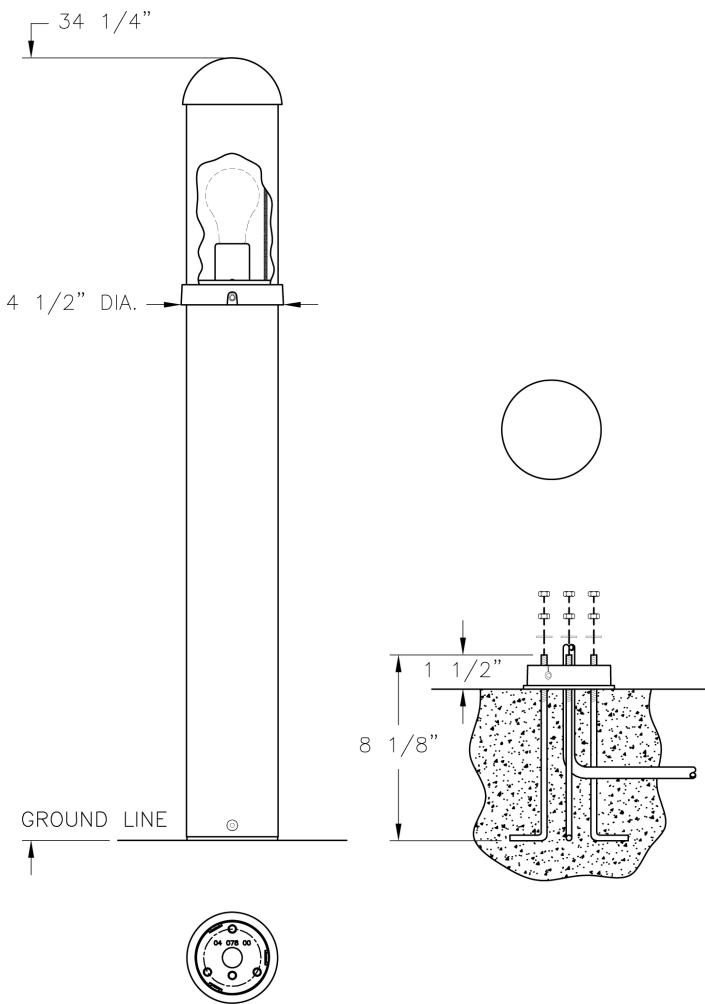


# Bollards ((DISCONTINUED) 6384) Specification Sheet

Project Name:	Location:	MFG: Philips Lighting
Fixture Type:	Catalog No.:	Qty:



## Ordering Guide

Example: (DISCONTINUED) 6384 WBZ M D 40I E

Product Code	(DISCONTINUED) 6384 Bollards	
<b>Finish</b>	WBZ	Weathered Bronze
	ABS	Antique Brass
	ACP	Antique Copper
	ARD	Antique Red
	ASI	Antique Silver
	BLK	Black
	BRN	Brown
	BRZ	Bronze
	FGN	Forest Green
	GRA	Granite
	IRN	Ironstone
	RBZ	Rustic Bronze
	SRT	Shadow Rust
	VBZ	Verde Bronze
	VCP	Verde Copper
	VGN	Verde
	VTC	Vintage Copper
	WHT	White
<b>Panel/Globe</b>	M	Opal Polycarbonate
<b>Socket</b>	D	Medium Fluorescent
	F	Fluorescent
<b>Wattage/Source</b>	40I	40W INC.
	13F	13W *1
	18F	18W Fluorescent *1
	26F	26W Fluorescent *1
<b>Voltage</b>	E	120V
	F	208V
	G	240V
	H	277V

\*1 Only (F) Socket for Fluorescent Models

## Specifications

### CONSTRUCTION:

Cast aluminum dome top cap. Cast aluminum bottom ring. 4" dia. x .125" wall extruded aluminum post. Cast aluminum 4" dia. anchor base supplied with anchor rods.

### FINISH:

Resilient TGIC thermoset polyester powdercoat paint is electrostatically applied to every fixture. Specially formulated for Philips Outdoor Lighting, it provides UV protection, and the highest temperature rating in the industry. In addition to the standard color choices shown, a spectrum of custom colors is available.

### PANELS/LENS/GLOBE:

4" O.D. Opal Polycarbonate (M) cylinder.

### LAMPING:

Lamp is not included.

### ELECTRICAL ASSEMBLY:

Lantern will be pre-wired and tested. All electrical components are ETL listed.

### BALLAST:

Customer must specify wattage desired.

## Bollards ((DISCONTINUED) 6384) Specification Sheet

Project Name:	Location:	MFG: Philips Lighting
Fixture Type:	Catalog No.:	Qty:

**MOUNTING:**

See template for dimensions & mounting instructions.

**WARRANTY:**

Three-year limited warranty.

**CERTIFICATIONS:**

ETL Listed to U.S. safety standards for wet locations. cETL Listed to Canadian safety standards for wet locations.

**Bolt Circle:**

2 1/2" dia.

**Anchor Rods:**

(3) 1/4-20 zinc plated steel

**Base Dimensions:**

4 1/2" dia.

**Height:**

34 1/4"