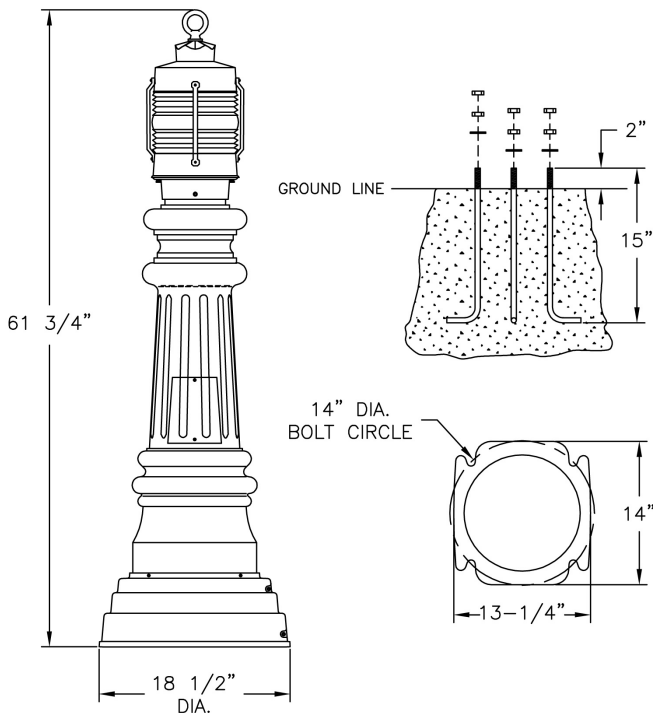


# Bollards (9046) Specification Sheet

|               |              |                       |
|---------------|--------------|-----------------------|
| Project Name: | Location:    | MFG: Philips Lighting |
| Fixture Type: | Catalog No.: | Qty:                  |



## Ordering Guide

Example: 9046 WBZ G D 50H E

|                       |      |                  |    |
|-----------------------|------|------------------|----|
| <b>Product Code</b>   | 9046 | Bollards         |    |
| <b>Finish</b>         | WBZ  | Weathered Bronze |    |
|                       | ABS  | Antique Brass    |    |
|                       | ACP  | Antique Copper   |    |
|                       | ARD  | Antique Red      |    |
|                       | ASI  | Antique Silver   |    |
|                       | BLK  | Black            |    |
|                       | BRN  | Brown            |    |
|                       | BRZ  | Bronze           |    |
|                       | FGN  | Forest Green     |    |
|                       | GRA  | Granite          |    |
|                       | IRN  | Ironstone        |    |
|                       | RBZ  | Rustic Bronze    |    |
|                       | SRT  | Shadow Rust      |    |
|                       | VBZ  | Verde Bronze     |    |
|                       | VCP  | Verde Copper     |    |
|                       | VGN  | Verde            |    |
|                       | VTC  | Vintage Copper   |    |
|                       | WHT  | White            |    |
| <b>Panel/Globe</b>    | G    | Clear Glass      |    |
| <b>Socket</b>         | D    | Medium           |    |
|                       | F    | Fluorescent      |    |
| <b>Wattage/Source</b> | 50H  | 50W MH           |    |
|                       | 70H  | 70W MH           |    |
|                       | 100H | 100W MH          |    |
|                       | 35S  | 35W HPS          | *1 |
|                       | 50S  | 50W HPS          |    |
|                       | 70S  | 70W HPS          |    |
|                       | 100S | 100W HPS         |    |
|                       | 100I | 100W INC.        | *1 |
|                       | 26F  | 26W              | *2 |
|                       |      | Fluorescent      |    |
|                       | 32F  | 32W              | *2 |
|                       |      | Fluorescent      |    |
| <b>Voltage</b>        | E    | 120V             |    |
|                       | F    | 208V             |    |
|                       | G    | 240V             |    |
|                       | H    | 277V             |    |

\*1 120V (E) Voltage Only

\*2 Only (F) Socket for Fluorescent Models

## Specifications

### CONSTRUCTION:

Cast aluminum heavy duty loop. Cast aluminum cap and roof. Four cast aluminum vertical arms secured to roof and bottom. Cast aluminum cage bottom ring. Cast aluminum cage bottom fitter. Cast aluminum 12 flute base with removable door. Two piece cast aluminum base cover.

9046 - INC Model

9046EF - Fluorescent Model

9046IB - Metal Halide or High Pressure Sodium Model

### FINISH:

Resilient TGIC thermoset polyester powdercoat paint is electrostatically applied to every fixture. Specially formulated for Philips Outdoor Lighting, it provides UV protection, and the highest temperature rating in the industry. In addition to the standard color choices shown, a spectrum of custom colors is available.

### PANELS/LENS/GLOBE:

Clear Glass (CG) Fresnel Lens.

### LAMPING:

# Bollards (9046) Specification Sheet

|               |              |                       |
|---------------|--------------|-----------------------|
| Project Name: | Location:    | MFG: Philips Lighting |
| Fixture Type: | Catalog No.: | Qty:                  |

Lamp is not included.

**ELECTRICAL ASSEMBLY:**

INC Model - Poreclain medium base socket.

EF Model - 4 Pin PL-T socket provided.

IB Model - Poreclain medium base 4kv socket supplied.

Lantern will be pre-wired and tested. All electrical components are ETL listed.

**BALLAST:**

EF Model - Ballast mounted to inside base. 13, 18, 26, 32, or 42 Watt Electronic Fluorscent ballast 120 volt HPF supplied. (Customer must specify wattage desired.)

IB Model - Ballast mounted to inside base. (Customer must specify wattage desired.)

**MOUNTING:**

See template for dimensions & mounting instructions.

**WARRANTY:**

Three-year limited warranty.

**CERTIFICATIONS:**

ETL Listed to U.S. safety standards for wet locations. cETL Listed to Canadian safety standards for wet locations.

**Bolt Circle:**

14" dia.

**Anchor Rods:**

(4) 3/4" x 20" long galvanized steel

**Base Dimensions:**

20 3/8" dia.

**Height:**

63 1/4"