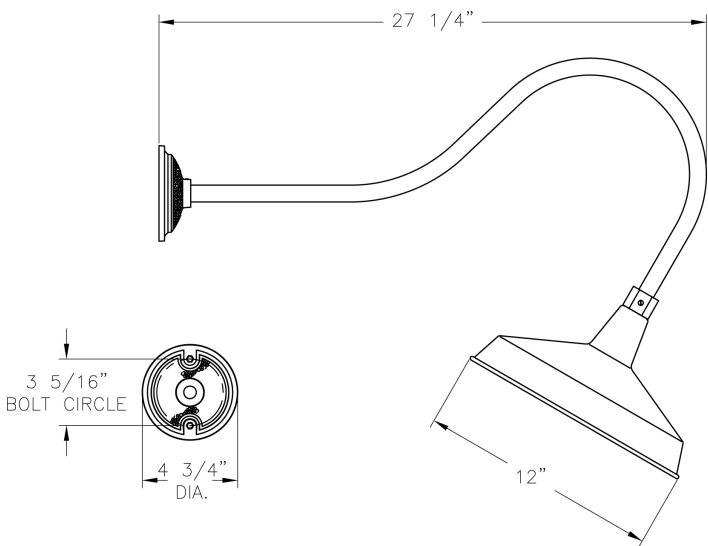


# RLM Bracket ((DISCONTINUED) 36) Specification Sheet

Project Name:	Location:	MFG: Philips Lighting
Fixture Type:	Catalog No.:	Qty:



## Ordering Guide

Example: (DISCONTINUED) 36 241 ABS W

Product Code	(DISCONTINUED) Bracket 36	
<b>RLM Shade</b>	241	Small
	441	Medium
	641	Large
	251	Small
	451	Medium
	261	Small
	461	Medium
	271	Small
	471	Medium
	481	Medium
	681	Large
	291	Small
	491	Medium
	691	Large
292	Small	
492	Medium	
692	Large	
<b>Finish</b>	ABS	Antique Brass
	ACP	Antique Copper
	ARD	Antique Red
	ASI	Antique Silver
	BLK	Black
	BRN	Brown
	BRZ	Bronze
	FGN	Forest Green
	GRA	Granite
	IRN	Ironstone
	RBZ	Rustic Bronze
	SRT	Shadow Rust
	VBZ	Verde Bronze
	VCP	Verde Copper
	VGN	Verde
	VTC	Vintage Copper
WBZ	Weathered Bronze	
WHT	White	
RED	RLM Red	
<b>Wire Guard</b>	W	Wire Guard *1
	N	No Wire Guard

\*1 For 241, 441, 641 Shades Only

\*RLM Each RLM Shade Style has its own product page. (Search by model Shade number.)

## Specifications

### CONSTRUCTION:

Cast aluminum 4 3/4" dia. decorative wall mounting plate with locking set screw. 1/2" Schedule 40 pipe formed aluminum arm.

(All RLM Configurations visible under Specification Sheets under the Product Image.)

### FINISH:

Resilient TGIC thermoset polyester powdercoat paint is electrostatically applied to every fixture. Specially formulated for Philips Outdoor Lighting, it provides UV protection, and the highest temperature rating in the industry. In addition to the standard color choices shown, a spectrum of custom colors is available.

### MOUNTING:

Mounting Hardware is supplied.

### WARRANTY:

Three-year limited warranty.

# RLM Bracket ((DISCONTINUED) 36) Specification Sheet

Project Name:

Location:

MFG: Philips Lighting

Fixture Type:

Catalog No.:

Qty:

## CERTIFICATIONS:

ETL Listed to U.S. safety standards for wet locations. cETL Listed to Canadian safety standards for wet locations.

### Height:

11 3/4"

### Width:

4 3/4" dia.

### Projection:

27 1/4"

### Top to Outlet:

6 3/4"