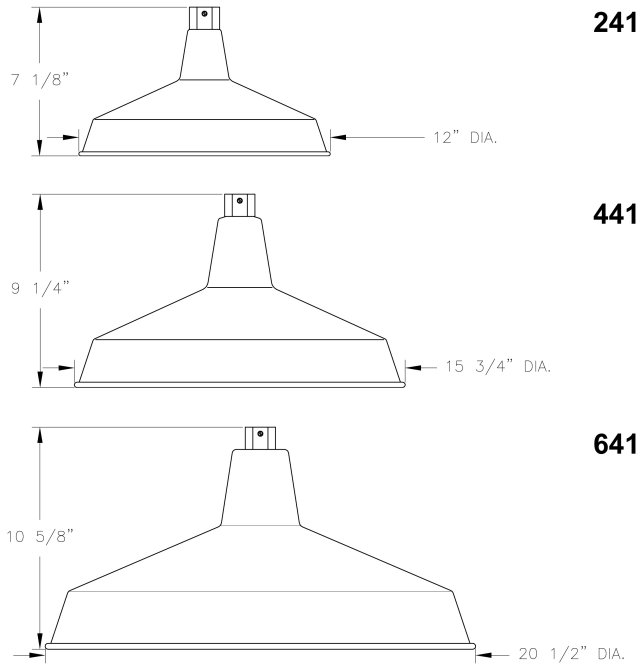


RLM Spun Aluminum Shade ((DISCONTINUED) 241) Specification Sheet

Project Name:	Location:	MFG: Philips Lighting
Fixture Type:	Catalog No.:	Qty:



Ordering Guide

Example: (DISCONTINUED) 241 ABS

Product Code	(DISCONTINUED) Spun Aluminum Shade
Finish	ABS Antique Brass ACP Antique Copper ARD Antique Red ASI Antique Silver BLK Black BRN Brown BRZ Bronze FGN Forest Green GRA Granite IRN Ironstone RBZ Rustic Bronze SRT Shadow Rust VBZ Verde Bronze VCP Verde Copper VGN Verde VTC Vintage Copper WBZ Weathered Bronze WHT White RED RLM Red

Specifications

CONSTRUCTION:

Spun aluminum shade painted white under. Aluminum hex nut adapter with o-ring seal. Top hex nut has 1/2-14 NPS female thread x .718" deep.

FINISH:

Resilient TGIC thermoset polyester powdercoat paint is electrostatically applied to every fixture. Specially formulated for Philips Outdoor Lighting, it provides UV protection, and the highest temperature rating in the industry. In addition to the standard color choices shown, a spectrum of custom colors is available.

LAMPING:

No. 241 (100w. max.)

ELECTRICAL ASSEMBLY:

Inverted porcelain medium base socket. Lantern will be prewired and tested. All electrical components are ETL listed.

MOUNTING:

Mounting Hardware is supplied.