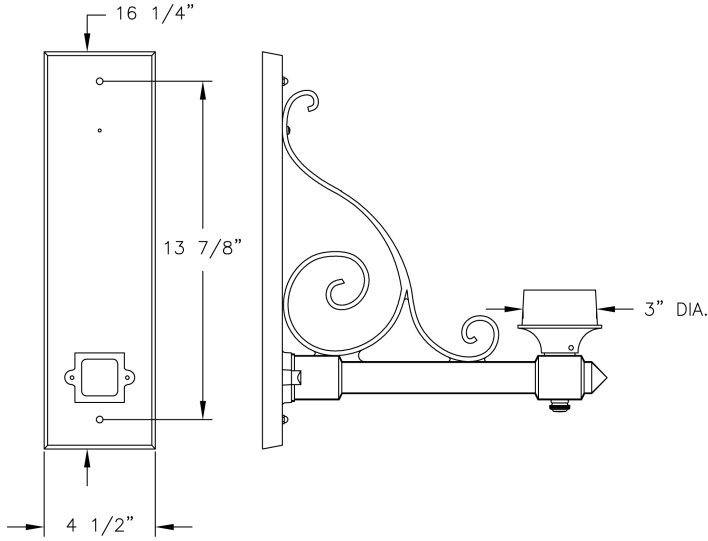


Wall Mount Bracket w/ Scroll (225S) Specification Sheet

Project Name:	Location:	MFG: Philips Lighting
Fixture Type:	Catalog No.:	Qty:



Ordering Guide

Example: 225S ABS

Product Code	225S	Wall Mount Bracket w/ Scroll
Finish	ABS	Antique Brass
	ACP	Antique Copper
	ARD	Antique Red
	ASI	Antique Silver
	BLK	Black
	BRN	Brown
	BRZ	Bronze
	FGN	Forest Green
	GRA	Granite
	IRN	Ironstone
	RBZ	Rustic Bronze
	SRT	Shadow Rust
	VBZ	Verde Bronze
	VCP	Verde Copper
	VGN	Verde
	VTC	Vintage Copper
	WBZ	Weathered Bronze
	WHT	White

Specifications

CONSTRUCTION:

Cast aluminum wall plate. Cast aluminum bracket arm with scroll. Cast aluminum fitter tenon. Knurled brass bracket cap. Cast aluminum access door secures to bracket arm with stainless steel set screws.

FINISH:

Resilient TGIC thermoset polyester powdercoat paint is electrostatically applied to every fixture. Specially formulated for Philips Outdoor Lighting, it provides UV protection, and the highest temperature rating in the industry. In addition to the standard color choices shown, a spectrum of custom colors is available.

MOUNTING:

Mounting Hardware is supplied.

Height:

16 1/4"

Width:

4 1/2"

Projection:

14 1/8"

Top to Outlet:

13 3/8"