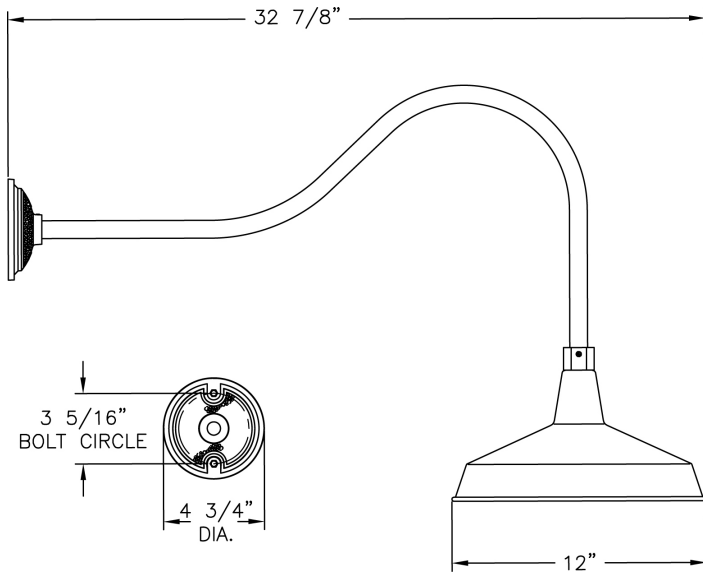


RLM Bracket ((DISCONTINUED) 38) Specification Sheet

Project Name:	Location:	MFG: Philips Lighting
Fixture Type:	Catalog No.:	Qty:



Ordering Guide

Example: (DISCONTINUED) 38 241 ABS

Product Code	(DISCONTINUED) Bracket 38	
RLM Shade	241	Small
	441	Medium
	641	Large
	251	Small
	451	Medium
	261	Small
	461	Medium
	271	Small
	471	Medium
	481	Medium
	681	Large
	291	Small
	491	Medium
	691	Large
Finish	292	Small
	492	Medium
	692	Large
	ABS	Antique Brass
	ACP	Antique Copper
	ARD	Antique Red
	ASI	Antique Silver
	BLK	Black
	BRN	Brown
	BRZ	Bronze
FGN	Forest Green	
GRA	Granite	
IRN	Ironstone	
RBZ	Rustic Bronze	
SRT	Shadow Rust	
VBZ	Verde Bronze	
VCP	Verde Copper	
VGN	Verde	
VTC	Vintage Copper	
WBZ	Weathered Bronze	
WHT	White	
RED	RLM Red	

*RLM Each RLM Shade Style has its own product page. (Search by model Shade number.)

Specifications

CONSTRUCTION:

Cast aluminum 4 3/4" dia. decorative wall mounting plate with locking set screw. 1/2" Schedule 40 pipe formed aluminum arm.

(All RLM Configurations visible under Specification Sheets under the Product Image.)

FINISH:

Resilient TGIC thermoset polyester powdercoat paint is electrostatically applied to every fixture. Specially formulated for Philips Outdoor Lighting, it provides UV protection, and the highest temperature rating in the industry. In addition to the standard color choices shown, a spectrum of custom colors is available.

MOUNTING:

Mounting Hardware is supplied.

WARRANTY:

Three-year limited warranty.

CERTIFICATIONS:

ETL Listed to U.S. safety standards for wet locations. cETL Listed to Canadian safety standards for wet locations.

RLM Bracket ((DISCONTINUED) 38) Specification Sheet

Project Name:	Location:	MFG: Philips Lighting
Fixture Type:	Catalog No.:	Qty:

Height:
12 3/8"

Width:
4 3/4" dia.

Projection:
26 7/8"

Top to Outlet:
6 3/4"