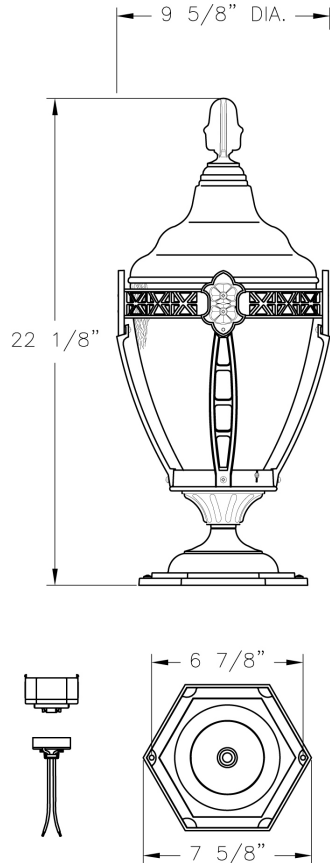


# Small Fluorescent Grosse Pointe Pier Mount (B17360FL) Specification Sheet

Project Name:	Location:	MFG: Philips Lighting
Fixture Type:	Catalog No.:	Qty:



## Ordering Guide

Example: B17360FL ABS T 13W

<b>Product Code</b>	B17360FL	Small Fluorescent Grosse Pointe Pier Mount
<b>Finish</b>	ABS ACP ARD ASI BLK BRN BRZ FGN GRA IRN RBZ SRT VBZ VCP VGN VTC WBZ WHT	Antique Brass Antique Copper Antique Red Antique Silver Black Brown Bronze Forest Green Granite Ironstone Rustic Bronze Shadow Rust Verde Bronze Verde Copper Verde Vintage Copper Weathered Bronze White
<b>Panel/Globe</b>	T	Lg. Clear Textured Polycarbonate
<b>Wattage/Source</b>	13W 18W 26W 32W 42W	Fluorescent 13W Fluorescent 18W Fluorescent 26W Fluorescent 32W Fluorescent 42W

## Specifications

### CONSTRUCTION:

Cast aluminum hex pier base. Cast aluminum finial attached to roof. Cast aluminum fluted holder with two (2) weep holes. Four (4) die cast leg segments secured to holder and band segments with stainless steel screws. Four (4) die cast band segments secured together with stainless steel screws. Spun aluminum roof.

### FINISH:

Resilient TGIC thermoset polyester powdercoat paint is electrostatically applied to every fixture. Specially formulated for Philips Outdoor Lighting, it provides UV protection, and the highest temperature rating in the industry. In addition to the standard color choices shown, a spectrum of custom colors is available.

### PANELS/LENS/GLOBE:

Clear Textured Polycarbonate Globe (CTPG) only, UV stabilized

### LAMPING:

42W maximum fluorescent ballast. Twist lock GX24q four (4) pin socket ballast provided. Electronic fluorescent ballast (Customer must specify wattage). 120 volt HPF supplied. (Lamp not supplied).

### ELECTRICAL ASSEMBLY:

Fixture is pre-wired with 18 AWG black, white, and ground wires. Lantern will be prewired and tested. All electrical components are ETL listed.

### MOUNTING:

See template for dimensions & mounting instructions.

### WARRANTY:

Lifetime limited warranty.

# Small Fluorescent Grosse Pointe Pier Mount (B17360FL) Specification Sheet

Project Name:	Location:	MFG: Philips Lighting
Fixture Type:	Catalog No.:	Qty:

**CERTIFICATIONS:**

ETL Listed to U.S. safety standards for wet locations. cETL Listed to Canadian safety standards for wet locations.

**Height:**

22 1/8"

**Width:**

9 5/8"

**Max. Weight:**

10 lb.