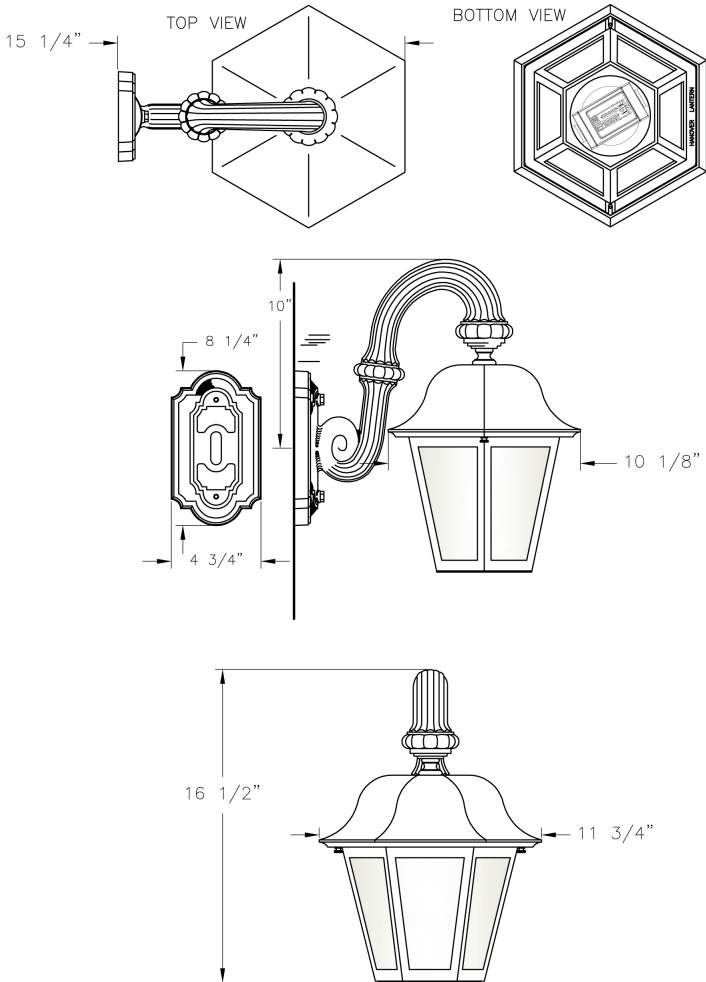


Medium Manor LED Wall Mount (B41FRMLED) Specification Sheet

Project Name:	Location:	MFG: Philips Lighting
Fixture Type:	Catalog No.:	Qty:



Ordering Guide

Example: B41FRMLED ABS B 4K

Product Code	B41FRMLED Medium Manor LED Wall Mount	
Finish	ABS	Antique Brass
	ACP	Antique Copper
	ARD	Antique Red
	ASI	Antique Silver
	BLK	Black
	BRN	Brown
	BRZ	Bronze
	FGN	Forest Green
	GRA	Granite
	IRN	Ironstone
	RBZ	Rustic Bronze
	SRT	Shadow Rust
	VBZ	Verde Bronze
	VCP	Verde Copper
	VGN	Verde
	VTC	Vintage Copper
	WBZ	Weathered Bronze
	WHT	White
Panel/Globe	B	Opal Acrylic (standard)
Lamping	4K	4000K (Color Temp.)
	3K	3000K (Color Temp.)

Specifications

CONSTRUCTION:

Cast Aluminum "S" fluted bracket arm attaches to cast aluminum wall plate. Cast aluminum hex cage with open bottom. Cast aluminum hex roof secured with thumbscrews. Painted solid brass spacer to match finish.

FINISH:

Resilient TGIC thermoset polyester powdercoat paint is electrostatically applied to every fixture. Specially formulated for Philips Outdoor Lighting, it provides UV protection, and the highest temperature rating in the industry. In addition to the standard color choices shown, a spectrum of custom colors is available.

PANELS/LENS/GLOBE:

Set of Opal Acrylic panels are standard. (Other panels available, contact factory.)

LAMPING:

4,000K (4K) color temperature or 3,000K (3K). Lumileds Rebel LEDs (1) 10 up board (100 lumens per watt each LED) on aluminum core PCB. Cast aluminum heat sink with sealed lens.

BALLAST:

Smart select electronic 25 watts, 330MA, 36-volt driver 120-270 VAC; 50-60 Hz; auto sensing with internal 6kv surge protection.

ELECTRICAL ASSEMBLY:

Medium Manor LED Wall Mount (B41FRMLED) Specification Sheet

Project Name:	Location:	MFG: Philips Lighting
Fixture Type:	Catalog No.:	Qty:

Fixture is pre-wired with 18 AWG black, white, and ground wires. Lantern will be prewired and tested. All electrical components are ETL listed.

MOUNTING:

See template for dimensions & mounting instructions.

WARRANTY:

Five Year Limited Warranty

Height:

16 1/2"

Width:

11 3/4"

Projection:

15 1/4"

Top to Outlet:

10"