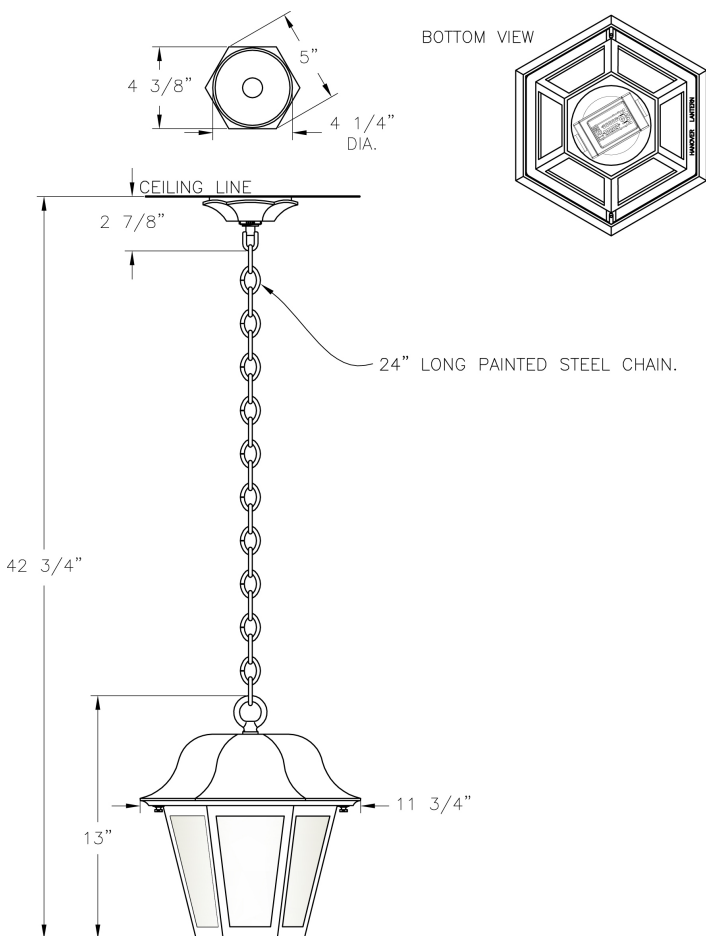


# Medium Manor LED Ceiling Lantern (B4120LED) Specification Sheet

Project Name:	Location:	MFG: Philips Lighting
Fixture Type:	Catalog No.:	Qty:



## Ordering Guide

Example: B4120LED ABS B 4K

Product Code	B4120LED	Medium Manor LED Ceiling Lantern
<b>Finish</b>	ABS ACP ARD ASI BLK BRN BRZ FGN GRA IRN RBZ SRT VBZ VCP VGN VTC WBZ WHT	Antique Brass Antique Copper Antique Red Antique Silver Black Brown Bronze Forest Green Granite Ironstone Rustic Bronze Shadow Rust Verde Bronze Verde Copper Verde Vintage Copper Weathered Bronze White
<b>Panel/Globe</b>	B	Opal Acrylic (standard)
<b>Lamping</b>	4K 3K	4000K (Color Temp.) 3000K (Color Temp.)

## Specifications

### CONSTRUCTION:

Cast aluminum hex ceiling canopy. Painted loop and screw collar. 24" long painted steel chain to match finish. Cast aluminum loop. Cast aluminum hex roof secured to cage with thumbscrews. Cast aluminum hex cage with open bottom.

### FINISH:

Resilient TGIC thermoset polyester powdercoat paint is electrostatically applied to every fixture. Specially formulated for Philips Outdoor Lighting, it provides UV protection, and the highest temperature rating in the industry. In addition to the standard color choices shown, a spectrum of custom colors is available.

### PANELS/LENS/GLOBE:

Set of Opal Acrylic panels are standard. (Other panels available, contact factory.)

### LAMPING:

4,000K (4K) color temperature or 3,000K (3K). Lumileds Rebel LEDs (1) 10 up board (100 lumens per watt each LED) on aluminum core PCB. Cast aluminum heat sink with sealed lens.

### BALLAST:

Smart select electronic 25 watts, 330MA, 36-volt driver 120-277 VAC; 50-60 Hz; auto sensing with internal 6kv surge protection.

### ELECTRICAL ASSEMBLY:

Fixture is pre-wired with 18 AWG black, white, and ground wires.

### MOUNTING:

# Medium Manor LED Ceiling Lantern (B4120LED) Specification Sheet

Project Name:	Location:	MFG: Philips Lighting
Fixture Type:	Catalog No.:	Qty:

See template for dimensions & mounting instructions.

**WARRANTY:**

Five Year Limited Warranty

**Height:**

42 3/4"

**Width:**

11 3/4"