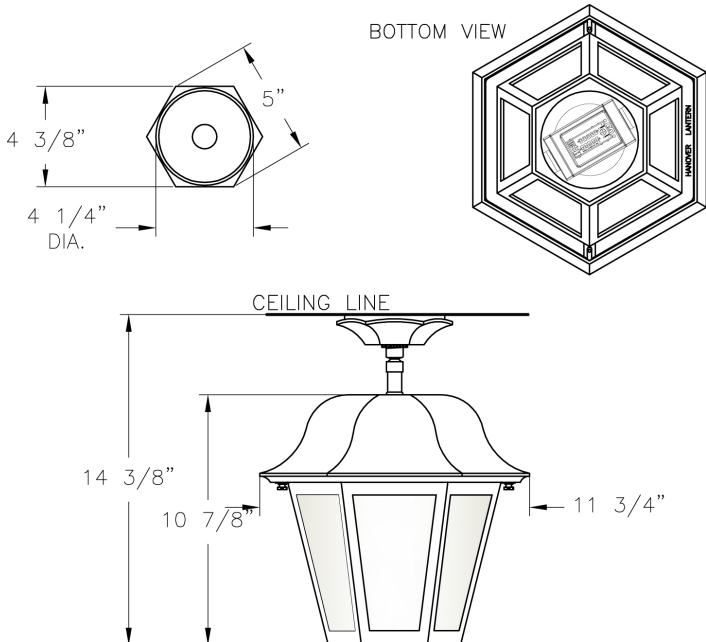


Medium Manor LED Ceiling Lantern (B4121LED) Specification Sheet

| | | |
|---------------|--------------|-----------------------|
| Project Name: | Location: | MFG: Philips Lighting |
| Fixture Type: | Catalog No.: | Qty: |



Ordering Guide

Example: B4121LED ABS B 4K

| Product Code | B4121LED | Medium Manor LED Ceiling Lantern |
|--------------------|--|---|
| Finish | ABS ACP ARD ASI BLK BRN BRZ FGN GRA IRN RBZ SRT VBZ VCP VGN VTC WBZ WHT | Antique Brass Antique Copper Antique Red Antique Silver Black Brown Bronze Forest Green Granite Ironstone Rustic Bronze Shadow Rust Verde Bronze Verde Copper Verde Vintage Copper Weathered Bronze White |
| Panel/Globe | B | Opal Acrylic (standard) |
| Lamping | 4K 3K | 4000K (Color Temp.) 3000K (Color Temp.) |

Specifications

CONSTRUCTION:

Cast aluminum hex ceiling canopy with painted brass hang straight and painted aluminum sleeve to match finish. Cast aluminum hex roof secured to cage with thumbscrews. Cast aluminum hex cage with open bottom.

FINISH:

Resilient TGIC thermoset polyester powdercoat paint is electrostatically applied to every fixture. Specially formulated for Philips Outdoor Lighting, it provides UV protection, and the highest temperature rating in the industry. In addition to the standard color choices shown, a spectrum of custom colors is available.

PANELS/LENS/GLOBE:

Set of Opal Acrylic panels are standard. (Other panels available, contact factory.)

LAMPING:

4,000K (4K) color temperature or 3,000K (3K). Lumileds Rebel LEDs (1) 10 up board (100 lumens per watt each LED) on aluminum core PCB. Cast aluminum heat sink with sealed lens.

BALLAST:

Smart select electronic 25 watts, 300MA, 36-volt driver 120-277 VAC; 50-60 Hz; auto sensing with internal 6kv surge protection.

ELECTRICAL ASSEMBLY:

Fixture is pre-wired with 18 AWG black, white, and ground wires.

MOUNTING:

See template for dimensions & mounting instructions.

WARRANTY:

Five Year Limited Warranty

Height:

14 3/8"

Width:

11 3/4"