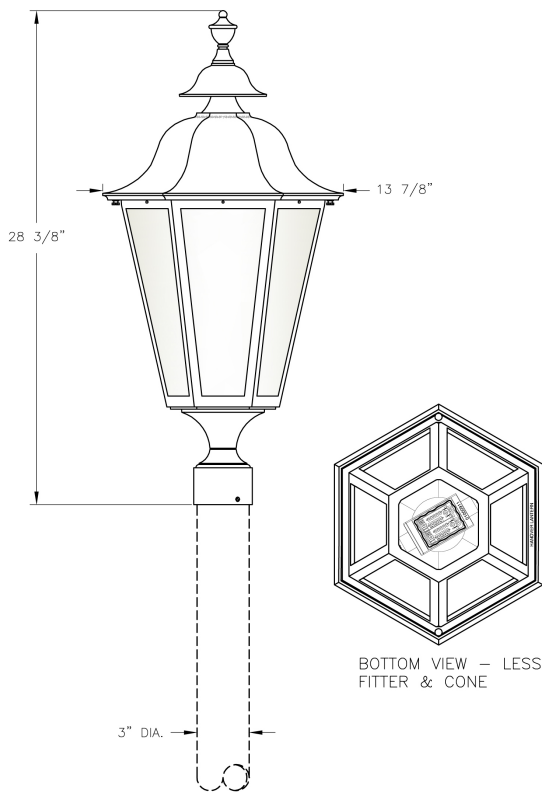


# Large Manor LED Post Mount (B5530LED) Specification Sheet

Project Name:	Location:	MFG: Philips Lighting
Fixture Type:	Catalog No.:	Qty:



## Ordering Guide

Example: B5530LED ABS B 4K

Product Code	B5530LED	Large Manor LED Post Mount
<b>Finish</b>	ABS ACP ARD ASI BLK BRN BRZ FGN GRA IRN RBZ SRT VBZ VCP VGN VTC WBZ WHT	Antique Brass Antique Copper Antique Red Antique Silver Black Brown Bronze Forest Green Granite Ironstone Rustic Bronze Shadow Rust Verde Bronze Verde Copper Verde Vintage Copper Weathered Bronze White
<b>Panel/Globe</b>	B	Opal Acrylic (standard)
<b>Lamping</b>	4K 3K	4000K (Color Temp.) 3000K (Color Temp.)

## Specifications

### CONSTRUCTION:

Cast aluminum finial and roof cap. Cast aluminum hex roof secured to cage with thumbscrews. Cast aluminum hex cage with cone bottom. Cast aluminum fitter secures to 3" dia. post or tenon. (Post must be ordered separately.)

### FINISH:

Resilient TGIC thermoset polyester powdercoat paint is electrostatically applied to every fixture. Specially formulated for Philips Outdoor Lighting, it provides UV protection, and the highest temperature rating in the industry. In addition to the standard color choices shown, a spectrum of custom colors is available.

### PANELS/LENS/GLOBE:

Set of Opal Acrylic panels are standard. (Other panels available, contact factory.)

### LAMPING:

4,000K (4K) color temperature or 3,000K (3K). Single heat sink containing 2 ten-up boards (20 LED's). 24.61 total watts consumed. 786 total delivered lumens.

### BALLAST:

Smart select electronic 25 watts, 700MA, 36-volt driver 120-277 VAC; 50-60 Hz; auto sensing with internal 6kv surge protection.

### ELECTRICAL ASSEMBLY:

Fixture is pre-wired with 18 AWG black, white, and ground wires. Lantern will be prewired and tested. All electrical components are ETL listed.

### MOUNTING:

See template for dimensions & mounting instructions.

### WARRANTY:

Five Year Limited Warranty

### Height:

28 3/8"

# Large Manor LED Post Mount (B5530LED) Specification Sheet

Project Name:

Location:

MFG: Philips Lighting

Fixture Type:

Catalog No.:

Qty:

**Width:**

13 7/8"