



Type No. _____

Job Name _____

Catalog No. _____

Connected Load (A) _____



FLTC20

Shown: FLTC20

Overall Characteristics

- 120 through 277 VAC, 50/60 Hz universal input 20A lighting load rating
- Normal and alternate power indicator lights
- Test switch
- Wall mount enclosure (9"x6"x3.5"d) contains all switching and control components
- UL listed for field installation in indoor and damp locations, -4°F (-20°C) to 131°F (55°C)
- UL 924 emergency lighting equipment
- UL 1008 transfer switch equipment
- C22.2 No. 178 automatic transfer switch

Application

- Conference rooms
- Classrooms
- Auditoriums
- Exterior egress

Ordering Information

SERIES
FLTC20

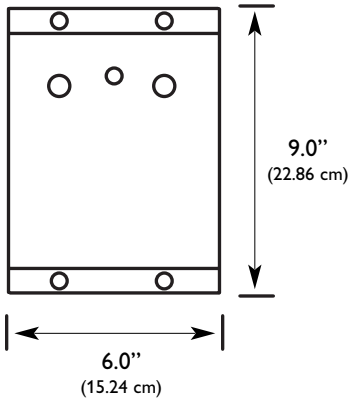
Operation

- The FLTC20 used with an emergency power source allows independent control of luminaires during normal power conditions by means of a wall switch, photocell, occupancy sensor, etc. Yet with the loss of normal power, the connected luminaires will be powered by the emergency source regardless of the pre-existing state of the normal power control device. Additionally, the FLTC20 will isolate luminaires from a dimming panel allowing full illumination in the event of normal power loss and even includes an auxiliary dry contact for interface with dimming controls. Refer to FLTC20 installation instructions for details of typical applications.

Warranty

- The FLTC20 is warranted for five (5) full years from date of purchase. This warranty covers only properly installed emergency lighting relay control devices used under normal conditions. For the warranty period, LightGuard will, at its option, repair or replace without charge a defective device, provided it is returned to the factory transportation prepaid and our inspection determines it to be defective under the terms of the warranty. Repair or replacement, as stated above, shall constitute the purchaser's exclusive warranty, which does not extend to transportation, installation, labor or any other charges; nor does it apply to any equipment of another manufacturer used in conjunction with the device.

Dimensions



Application Diagram

