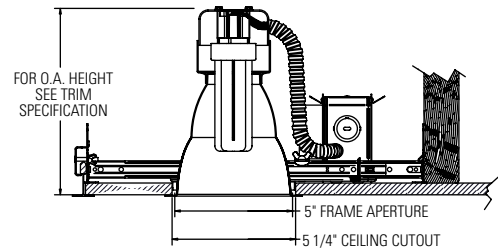
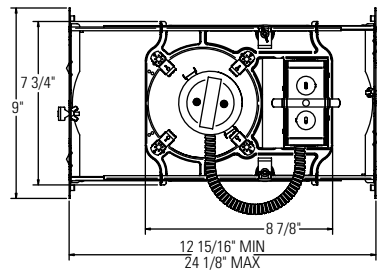
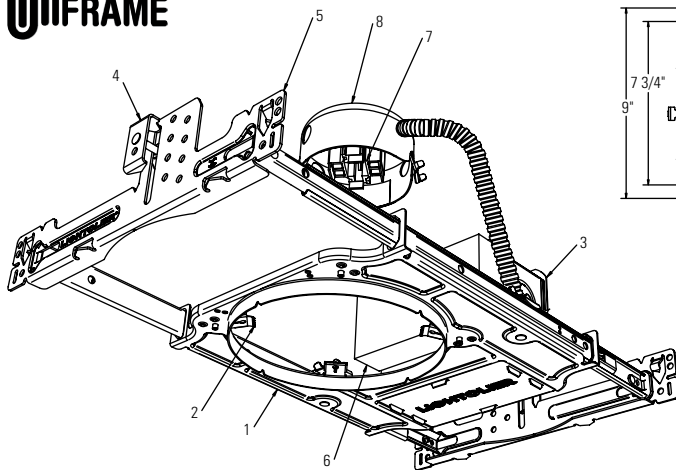


Project: \_\_\_\_\_  
 Location: \_\_\_\_\_  
 Cat.No: \_\_\_\_\_  
 Type: \_\_\_\_\_  
 Lamps: \_\_\_\_\_ Qty: \_\_\_\_\_  
 Notes: \_\_\_\_\_



Complete Fixture consists of Frame-In Kit and Reflector Trim. Select each separately.

Uniframe™ Frame-In Kit	Uniframe™ Compact Fluorescent Performance Series Reflector Trims								
	Vertical Open	Vertical Wall Wash - Single	Vertical Wall Wash - Double	Horizontal Open	Horizontal Wall Wash - Single	Horizontal Wet Location Lensed / Diffused			Horizontal Cross Blade
<b>1001FD26MX1</b> (Advance Mark10 – 120v) 26w Triple, GX24q-3 Base 120v – 0.26amp max	1001CL 1001CD 1001WH	1001CLSW 1001CDSW 1001WHWSW	1001CLDW 1001CDDW 1001WHDW	1001HCL 1001HCD 1001HWH	1001HCLSW 1001HCDSW 1001HWHSW	Clear Lens 1001HCLC 1001HCDC 1001HWHC	Fresnel 1001HCLF 1001HCDF 1001HWHF	Opal Lens 1001HCL0 1001HCDO 1001HWHO	1001HACB 1001HWHCB
<b>1001FD26MX2</b> (Advance Mark10 – 277v) 26w Triple, GX24q-3 Base 277v – 0.11amp max									
<b>1001FD13M7U</b> (Advance Mark7 – 120/277v) 13w Triple, GX24q-3 Base 120v – 0.14amp max 277v – 0.07amp max									
<b>1001FD18M7U</b> (Advance Mark7 – 120/277v) 18w Triple, GX24q-3 Base 120v – 0.18amp max 277v – 0.09amp max									
<b>1001FD26M7U</b> (Advance Mark7 – 120/277v) 26w Triple, GX24q-3 Base 120v – 0.26amp max 277v – 0.11amp max									
<b>Universal Series Reflector Trims</b> (Not all lampping compatible. Reference Trim Spec Sheet)									
	Performance Cone	Cone	Satin Cone	Baffle	Wall Wash	Wet Location			
	1013CFL 1013CDCFL	1012* 1013* 1013BK* 1013WH 1013CD* 1071 1045 1046 1046CD	1008* 1010*	1005* 1005BNM 1005WH 1076 1076WH	1035 1035WH 1085 1095 1096 1096CD	1024 1078			

\*Add NM suffix to catalog number for Natural Metal flange and finish.

# 1001FDM Uniframe CFL 5"

## 1 Light Non-IC Frame (dimmable)

### Features

- 1. Mounting Frame:** .036" (#20ga.) Galvanized Steel. Accommodates all ceilings up to 1-1/2" thick; including existing or inaccessible areas.
- 2. Trim Clips:** "Push In / Twist Out" Stainless Steel clips hold reflector flush to ceiling.
- 3. Junction Box:** 2" x 4" x 3-1/2" (22cu.in.) .032" (#22ga.) galvanized steel. UL Listed for maximum of 8 (#12ga.) through branch circuit conductors.
- 4. UniFrame™ Mounting System – Grid Ceiling:** Tool free mounting in grid ceilings. .036" (20ga.) Galvanized Steel interlocking slide bars adjust to 24-1/8" long accommodating 24" O.C. Ceiling Grid. Adjustable speed clamps for positive attachment to grid ceiling systems.
- 5. UniFrame™ Mounting System – Wood Joist Ceiling:** Integral nailing tabs, alignment guides, fastener holes and bendable strapping guides for wood joist installation. Galvanized Steel interlocking slide bars adjust from 12-15/16" to 24-1/8" long to accommodate 16" and 24" O.C. joist spacing, with or without strapping.
- 6. Ballast:** 120V – 277V UL Listed Electronic Ballast, end of lamp life protection, class "P" thermally protected, class "A" sound rating.
- 7. Socket:** Four-pin base, molded thermoplastic socket, prewired with No. 18 AWM leads to ballast.
- 8. Socket Housing:** .036" (#20ga.) Galvanized Steel housing attaches to reflector trim by spring clip for precise optic alignment.

### Accessories

1967B Extra Thick Ceiling Adapter (2" thk)

### Labels

**cULus Listed.** Suitable for Damp Locations.

