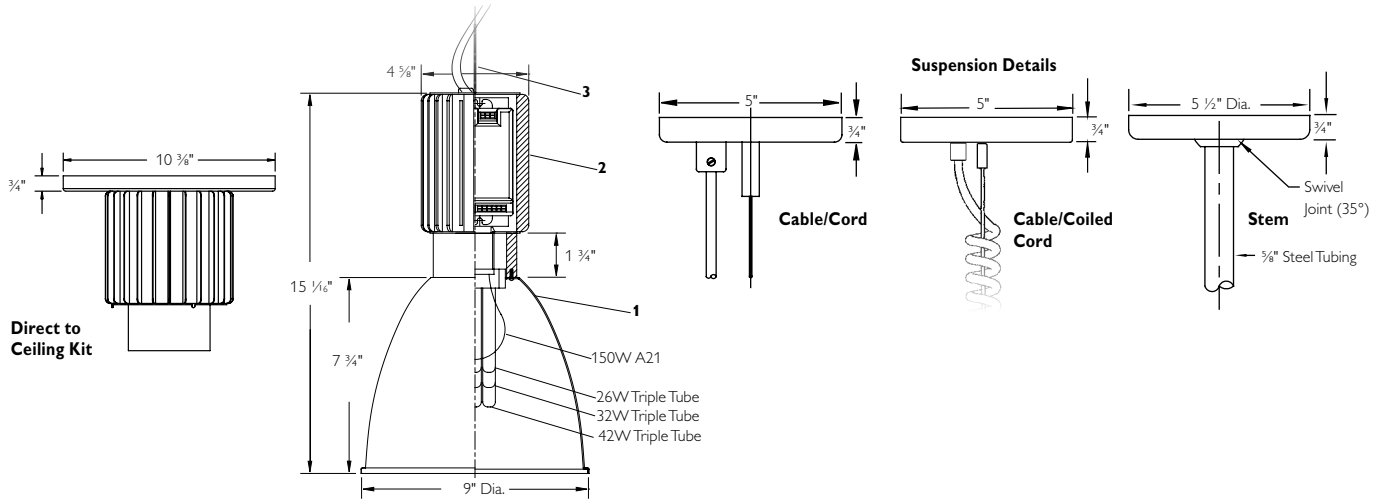


40471U

Decorative, Pendalyte 9" Pendant

Page 1 of 5



Power Head (Finish Powder Coated Textured Dark Grey or Titanium)

Catalog No.	Color	Lamp	Watts	Volts	Volts
4046151	Gray	Incandescent A21	150	120	Not App.
4046151TM	Titanium				
40471U3	Gray	CFL Triple Tube	26/32/42	120/277	MX1, MX2, DA, E3
40471U3TM	Titanium				
40471T39EU	Gray	CMH T6 G12 Base	39	120/277	N/A
40471T39EUTM	Titanium				

Complete Unit Consists of: Power Head, Reflector or Glass Shade & Suspension (order each separately)

Remove U or U3 from Cat. No. and add Suffix

Note: for CFL unit with integrated Emergency Battery Pack (EM) Option refer to Spec Sheet number P-EM for Cat. No. ordering guide and specification data

Optional Extension Kits

Catalog No.	Color	Description
404EXT300*	Gray	25" Extension Cable/Cord Kits
404EXTB*	Black	
404SG5**	Gray	120" 5-wire Straight Cord
404SB5**	Black	
404EXT300G5**	Gray	5-wire, 25' Cord/Cable
404EXT300B5**	Black	

* Use with Standard Cord or Deco Suspension Kits.

** DALI requires a 5-wire Suspension

9" Power Head Options (add Suffix to Cat. No.)

MX1	Mark X Dimming 26/32/42W, 120V only*
MX2	Mark X Dimming 26/32/42W, 277V only*
E3	347V (Canada)
DA	DALI (Digital Addressable lighting Interface)**

* 2-wire, neutral connection required at dimming control.

** 5-wire Suspension Kit required.

Job Information Type:

Job Name:

Cat. No.:

Notes:

40471U

Decorative, Pendalyte 9" Pendant

Page 2 of 5

Suspension

Catalog No.	Color	Description
404SKG 404SKB	Gray Black	Cable/Straight Cord and Coil Cord 120" Length
404S36 404S36B	Gray Black	36" Length 5/8" Stem
404S60 404S60B	Gray Black	60" Length 5/8" Stem
404S120	Gray	120" Length 5/8" Stem
4912CTCGR 4912CTCTM	Gray Titanium	Direct to Ceiling Kit, Std. 9" Pendalyte

Features

- Reflector:** 16 gauge high purity anodized aluminum or pressed colored glass with inner white frit.
- Power Head Housing:** Two-piece extruded aluminum. Removable door allows for ease of installation and servicing. Dark Grey or Titanium baked enamel powder coat finish .
- Suspension:** Cable/Cord: 1/16" Stainless Steel/SJT 18-3, Grey or Black.
Cable/Coiled Cord: 1/16" Stainless Steel/SJT 18-3, Grey or Black. Stem: 5/8" Steel Tubing and Canopy, with 35° swivel hanger, Grey or Black finish.

Lamping (by others)

Incandescent: 150W max. A-21

Compact Fluorescent:

General Electric	Osram/Sylvania	Philips
(1) 26W Triple Tube 4-Pin (Amalgam) Compact Fluorescent Lamp		
F26TBX/*A/4P	CF26DT/E/IN/*	PL-T26W/*/4P
(1) 32W Triple Tube 4-Pin (Amalgam) Compact Fluorescent Lamp		
F32TBX/*A/4P	CF32DT/E/IN/*	PL-T32W/*/4P
(1) 42W Triple Tube 4-Pin (Amalgam) Compact Fluorescent Lamp		
F42TBX/*A/4P	CF42DT/E/IN/*	PL-T42W/*/4P

* Manufacturers' color temperature designation.

Reflector/Glass Shade

Cat. No.	Description
40411	Semi Specular Anodized Reflector
40413	Satin & Anodized Reflector
409WH	White Glass Shade
409BL	Cobalt Blue Glass Shade
409AB	Amber Glass Shade

Electrical

Lampholders: Incandescent: Medium Base, Porcelain, Nickel Plated Screw-Shell Compact Fluorescent: 4-Pin, 26/32 watt base: GX24q-3; 42 watt base: GX24q-4

Ballasts: Fluorescent: Electronic

	26 Watt		32 Watt		42 Watt	
Voltage	120	277	120	277	120	277
Total Input Watts	-26	-26	-36	-36	-47	-47
Max. Line Current (Amps)	.22	.09	.30	.09	.39	.17

Power Factor > 0.98, Ballast Factor 0.98, THD < 10%
Minimum Starting Temperature 0°F

Labels

cULus Listed. Suitable for Damp Locations.

Job Information	Type:
-----------------	-------

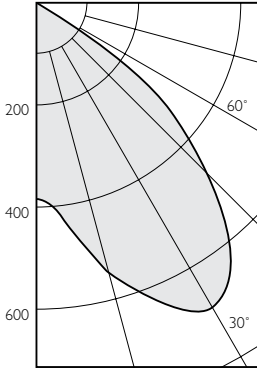
PHILIPS
Day-Brite

PHILIPS
CFI

Decorative, Pendalyte 9" Pendant

0599FR

9" Dia. Semi Specular Finish Reflector, Cat.# 40411
32W PLT Triple Tube, Lumen Rating = 2400 Lms.



Zonal Lumens and Percentages			
Zone	Lumens	% Lamp	%Luminaire
0-30	499	20.81	32.20
0-40	911	37.97	58.75
0-60	1501	62.54	96.78
0-90	1551	64.63	100.00
40-90	639	26.66	41.25
60-90	49	2.08	3.22
90-180	0	.00	.00
0-180	1551	64.63	100.00

** Efficiency = 64.6% **

Candlepower Summary

Angle	Mean CP	LMS.
0	386	
5	408	40
10	467	
15	549	154
20	608	
25	668	306
30	696	
35	668	412
40	589	
45	487	375
50	374	
55	243	215
60	98	
65	24	39
70	12	
75	7	8
80	4	
85	2	3
90	1	

Tested According to IES Procedures. Test Distance
Exceeds Five Times the Greatest Luminous
Opening of Luminaire.

Multiple Units (32W Triple Tube, CFL)

Spacing on Center	Height to Lighted Plane	Initial Foot-candles	Watts Per Sq. Ft.
6'	6'	47	1.00
	12'	43	
8'	6'	26	0.56
	12'	24	
10'	6'	17	0.36
	12'	15	

Based on 60" x 60" room with 80% ceiling cavity, 50% wall and 20% floor reflectances. Height is from bottom of fixture to lighted plane

Illuminance (FC) Multipliers

For Incandescent:	For Compact Fluorescent:
100 Watt = 0.7	26 Watt = 0.7
150 Watt = 1.2	42 Watt = 1.3

Certified test report# 0599FR
Computed by LSI program
TEST-LITE SC = 1.9
Prepared For: Lightolier
Fall River, MA

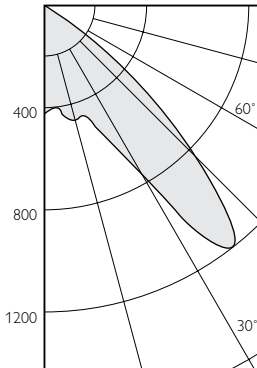
Coefficients of Utilization

Ceiling	80%			70%			50%			30%			10%			0%	
	50	30	10	50	30	10	50	30	10	50	30	10	50	30	0		
RCR	Zonal Cavity Method - Effective Floor Reflectance = 20%																
Room Cavity Ratio	1	.70	.68	.67	.69	.67	.65	.66	.65	.63	.64	.63	.62	.62	.61	.60	.59
	2	.64	.61	.58	.63	.60	.58	.61	.58	.56	.59	.57	.55	.57	.55	.54	.53
	3	.58	.54	.51	.57	.54	.51	.55	.52	.50	.54	.51	.49	.52	.50	.48	.47
	4	.53	.48	.45	.52	.48	.45	.51	.47	.44	.49	.46	.44	.48	.45	.43	.42
	5	.48	.43	.40	.47	.43	.39	.46	.42	.39	.45	.41	.39	.44	.41	.38	.37
	6	.43	.38	.35	.43	.38	.35	.41	.37	.34	.40	.37	.34	.40	.36	.34	.33
	7	.39	.34	.30	.38	.33	.30	.37	.33	.30	.36	.32	.30	.36	.32	.29	.28
	8	.35	.30	.26	.34	.30	.26	.33	.29	.26	.33	.29	.26	.32	.28	.26	.25
	9	.31	.26	.23	.31	.26	.23	.30	.26	.23	.29	.25	.23	.29	.25	.22	.21
	10	.28	.23	.20	.28	.23	.20	.27	.23	.20	.27	.22	.20	.27	.22	.20	.18

Determined In Accordance With Current IES Published Procedures
Luminaire Input Watts = 32.0

0598FR

9" Dia. Semi Specular Finish Reflector, Cat.# 40411
150W A21, Lumen Rating = 2800 Lms.



Zonal Lumens and Percentages			
Zone	Lumens	% Lamp	%Luminaire
0-30	442	15.81	22.90
0-40	1093	39.06	56.59
0-60	1913	68.32	98.97
0-90	1932	69.03	100.00
40-90	839	29.97	43.41
60-90	19	.71	1.03
90-180	0	.00	.00
0-180	1932	69.03	100.00

** Efficiency = 69.0% **

Candlepower Summary

Angle	Mean CP	LMS.
0	428	
5	410	40
10	430	
15	467	129
20	462	
25	556	273
30	787	
35	1096	651
40	1167	
45	806	628
50	465	
55	175	191
60	37	
65	15	18
70	6	
75	0	2
80	0	
85	0	0
90	0	

Tested According to IES Procedures. Test Distance
Exceeds Five Times the Greatest Luminous
Opening of Luminaire.

Multiple Units (32W Triple Tube, CFL)

Spacing on Center	Height to Lighted Plane	Initial Foot-candles	Watts Per Sq. Ft.
6'	6'	47	1.00
	12'	43	
8'	6'	26	0.56
	12'	24	
10'	6'	17	0.36
	12'	15	

Based on 60" x 60" room with 80% ceiling cavity, 50% wall and 20% floor reflectances. Height is from bottom of fixture to lighted plane

Illuminance (FC) Multipliers

For Incandescent:	For Compact Fluorescent:
100 Watt = 0.7	26 Watt = 0.7
150 Watt = 1.2	42 Watt = 1.3

Certified test report# 0599FR
Computed by LSI program
TEST-LITE SC = 2.1
Prepared For: Lightolier
Fall River, MA

Coefficients of Utilization

Ceiling	80%			70%			50%			30%			10%			0%	
	50	30	10	50	30	10	50	30	10	50	30	10	50	30	0		
RCR	Zonal Cavity Method - Effective Floor Reflectance = 20%																
Room Cavity Ratio	1	.75	.73	.71	.74	.72	.70	.71	.69	.68	.68	.67	.66	.66	.65	.64	.63
	2	.68	.65	.62	.67	.64	.61	.65	.62	.60	.63	.61	.59	.61	.59	.58	.56
	3	.62	.57	.54	.61	.57	.54	.59	.55	.53	.57	.54	.52	.56	.53	.51	.50
	4	.56	.51	.47	.55	.51	.47	.53	.50	.46	.52	.49	.46	.51	.48	.45	.44
	5	.50	.45	.41	.50	.45	.41	.48	.44	.41	.47	.43	.40	.46	.43	.40	.39
	6	.45	.39	.36	.44	.39	.35	.43	.39	.35	.42	.38	.35	.41	.37	.35	.33
	7	.40	.34	.30	.39	.34	.30	.38	.33	.30	.37	.33	.30	.36	.32	.29	.28
	8	.35	.29	.26	.34	.29	.25	.34	.29	.25	.33	.28	.25	.32	.28	.25	.24
	9	.31	.25	.21	.30	.25	.21	.29	.25	.21	.29	.24	.21	.28	.24	.21	.20
	10	.27	.21	.18	.26	.21	.17	.26	.21	.17	.25	.20	.17	.24	.20	.17	.16

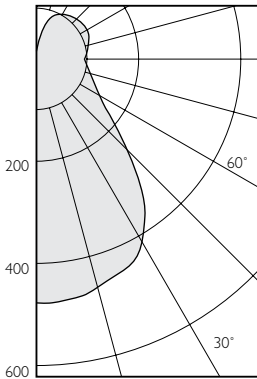
Determined In Accordance With Current IES Published Procedures
Luminaire Input Watts = 150.0

Job Information Type:

Decorative, Pendalyte 9" Pendant

1416FR

9" Dia. White Glass Reflector, Cat.# 4167U3CCWH
32W PLT Triple Tube, Lumen Rating = 2400 Lms.



Angle	Mean CP	LMS.	Angle	Mean CP	LMS.
0	478		90	94	
5	478	46	95	99	108
10	474		100	104	
15	465	132	105	108	114
20	453		110	110	
25	444	204	115	112	111
30	419		120	113	
35	373	232	125	113	101
40	315		130	112	
45	256	199	135	110	85
50	202		140	107	
55	164	150	145	104	65
60	142		150	99	
65	127	127	155	94	43
70	117		160	85	
75	110	116	165	70	19
80	104		170	46	
85	97	107	175	20	2
90	94		180	8	

Zone	Lumens	% Lamp	%Luminaire
0-30	380	15.86	19.41
0-40	612	25.54	31.25
0-60	962	40.12	49.08
0-90	1313	54.73	66.95
40-90	700	29.19	35.71
60-90	350	14.61	17.88
90-180	648	27.01	33.05
0-180	1961	81.74	100.00

** Efficiency = 81.7% **

Tested According to IES Procedures. Test Distance
Exceeds Five Times the Greatest Luminous
Opening of Luminaire.

Multiple Units (32W Triple Tube, CFL)

Spacing on Center	Height to Lighted Plane	Initial Foot-candles	Watts Per Sq. Ft.
6'	6' 12'	18 16	1.00
8'	6' 12'	10 9	0.56
10'	6' 12'	7 6	0.36

Based on 60" x 60" room with 80% ceiling cavity, 50% wall and 20% floor reflectances. Height is from bottom of fixture to lighted plane

Illuminance (FC) Multipliers

For Incandescent:	For Compact Fluorescent:
100 Watt = 0.7	26 Watt = 0.7
150 Watt = 1.2	42 Watt = 1.3

Certified test report# 1416FR
Computed by LSI program
TEST-LITE SC = 1.9
Prepared For: Lightolier
Fall River, MA

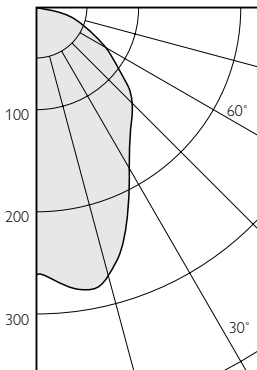
Coefficients of Utilization

Ceiling	80%			70%			50%			30%			10%			0%	
	50	30	10	50	30	10	50	30	10	50	30	10	50	30	0		
Wall	Zonal Cavity Method - Effective Floor Reflectance = 20%																
RCR	Zonal Cavity Method - Effective Floor Reflectance = 20%																
Room Cavity Ratio	1	.77	.73	.70	.73	.69	.66	.64	.62	.59	.57	.55	.53	.49	.48	.47	.43
	2	.67	.62	.57	.63	.58	.54	.56	.52	.49	.49	.46	.44	.43	.41	.39	.36
	3	.59	.53	.48	.56	.50	.45	.50	.45	.41	.44	.40	.37	.38	.36	.33	.30
	4	.53	.46	.40	.50	.44	.39	.44	.39	.35	.39	.35	.32	.35	.31	.29	.26
	5	.47	.40	.35	.45	.38	.34	.40	.35	.31	.35	.31	.28	.31	.28	.25	.23
	6	.42	.36	.31	.40	.34	.29	.36	.31	.27	.32	.28	.25	.29	.25	.22	.20
	7	.39	.32	.27	.37	.30	.26	.33	.28	.24	.29	.25	.22	.26	.23	.20	.18
	8	.35	.29	.24	.33	.27	.23	.30	.25	.21	.27	.23	.20	.24	.21	.18	.16
	9	.32	.26	.22	.31	.25	.21	.28	.23	.19	.25	.21	.18	.22	.19	.16	.15
	10	.30	.24	.19	.28	.23	.19	.26	.21	.18	.23	.19	.16	.21	.17	.15	.13

Determined In Accordance With Current IES Published Procedures

1419FR

9" Dia. Blue Glass Reflector, Cat.# 4187U3CCWH
32W PLT Triple Tube, Lumen Rating = 2400 Lms.



Candlepower Summary

Angle	Mean CP	LMS.
0	258	
5	267	25
10	277	
15	269	75
20	244	
25	211	98
30	182	
35	161	102
40	145	
45	133	102
50	115	
55	92	84
60	76	
65	62	62
70	49	
75	35	38
80	25	
85	14	15
90	2	

Zone	Lumens	% Lamp	%Luminaire
0-30	198	8.27	33.04
0-40	300	12.52	50.00
0-60	486	20.27	80.93
0-90	601	25.05	100.00
40-90	300	12.52	50.00
60-90	114	4.78	19.07
90-180	0	.00	.00
0-180	601	25.05	100.00

** Efficiency = 25.0% **

Tested According to IES Procedures. Test Distance
Exceeds Five Times the Greatest Luminous
Opening of Luminaire.

Multiple Units (32W Triple Tube, CFL)

Spacing on Center	Height to Lighted Plane	Initial Foot-candles	Watts Per Sq. Ft.
6'	6' 12'	18 16	1.00
8'	6' 12'	10 9	0.56
10'	6' 12'	7 6	0.36

Based on 60" x 60" room with 80% ceiling cavity, 50% wall and 20% floor reflectances. Height is from bottom of fixture to lighted plane

Illuminance (FC) Multipliers

For Incandescent:	For Compact Fluorescent:
100 Watt = 0.7	26 Watt = 0.7
150 Watt = 1.2	42 Watt = 1.3

Certified test report# 1419FR
Computed by LSI program
TEST-LITE SC = 1.9
Prepared For: Lightolier
Fall River, MA

Coefficients of Utilization

Ceiling	80%			70%			50%			30%			10%			0%	
	50	30	10	50	30	10	50	30	10	50	30	10	50	30	0		
Wall	Zonal Cavity Method - Effective Floor Reflectance = 20%																
RCR	Zonal Cavity Method - Effective Floor Reflectance = 20%																
Room Cavity Ratio	1	.27	.26	.25	.26	.25	.24	.25	.24	.24	.24	.23	.23	.23	.23	.22	.22
	2	.24	.22	.21	.23	.22	.21	.22	.21	.20	.22	.21	.20	.21	.20	.19	.19
	3	.21	.19	.18	.21	.19	.18	.20	.19	.17	.19	.18	.17	.19	.18	.17	.16
	4	.19	.17	.16	.19	.17	.16	.18	.17	.15	.18	.16	.15	.17	.16	.15	.14
	5	.17	.15	.14	.17	.15	.14	.16	.15	.13	.16	.14	.13	.16	.14	.13	.13
	6	.16	.14	.12	.15	.13	.12	.15	.13	.12	.15	.13	.12	.14	.13	.12	.11
	7	.14	.12	.11	.14	.12	.11	.14	.12	.11	.13	.12	.11	.13	.12	.10	.10
	8	.13	.11	.10	.13	.11	.10	.12	.11	.09	.12	.11	.09	.12	.10	.09	.09
	9	.12	.10	.09	.12	.10	.09	.11	.10	.09	.11	.10	.08	.11	.09	.08	.08
	10	.11	.09	.08	.11	.09	.08	.11	.09	.08	.10	.09	.08	.10	.09	.08	.07

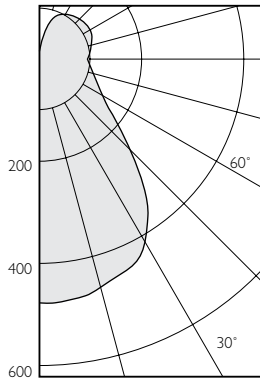
Determined In Accordance With Current IES Published Procedures

Job Information Type:

Decorative, Pendalyte 9" Pendant

1415FR

9" Dia. Amber Glass Reflector, Cat.# 4167U3CCAB
32W PLT Triple Tube, Lumen Rating = 2400 Lms.



Candlepower Summary

Angle	Mean CP	LMS.
0	345	
5	344	33
10	345	
15	344	97
20	341	
25	339	155
30	320	
35	281	175
40	232	
45	180	140
50	130	
55	94	87
60	71	
65	54	55
70	41	
75	28	30
80	18	
85	7	9
90	0	

Zonal Lumens and Percentages

Zone	Lumens	% Lamp	%Luminaire
0-30	285	11.88	36.50
0-40	460	19.18	58.91
0-60	687	28.65	87.99
0-90	781	32.56	100.00
40-90	321	13.38	41.09
60-90	93	3.91	12.01
90-180	0	.00	.00
0-180	781	32.56	100.00

** Efficiency = 32.6% **

Tested According to IES Procedures. Test Distance
Exceeds Five Times the Greatest Luminous
Opening of Luminaire.

Multiple Units (32W Triple Tube, CFL)

Spacing on Center	Height to Lighted Plane	Initial Foot-candles	Watts Per Sq. Ft.
6'	6'	23	1.00
	12'	21	
8'	6'	13	0.56
	12'	12	
10'	6'	9	0.36
	12'	8	

Based on 60" x 60" room with 80% ceiling cavity, 50% wall and 20% floor reflectances. Height is from bottom of fixture to lighted plane

Illuminance (FC) Multipliers

For Incandescent:	For Compact Fluorescent:
100 Watt = 0.7	26 Watt = 0.7
150 Watt = 1.2	42 Watt = 1.3

Certified test report# 1415FR
Computed by LSI program
TEST-LITE SC = 1.9
Prepared For: Lightolier
Fall River, MA

Coefficients of Utilization

Ceiling	80%			70%			50%			30%			10%			0%
	50	30	10	50	30	10	50	30	10	50	30	10	50	30	0	
Wall	Zonal Cavity Method - Effective Floor Reflectance = 20%															
RCR	Zonal Cavity Method - Effective Floor Reflectance = 20%															
Room Cavity Ratio	1	.35	.34	.33	.34	.33	.32	.33	.32	.31	.32	.31	.30	.31	.30	.29
	2	.32	.30	.28	.31	.30	.28	.30	.29	.28	.29	.28	.27	.28	.27	.26
	3	.29	.27	.25	.28	.26	.25	.27	.26	.24	.26	.25	.24	.26	.24	.23
	4	.26	.24	.22	.26	.24	.22	.25	.23	.22	.24	.23	.21	.24	.22	.21
	5	.24	.21	.19	.23	.21	.19	.23	.21	.19	.22	.20	.19	.22	.20	.19
	6	.22	.19	.17	.21	.19	.17	.21	.19	.17	.20	.18	.17	.20	.18	.17
	7	.20	.17	.15	.19	.17	.15	.19	.17	.15	.18	.17	.15	.18	.16	.15
	8	.18	.16	.14	.18	.15	.14	.17	.15	.14	.17	.15	.14	.17	.15	.14
	9	.16	.14	.12	.16	.14	.12	.16	.14	.12	.16	.14	.12	.15	.13	.12
	10	.15	.13	.11	.15	.13	.11	.15	.12	.11	.14	.12	.11	.14	.12	.11

Determined In Accordance With Current IES Published Procedures



Philips Lightolier
e: lol.webmaster@philips.com
t: (508) 679-8131
w: www.lightolier.com
40471U May 28, 2014

Specifications are subject to change without notice.
© Koninklijke Philips Electronics N.V., 2010. All rights reserved.

Job Information Type: