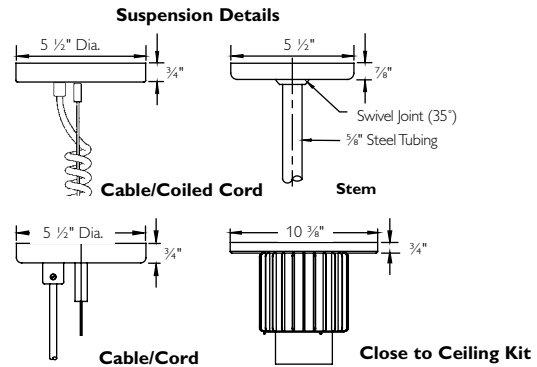
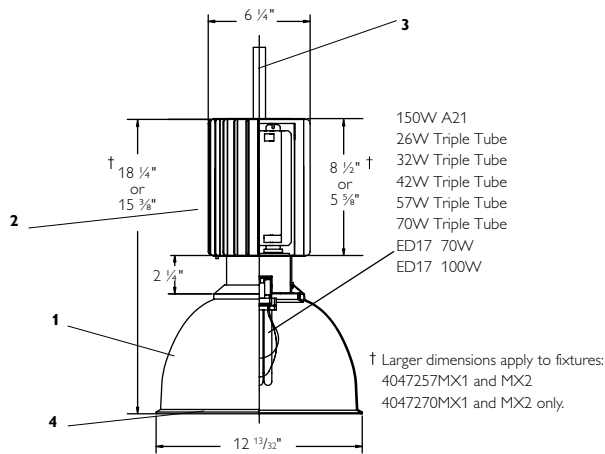


# 40472U

## Decorative, Pendalyte 12" Pendant

Page 1 of 4



**Complete Unit Consists of:** Power Head, Reflector or Glass Shade & Suspension (order each separately)  
Power Head Finish: Powder Coated Textured Dark Grey or Titanium

Catalog No.	Lamp	Watts	Volts	Options*
4046261	Incandescent A21	150	120	Not App.
40472U3	CFL Triple Tube	26/32/42	120/277V	MX1, MX2, DA, E3
4047270EU	Metal Halide ED17	70 (Open Rated)	120/277V	N/A
40472100EU	Metal Halide ED17	100 (Open Rated)	120/277V	N/A

\*Remove U or U3 from Cat. No. and add Suffix  
Note: for CFL unit with integrated Emergency Battery Pack (EM) Option refer to Spec Sheet number P-EM for Cat. No. ordering guide and specification data

### Optional Extension Kits

Catalog No.	Color	Description
404EXT300*	Gray	25" Extension Cable/Cord Kit
404EXT300G5**	Gray	5-Wire Kit, 25' Cord/Cable

\* Use with Standard Cord or Deco Suspension Kits.  
\*\* DALI requires a 5-wire Suspension Kit.

### Suspension

Catalog No.	Color	Description
404SKG	Gray	120" Length Cable/Cord + Coil Cord
404SG5*	Gray	120" Length 5-wire Straight Cable/Cord Only
404S36	Gray	36" Length 5/8" Stem
404S60	Gray	60" Length 5/8" Stem
404S120	Gray	120" Length 5/8" Stem

### 9" Power Head Options (add Suffix to Cat. No.)

<b>MX1</b>	Mark X Dimming 26/32/42W, 120V only*
<b>MX2</b>	Mark X Dimming 26/32/42W, 277V only*
<b>E3</b>	347V (Canada)
<b>DA</b>	DALI (Digital Addressable lighting Interface)**

\* 2-wire, neutral connection required at dimming control.  
\*\* 5-wire Suspension Kit required.

### Direct to Ceiling Kits

Cat. No.	Color	Description
4912CTGR	Gray	All 9", 12" and 16" Pendalytes

### Track Mounting Kits

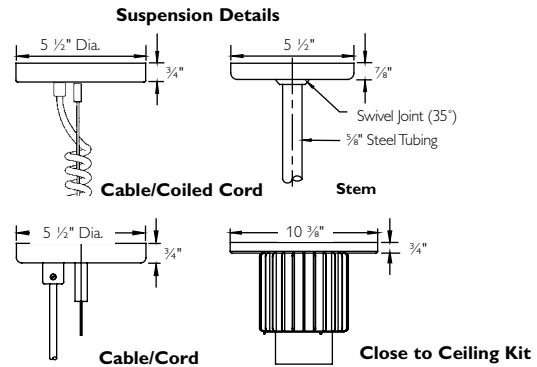
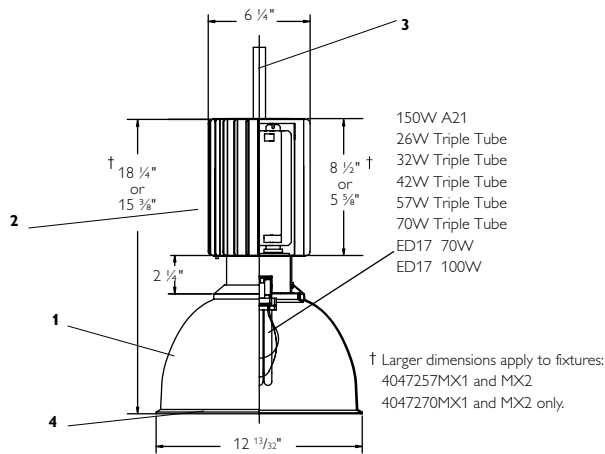
Cat. No.	Color	Description
404GLS	Gray	Lytespan Track Mounting Kit

### Reflector/Refractor Options

Cat. No.	Description	Used With
421G	Industrux Glass Lens	40421
422A	Flat Arylic Lens	40422
422G	Industrux Glass Lens	40422
404TRM12	12" Trim Ring	40422/40421

Job Information	Type:
Job Name:	
Cat. No.:	
Notes:	

## Decorative, Pendalyte 12" Pendant



### Features

- Reflector/Reflector:** Injection Molded Acrylic, UV Stabilized. Semi-specular High purity Anodized Aluminum, 16 gauge iridescence-free.
- Power Head Housing:** Two-piece extruded aluminum. Removable door allows for ease of installation and servicing. Dark Gray textured powder coat finish.
- Suspension:** Cable/Cord: 1/16" Stainless Steel/SJT 18-3, Gray. Cable/Coiled Cord: 1/16" Stainless Steel/SJT 18-3, Gray. Gray Canopy. Stem: 3/4" steel tubing an canopy, with 35° swivel hanger. Gray Finish.
- Shielding Options:** Industrex® Glass Lens or Clear Acrylic Lens

### Lamping (by others)

#### Compact Fluorescent:

General Electric	Osram/Sylvania	Philips
(1) 26W Triple Tube 4-Pin (Amalgam) Compact Fluorescent Lamp		
F26TBX*/A/4P	CF26DT/E/IN/*	PL-T26W*/4P
(1) 32W Triple Tube 4-Pin (Amalgam) Compact Fluorescent Lamp		
F32TBX*/A/4P	CF32DT/E/IN/*	PL-T32W*/4P
(1) 42W Triple Tube 4-Pin (Amalgam) Compact Fluorescent Lamp		
F42TBX*/A/4P	CF42DT/E/IN/*	PL-T42W*/4P

#### Metal Halide:

General Electric	Osram/Sylvania	Philips
(1) 70W Ceramic Metal Halide ED17 Lamp		
MXR70/C/U/MED/0	MCP70/C/U/MED/*	MHC70/C/U/MP*
(1) 100W Ceramic Metal Halide ED17 Lamp		
MXR100/C/U/MED/0	MCP100/C/U/MED/*	MHC100/C/U/MP*

\* Manufacturers' color temperature designation.

### Electrical

#### Lampholders:

**Compact Fluorescent:** 4-pin, 26/32 watt base: GX24q-3;

42 watt base: GX24q-4;

**Incandescent:** Medium Base, porcelain, Nickel Plated Screw Shell.

**Metal Halide:** Medium Base, Porcelain 4KV pulse rated.

**Ballast:** Fluorescent: Electronic

	26 Watt		32 Watt		42 Watt	
Voltage	120	277	120	277	120	277
Total Input Watts	26	26	36	36	47	47
Max. Line Current (Amps)	.22	.09	.30	.09	.39	.17

Power Factor > 0.98, Ballast Factor 0.98, THD < 10%

Minimum Starting Temperature 0°F

#### Metal Halide: Electronic

	70 Watt		100 Watt	
Voltage	120	277	120	277
Total Input Watts	78	78	110	110
Max. Line Current (Amps)	.67	.29	.94	.42

High power factor minimum ballast temperature +5°F.

### Labels

cULus Listed. Suitable for Damp Locations.

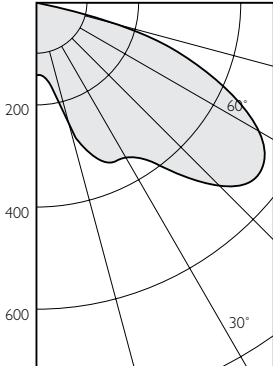
Industrex is a registered trademark of AFG Industries, Inc.

Job Information	Type:
-----------------	-------

## Decorative, Pendalyte 12" Pendant

### 0555FR

1 1/2" Dia. Semi Specular Finish Reflector,  
Cat.# 40421, 32W PLT Triple Tube,  
Lumen Rating = 2400 Lms.



#### Candlepower Summary

Angle	Mean CP	LMS.
0	142	
5	146	14
10	172	
15	256	71
20	323	
25	344	158
30	351	
35	381	244
40	438	
45	502	385
50	548	
55	549	482
60	504	
65	413	403
70	295	
75	171	183
80	55	
85	5	18
90	2	

#### Zonal Lumens and Percentages

Zone	Lumens	% Lamp	%Luminaire
0-30	243	10.14	12.42
0-40	487	20.30	24.86
0-60	1354	56.44	69.12
0-90	1959	81.65	100.00
40-90	1472	61.35	75.14
60-90	605	25.21	30.88
90-180	0	.00	.00
0-180	1959	81.65	100.00

\*\* Efficiency = 81.6% \*\*

Tested According to IES Procedures.  
Test Distance Exceeds Five Times  
the Greatest Luminous  
Opening of Luminaire.

#### Multiple Units (32W Triple Tube, CFL)

Spacing on Center	Height to Lighted Plane	Initial Foot-candles	Watts Per Sq. Ft.
6'	6' 12'	56 48	1.00
8'	6' 12'	32 27	0.56
10'	6' 12'	20 17	0.36

Based on 60" x 60" room with 80% ceiling cavity, 50% wall and 20% floor reflectances. Height is from bottom of fixture to lighted plane

#### Illuminance (FC) Multipliers

For Incandescent:	For Compact Fluorescent:	For Metal Halide:
100 Watt = 0.7 150 Watt = 1.2	26 Watt = 0.7 42 Watt = 1.3	70 Watt = 2.2 100 Watt = 3.5

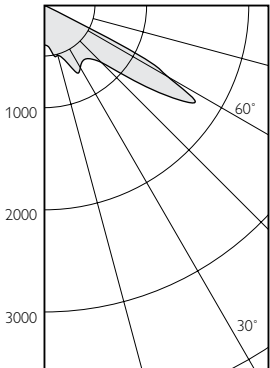
Certified test report# 0555FR  
Computed by LSI program  
\*\*TEST-LITE\*\* SC = 3.3  
Prepared For: Lightolier  
Fall River, MA

#### Coefficients of Utilization

Ceiling	70%			50%			30%			10%			0%			
	50	30	10	50	30	10	50	30	10	50	30	0				
Wall	Zonal Cavity Method - Effective Floor Reflectance = 20%															
RCR	Zonal Cavity Method - Effective Floor Reflectance = 20%															
Room Cavity Ratio	1	.84	.80	.77	.82	.79	.76	.79	.76	.73	.76	.73	.71	.69	.67	
	2	.72	.66	.61	.70	.65	.60	.67	.63	.59	.65	.61	.57	.62	.59	.56
	3	.61	.54	.48	.60	.53	.48	.58	.52	.47	.55	.50	.46	.53	.49	.45
	4	.53	.45	.39	.52	.45	.39	.50	.43	.38	.48	.42	.38	.46	.41	.37
	5	.46	.37	.31	.45	.37	.31	.43	.36	.31	.41	.35	.30	.39	.34	.30
	6	.39	.31	.25	.38	.31	.25	.37	.30	.25	.35	.29	.24	.34	.28	.24
	7	.34	.26	.20	.33	.25	.20	.32	.25	.20	.30	.24	.19	.29	.24	.19
	8	.30	.22	.17	.29	.22	.17	.28	.21	.16	.27	.21	.16	.26	.20	.16
	9	.27	.19	.14	.26	.19	.14	.25	.18	.14	.24	.18	.13	.23	.17	.13
	10	.24	.16	.12	.23	.16	.11	.22	.16	.11	.21	.15	.11	.21	.15	.11

### 0595FR

1 1/2" Dia. Semi Specular Reflector,  
Cat.# 40421, 70W ED-17 M.H. Lamp,  
Lumen Rating = 4800 Lms.



#### Candlepower Summary

Angle	Mean CP	LMS.
0	375	
5	385	39
10	481	
15	511	144
20	532	
25	694	308
30	743	
35	663	429
40	663	
45	784	638
50	1061	
55	1602	1297
60	1519	
65	608	746
70	273	
75	113	142
80	38	
85	17	23
90	13	

#### Zonal Lumens and Percentages

Zone	Lumens	% Lamp	%Luminaire
0-30	491	10.23	13.04
0-40	920	19.17	24.43
0-60	2855	59.49	75.80
0-90	3766	78.47	100.00
40-90	2846	59.30	75.57
60-90	911	18.99	24.20
90-180	0	.00	.00
0-180	3766	78.47	100.00

\*\* Efficiency = 78.5% \*\*

Tested According to IES Procedures.  
Test Distance Exceeds Five Times  
the Greatest Luminous  
Opening of Luminaire.

#### Multiple Units (32W Triple Tube, CFL)

Spacing on Center	Height to Lighted Plane	Initial Foot-candles	Watts Per Sq. Ft.
6'	6' 12'	56 48	1.00
8'	6' 12'	32 27	0.56
10'	6' 12'	20 17	0.36

Based on 60" x 60" room with 80% ceiling cavity, 50% wall and 20% floor reflectances. Height is from bottom of fixture to lighted plane

#### Illuminance (FC) Multipliers

For Incandescent:	For Compact Fluorescent:	For Metal Halide:
100 Watt = 0.7 150 Watt = 1.2	26 Watt = 0.7 42 Watt = 1.3	70 Watt = 2.2 100 Watt = 3.5

Certified test report# 0595FR  
Computed by LSI program  
\*\*TEST-LITE\*\* SC = 3.5  
Prepared For: Lightolier  
Fall River, MA

#### Coefficients of Utilization

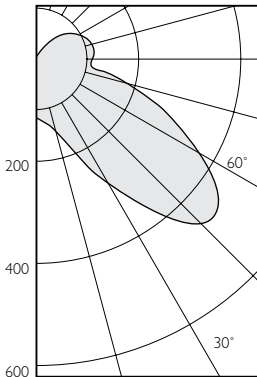
Ceiling	70%			50%			30%			10%			0%				
	50	30	10	50	30	10	50	30	10	50	30	0					
Wall	Zonal Cavity Method - Effective Floor Reflectance = 20%																
RCR	Zonal Cavity Method - Effective Floor Reflectance = 20%																
Room Cavity Ratio	1	.91	.86	.82	.87	.82	.78	.79	.76	.73	.72	.69	.67	.65	.63	.61	.58
	2	.77	.70	.64	.74	.67	.62	.67	.62	.57	.61	.57	.53	.55	.52	.49	.46
	3	.66	.57	.51	.63	.55	.49	.57	.51	.45	.52	.47	.42	.47	.43	.39	.36
	4	.57	.48	.41	.54	.46	.39	.49	.42	.37	.44	.39	.34	.40	.35	.31	.28
	5	.48	.39	.32	.46	.37	.31	.42	.34	.29	.38	.32	.27	.34	.29	.25	.22
	6	.41	.32	.25	.39	.31	.24	.36	.28	.23	.32	.26	.21	.29	.23	.19	.16
	7	.35	.26	.20	.34	.25	.19	.30	.23	.17	.27	.21	.16	.24	.19	.14	.12
	8	.31	.22	.16	.30	.21	.15	.27	.19	.14	.24	.17	.13	.21	.16	.12	.09
	9	.28	.19	.13	.26	.18	.13	.24	.17	.12	.21	.15	.10	.19	.13	.09	.07
	10	.25	.16	.11	.23	.16	.11	.21	.14	.10	.19	.13	.09	.17	.11	.08	.06

**Job Information Type:**

## Decorative, Pendalyte 12" Pendant

### 0556FR

1 1/2" Dia. Clear Acrylic Reflector, Cat.# 40422  
32W PLT Triple Tube, Lumen Rating = 2400 Lms.



#### Candlepower Summary

Angle	Mean CP	LMS.	Angle	Mean CP	LMS.
0	115		90	117	
5	120	11	95	121	133
10	132		100	121	
15	147	42	105	118	125
20	168		110	112	
25	216	100	115	104	103
30	270		120	95	
35	332	208	125	85	76
40	398		130	74	
45	458	355	135	61	47
50	485		140	44	
55	463	415	145	28	18
60	407		150	17	
65	338	336	155	11	5
70	273		160	9	
75	210	222	165	8	2
80	130		170	8	
85	115	125	175	7	1
90	117		180	7	

#### Zonal Lumens and Percentages

Zone	Lumens	% Lamp	%Luminaire
0-30	153	6.39	6.59
0-40	361	15.07	15.56
0-60	1131	47.16	48.70
0-90	1814	75.60	78.05
40-90	1452	60.53	62.49
60-90	682	28.43	29.36
90-180	510	21.25	21.95
0-180	2324	96.85	100.00

\*\* Efficiency = 96.9% \*\*

Tested According to IES Procedures. Test Distance  
Exceeds Five Times the Greatest Luminous  
Opening of Luminaire.

#### Multiple Units (32W Triple Tube, CFL)

Spacing on Center	Height to Lighted Plane	Initial Foot-candles	Watts Per Sq. Ft.
6'	6'	62	1.00
	12'	53	
8'	6'	35	0.56
	12'	30	
10'	6'	22	0.36
	12'	19	

#### Illuminance (FC) Multipliers

For Incandescent:	For Compact Fluorescent:	For Metal Halide:
100 Watt = 0.7	26 Watt = 0.7 42 Watt = 1.3	70Watt = 2.2

Certified test report# 0556FR  
Computed by LSI program  
\*\*TEST-LITE\*\* SC = 3.3  
Prepared For: Lightolier  
Fall River, MA

Based on 60" x 60" room with 80% ceiling cavity,  
50% wall and 20% floor reflectances. Height is  
from bottom of fixture to lighted plane

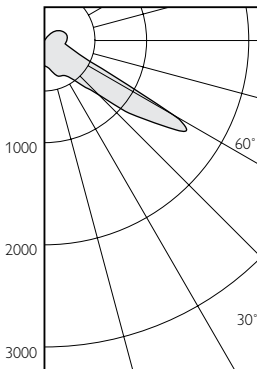
#### Coefficients of Utilization

Ceiling	70%			50%			30%			10%			0%				
	50	30	10	50	30	10	50	30	10	50	30	0					
Wall	Zonal Cavity Method - Effective Floor Reflectance = 20%																
RCR	Zonal Cavity Method - Effective Floor Reflectance = 20%																
Room Cavity Ratio	1	.93	.88	.83	.88	.84	.80	.80	.77	.73	.73	.70	.67	.66	.64	.62	.58
	2	.79	.71	.65	.75	.68	.62	.68	.62	.57	.62	.57	.53	.56	.52	.49	.45
	3	.67	.58	.51	.64	.56	.49	.58	.51	.46	.52	.47	.42	.47	.43	.39	.36
	4	.58	.48	.41	.55	.47	.40	.50	.43	.37	.45	.39	.34	.41	.36	.32	.29
	5	.50	.40	.33	.48	.39	.32	.43	.35	.30	.39	.32	.28	.35	.30	.25	.23
	6	.43	.34	.27	.41	.32	.26	.37	.30	.24	.33	.27	.22	.30	.24	.20	.18
	7	.37	.28	.22	.36	.27	.21	.32	.24	.19	.29	.22	.17	.26	.20	.16	.13
	8	.33	.24	.18	.31	.23	.17	.28	.21	.16	.26	.19	.14	.23	.17	.13	.11
	9	.29	.21	.15	.28	.20	.14	.25	.18	.13	.23	.16	.12	.20	.15	.10	.08
	10	.26	.18	.12	.25	.17	.12	.22	.15	.11	.20	.14	.09	.18	.12	.08	.06

Determined In Accordance With Current IES Published Procedures  
Luminaire Input Watts = 32.0

### 0594FR

1 1/2" Dia. Clear Acrylic Reflector, Cat.# 40422  
70W ED-17 M.H. Lamp, Lumen Rating = 4800 Lms.



#### Candlepower Summary

Angle	Mean CP	LMS.	Angle	Mean CP	LMS.
0	244		90	210	
5	252	24	95	220	238
10	266		100	223	
15	304	87	105	220	231
20	348		110	213	
25	371	172	115	201	199
30	397		120	186	
35	449	290	125	167	149
40	555		130	145	
45	744	605	135	117	90
50	1081		140	85	
55	1479	1223	145	51	34
60	1413		150	29	
65	508	680	155	20	10
70	312		160	17	
75	235	259	165	16	5
80	199		170	16	
85	202	222	175	15	1
90	210		180	15	

#### Zonal Lumens and Percentages

Zone	Lumens	% Lamp	%Luminaire
0-30	282	5.89	6.26
0-40	573	11.94	12.69
0-60	2400	50.01	53.12
0-90	3561	74.20	78.82
40-90	2988	62.26	66.13
60-90	1161	24.19	25.70
90-180	957	19.94	21.18
0-180	4518	94.14	100.00

\*\* Efficiency = 94.1% \*\*

Tested According to IES Procedures. Test Distance  
Exceeds Five Times the Greatest Luminous  
Opening of Luminaire.

#### Multiple Units (32W Triple Tube, CFL)

Spacing on Center	Height to Lighted Plane	Initial Foot-candles	Watts Per Sq. Ft.
6'	6'	62	1.00
	12'	53	
8'	6'	35	0.56
	12'	30	
10'	6'	22	0.36
	12'	19	

#### Illuminance (FC) Multipliers

For Incandescent:	For Compact Fluorescent:	For Metal Halide:
100 Watt = 0.7	26 Watt = 0.7 42 Watt = 1.3	70Watt = 2.2

Certified test report# 0594FR  
Computed by LSI program  
\*\*TEST-LITE\*\* SC = 3.7  
Prepared For: Lightolier  
Fall River, MA

Based on 60" x 60" room with 80% ceiling cavity,  
50% wall and 20% floor reflectances. Height is  
from bottom of fixture to lighted plane

#### Coefficients of Utilization

Ceiling	70%			50%			30%			10%			0%				
	50	30	10	50	30	10	50	30	10	50	30	0					
Wall	Zonal Cavity Method - Effective Floor Reflectance = 20%																
RCR	Zonal Cavity Method - Effective Floor Reflectance = 20%																
Room Cavity Ratio	1	.91	.86	.82	.87	.82	.78	.79	.76	.73	.72	.69	.67	.65	.63	.61	.58
	2	.77	.70	.64	.74	.67	.62	.67	.62	.57	.61	.57	.53	.55	.52	.49	.46
	3	.66	.57	.51	.63	.55	.49	.57	.51	.45	.52	.47	.42	.47	.43	.39	.36
	4	.57	.48	.41	.54	.46	.39	.49	.42	.37	.44	.39	.34	.40	.35	.31	.28
	5	.48	.39	.32	.46	.37	.31	.42	.34	.29	.38	.32	.27	.34	.29	.25	.22
	6	.41	.32	.25	.39	.31	.24	.36	.28	.23	.32	.26	.21	.29	.23	.19	.16
	7	.35	.26	.20	.34	.25	.19	.30	.23	.17	.27	.21	.16	.24	.19	.14	.12
	8	.31	.22	.16	.30	.21	.15	.27	.19	.14	.24	.17	.13	.21	.16	.12	.09
	9	.28	.19	.13	.26	.18	.13	.24	.17	.12	.21	.15	.10	.19	.13	.09	.07
	10	.25	.16	.11	.23	.16	.11	.21	.14	.10	.19	.13	.09	.17	.11	.08	.06



Philips Lightolier  
e: lol.webmaster@philips.com  
t: (508) 679-8131  
w: www.lightolier.com

40472U May 28, 2014

Specifications are subject to change without notice.  
© Koninklijke Philips Electronics N.V., 2010. All rights reserved.

### Job Information Type: