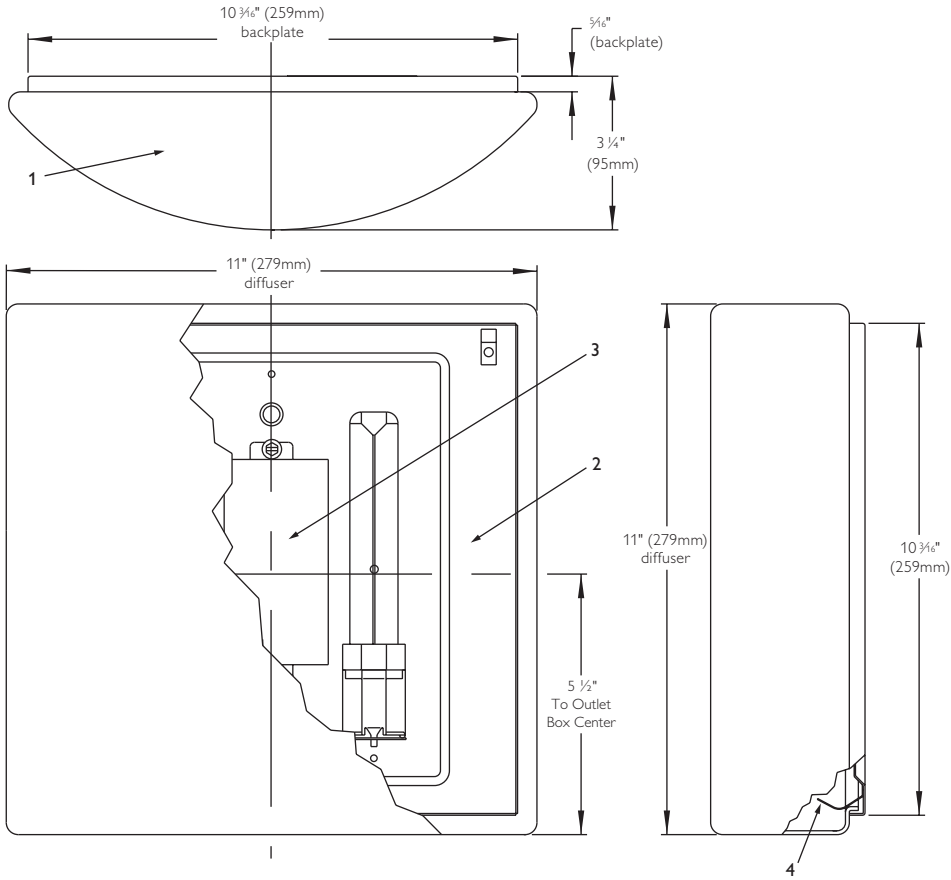


40600U

Decorative, Quadro, Wall Mount CFL



Ordering Information:

| Catalog No. | Finish | Lamps | Width | Height | Extension | Ballast | Line Voltage |
|-------------|--------|-------------------------|-------|--------|-----------|---------------------|--------------|
| 40600U | white | (2) 13W Quad Tube 4-pin | 11" | 11" | 3 1/4" | 1 -2 Lt. Electronic | 120V/277V |

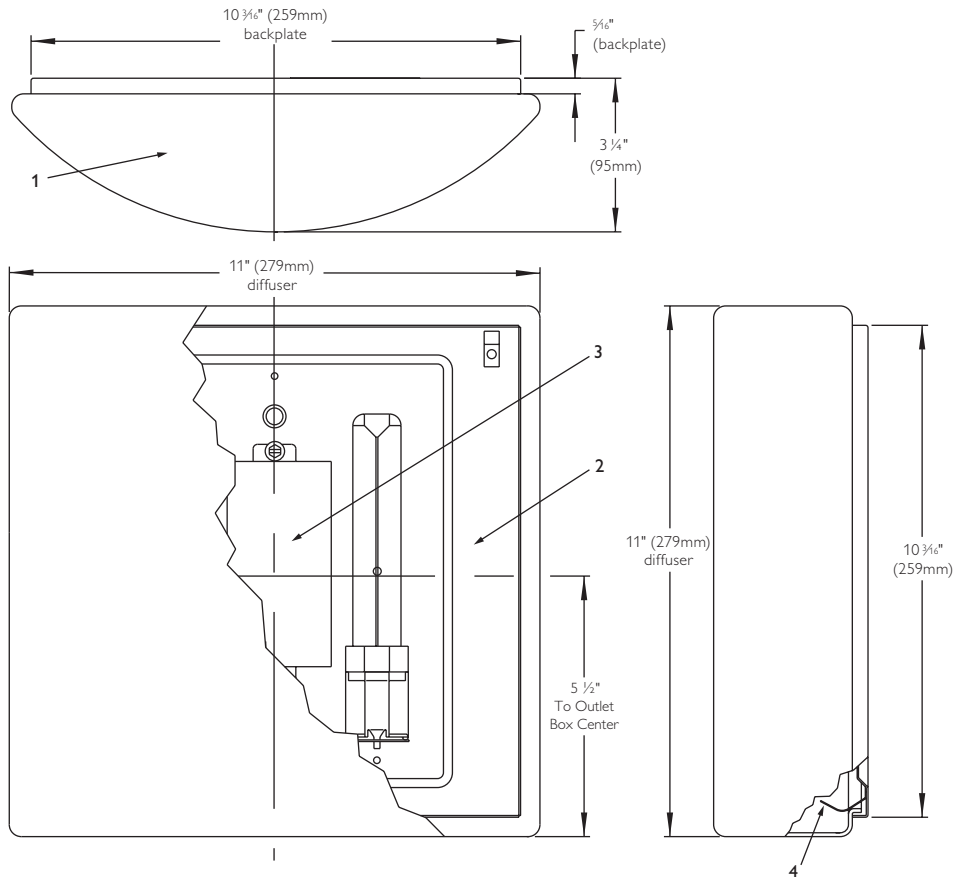
| | |
|------------------------|--------------|
| Job Information | Type: |
| Job Name: | |
| Cat. No.: | |
| Notes: | |



40600U

Decorative, Quadro, Wall Mount CFL

Page 2 of 3



Features

1. **Diffuser:** One piece translucent white acrylic. Removable by pulling diffuser away from (4) diffuser clips.
2. **Backplate:** Die formed 20 ga. steel. Semi-gloss white finish.
3. **Ballast(s):** Electronic 120/277V. See chart on pg. 1 for electrical specifications.
4. **Diffuser Clips:** (4) .02 thick spring steel, zinc plated.

Lamping

Compact Fluorescent: 13W Quad Tube 4-pin, G24q-1 base

| | | |
|------------------|----------------|--------------|
| General Electric | Osram/Sylvania | Philips |
| F13 DBX/SPX*/4P | CF13DD/E/* | PL-C13W/*/4P |

*Manufacturers' color temperature designation.

Mounting

Fixtures is provided with a mounting plate suitable for direct mounting to most outlet boxes.

Electrical

Lampholders: Compact Fluorescent: 4-pin, G24q-1 base

Ballasts: Electronic 120V/277V

| | |
|---------------------------------|-------------|
| Total Input Watts | 30 |
| Max. Line Current (amps) | .25 / 0.11 |
| Power Factor | >.97 |
| Ballast Factor | >.98 |
| THD | <10% |
| Min. Starting Temps. | -18°C (0°F) |

Labels

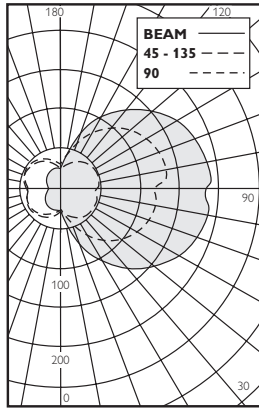
UL listed. Suitable for damp locations, I.B.E.W.

| | |
|------------------------|--------------|
| Job Information | Type: |
|------------------------|--------------|

PHILIPS
LIGHTOLIER

Decorative, Quadro, Wall Mount CFL

Decorative Quadro Wall Fixture, 11 X 11 X 3 1/4", 2-13W Twin Tube Compact Fluorescent Lamps,
Lumen Rating = 900 Lumens, Osram Dulux S F13TT/27K



Luminance Summary - CD. / Sq. M.

| Angle | Along | 45 | Across |
|-------|-------|-------|--------|
| 45 | 835 | 1733 | 2558 |
| 55 | 1067 | 2398 | 3601 |
| 65 | 1453 | 3509 | 5364 |
| 75 | 2306 | 5952 | 9238 |
| 85 | 6438 | 17409 | 27413 |

Certified Test Report
No: 2646FR
Computed by LSI Program
TEST-LITE
Date: August 13, 1993
Prepared for
Lightolier, Secaucus, NJ

Candlepower summary

| Angle | Along | 22.5 | 45 | 67.5 | Across | Lumens |
|-------|-------|------|-----|------|--------|--------|
| 0 | 29 | 29 | 29 | 29 | 29 | |
| 5 | 30 | 31 | 32 | 34 | 34 | 2 |
| 15 | 34 | 39 | 47 | 56 | 59 | 7 |
| 25 | 39 | 48 | 64 | 81 | 89 | 15 |
| 35 | 43 | 57 | 81 | 105 | 116 | 25 |
| 45 | 46 | 64 | 95 | 126 | 141 | 37 |
| 55 | 48 | 69 | 107 | 144 | 161 | 47 |
| 65 | 48 | 72 | 115 | 157 | 176 | 57 |
| 75 | 47 | 73 | 120 | 166 | 186 | 63 |
| 85 | 44 | 70 | 118 | 165 | 186 | 64 |
| 90 | 44 | 71 | 118 | 164 | 185 | |
| 95 | 47 | 87 | 133 | 174 | 190 | 68 |
| 105 | 48 | 86 | 131 | 170 | 185 | 66 |
| 115 | 49 | 84 | 126 | 162 | 176 | 60 |
| 125 | 48 | 78 | 115 | 147 | 160 | 50 |
| 135 | 46 | 71 | 102 | 129 | 140 | 38 |
| 145 | 42 | 61 | 85 | 107 | 115 | 26 |
| 155 | 37 | 50 | 66 | 81 | 87 | 15 |
| 165 | 32 | 39 | 47 | 55 | 58 | 7 |
| 175 | 28 | 29 | 31 | 32 | 32 | 1 |
| 180 | 27 | 27 | 27 | 27 | 27 | |

Zonal Lumens and Percentages

| Zone | Lumens | %Lamp | %Luminaire |
|--------|--------|-------|------------|
| 0-30 | 35 | 2.00 | 4.44 |
| 0-40 | 70 | 3.94 | 8.74 |
| 0-60 | 179 | 9.95 | 22.11 |
| 0-90 | 399 | 22.22 | 49.35 |
| 40-90 | 329 | 18.28 | 40.61 |
| 60-90 | 220 | 12.27 | 27.24 |
| 90-180 | 410 | 22.80 | 50.65 |
| 0-180 | 810 | 45.02 | 100.00 |

Efficiency = 45.0%

Corridor Lighting
Footcandles on Floor

| Height | 1' | 2' | 3' | 4' | 5' | 6' | 7' |
|--------|-----|-----|-----|-----|-----|-----|-----|
| 10' | 0.6 | 0.7 | 0.7 | 0.7 | 0.7 | 0.7 | 0.7 |
| 9' | 0.7 | 0.8 | 0.8 | 0.8 | 0.8 | 0.8 | 0.8 |
| 8' | 0.9 | 0.9 | 0.9 | 0.9 | 1.0 | 0.9 | 0.9 |
| 7' | 1.0 | 1.1 | 1.1 | 1.1 | 1.1 | 1.1 | 1.0 |
| 6' | 1.2 | 1.3 | 1.3 | 1.3 | 1.3 | 1.3 | 1.2 |
| 5' | 1.4 | 1.5 | 1.6 | 1.6 | 1.6 | 1.5 | 1.4 |
| 4' | 1.6 | 1.8 | 1.9 | 1.9 | 1.8 | 1.7 | 1.6 |
| 3' | 1.8 | 2.0 | 2.1 | 2.2 | 2.1 | 2.0 | 1.8 |
| 2' | 2.0 | 2.3 | 2.4 | 2.5 | 2.3 | 2.2 | 2.0 |
| 1' | 2.1 | 2.5 | 2.7 | 2.7 | 2.5 | 2.3 | 2.1 |
| 0' | 2.1 | 2.5 | 2.8 | 2.7 | 2.6 | 2.4 | 2.1 |

Luminaire

Footcandles values are initial.
Luminaire mounted 6'6" above floor.
Corridor is 8" wide by 8" high.
Room Reflectances:
80% Ceiling, 50% Walls, 20% Floor.
For multiple luminaires add together footcandles contributed by each luminaire at point(s) desired.

Tested according to IES procedures.
Test distance exceeds five times the greatest luminous opening of luminaire.



Philips Lightolier
e: lol.webmaster@philips.com
t: (508) 679-8131
w: www.lightolier.com
40600U June 7, 2011

Specifications are subject to change without notice.
© Koninklijke Philips Electronics N.V., 2011. All rights reserved.

Job Information Type: