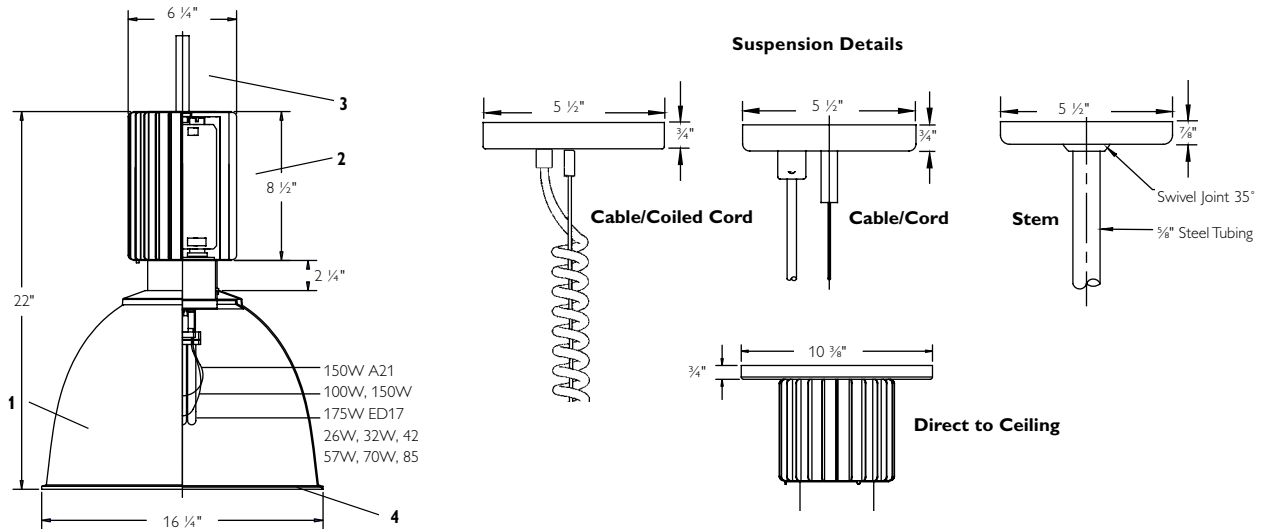


Project:	Catalog No:	Mfg:
Location:	Fixture Type:	Qty:
Notes:		Lamps:



### Power Head: Powder Coated Textured Dark Gray

Cat. No.	Lamp	Watts	Volts	Options
406371	Incandescent A21	150	120	Not App.
4073U3	CFL Triple Tube	26/32/42	120-277V	MX1, MX2, DA, E3
407370U	CFL Triple Tube	70	120-277V	MX1, MX2, E3
407385U	CFL Triple Tube	85	120-277V	Not App.
4083100EU	Metal Halide ED17 (Open Rated)	100	120-277V	N/A
4083150EU	Metal Halide ED17 (Open Rated)	150	120-277V	N/A

**Complete Unit Consists of:** Power Head, Reflector or Glass Shade & Suspension (order each separately)  
 Remove U or U3 from Cat. No. and add Suffix  
 Note: for CFL unit with integrated Emergency Battery Pack (EM) Option refer to Spec Sheet number P-EM for Cat. No. ordering guide and specification data

### Suspension

Catalog No.	Color	Description
404SKG	Gray	Cable/Straight Cord and Coil Cord 120" Length
404SG5	Gray	5-Wire Straight Cord/Cable
404S36	Gray	36" Length 5/8" Stem
404S60	Gray	60" Length 5/8" Stem
404S120	Gray	120" Length 5/8" Stem
4912CTCGR	Gray	Direct to Ceiling Kit
404GLS	Gray	Track Mounting Kit

### Reflector/Reflector

Cat. No.	Description
40431	Semi Specular, Anodized Reflector
40432	Acrylic Refractor

### Reflector/Reflector Options

Cat. No.	Description	Used With
431G	Industrex® Glass Lens	40431
432G	Industrex® Glass Lens	40432
432A	Flat Acrylic Lens	40432
404TRM16	16" Trim Ring	40431/4032

### 16" Power Head Options (add Suffix to Cat. No.)

Cat. No.	Description
MX1	Mark X Dimming 26/32/42W, 120V only*
MX2	Mark X Dimming 26/32/42W, 277V only*
E3	347V (Canada)
DA	DALI (Digital Addressable lighting Interface)**

\* 2-wire, neutral connection required at dimming control.  
 \*\* 5-wire Suspension Kit required.

### Optional Extension Kits

Catalog No.	Color	Description
404EXT300*	Gray	25' Extension Cable/Cord Kit
404EXT300G5**	Gray	25' 5-wire Extension Cable/Cord Kit

\* Use with Standard Cord or Deco Suspension Kits.  
 \*\* DALI requires a 5-wire Suspension

### Features

- 1. Reflector/Refractor:** Semi-specular high purity anodized aluminum, 16 gauge, iridescent-free finish. Refractor; injection molded acrylic, UV stabilized.
- 2. Power Head Housing:** Two-piece extruded aluminum. Removable door allows for ease of installation and servicing. Dark Gray textured powder coat finish.
- 3. Suspension:** Cable/Cord: 1/16" Stainless Steel/SJT 18-3, Grey or Black. Cable/Coiled Cord: 1/16" Stainless Steel/SJT 18-3, Grey or Black. Stem: 3/4" steel tubing and canopy with 35 degree swivel hanger, Grey-or Black Finish.
- 4. Shielding Options:** Industrex® Glass Lens or Acrylic Lens.

### Lamping (by others)

Compact Fluorescent:

General Electric	Osram/Sylvania	Philips
(1) 26W Triple Tube 4-Pin (Amalgam) CFL		
F26TBXJ*/A/4P	CF26DT/E/IN/*	PL-T26W*/4P
(1) 32W Triple Tube 4-Pin (Amalgam) CFL		
F32TBXJ*/A/4P	CF32DT/E/IN/*	PL-T32W*/4P
(1) 42W Triple Tube 4-Pin (Amalgam) CFL		
F42TBXJ*/A/4P	CF42DT/E/IN/*	PL-T42W*/4P
(1) 70W Triple Tube 4-Pin (Amalgam) CFL		
F70QBXJ*/A/4P/EOL	CF70DT/E/IN/*	N/A
(1) 85W Triple Tube 4-Pin (Amalgam) CFL		
N/A	N/A	PL-H85W*/4P

\* Manufacturers' color temperature designation.

Metal Halide:

General Electric	Osram/Sylvania	Philips
(1) 100W Ceramic Metal Halide ED17 Lamp		
MXR100/C/U/ MED/O	MCP100/C/U/ MED/*	MCH100/C/ UMP*
(1) 150W Ceramic Metal Halide ED17 Lamp		
MXR150/C/U/ MED/O	MCP150/C/U/ MED/*	MCH150/C/ UMP*

\* Manufacturers' color temperature designation.

### Electrical

Lampholders:

**Compact Fluorescent:** 4-Pin, 26/32 watt base:

GX24q-3; 42 watt base: GX24q-4; 70 watt base:

GX24q-6; 85 watt base: 2G8

**Incandescent:** Medium Base, Porcelain,

Nickel Plated Screw Shell

**Ballasts:** Fluorescent: Electronic

	26 Watt		32 Watt		42 Watt	
Voltage	120	277	120	277	120	277
Total Input Watts	26	26	36	36	47	47
Max. Line Current (Amps)	.22	.09	.30	.09	.39	.17

	70 Watt		85Watt	
Voltage	120	277	120	277
Total Input Watts	73	72	98	98
Max. Line Current (Amps)	.61	.27	.82	.36

Power Factor > 0.98, Ballast Factor 0.98, THD < 10%

Minimum Starting Temperature 0°F

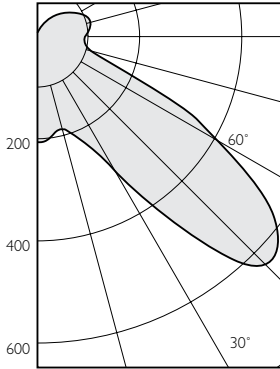
	100 Watt ANSI Code M-90		150 Watt ANSI Code M-102	
Voltage	120	277	120	277
Total Input Watts	110	110	167	167
Max. Line Current (Amps)	0.94	0.42	1.4	0.6

Minimum starting Temperature: +5°F

### Labels

cULus listed suitable for Damp Locations. Industrex is a registered trademark of AFG Industries, Inc.

### 0553FR



16 1/4" Dia. Clear Acrylic Reflector, Cat.# 40432  
32W PLT Triple Tube, Lumen Rating = 2400 Lms.

#### Candlepower Summary

Angle	Mean CP	LMS.	Angle	Mean	LMS.
0	211		90	101	
5	208	20	95	105	115
10	197		100	107	
15	190	54	105	105	112
20	208		110	101	
25	237	110	115	92	92
30	303		120	82	
35	413	259	125	71	63
40	555		130	60	
45	631	488	135	51	40
50	615		140	41	
55	536	481	145	30	19
60	411		150	21	
65	273	271	155	14	6
70	141		160	10	
75	106	112	165	7	2
80	98		170	7	
85	94	103	175	6	1
90	101		180	6	

Tested According to IES Procedures. Test Distance Exceeds Five Times the Greatest Luminous Opening of Luminaire.

#### Multiple Units (32W Triple Tube, CFL)

Spacing on Center	Height to Lighted Plane	Initial Foot-candles	Watts Per Sq. Ft.
6'	6'	64	1.00
	12'	55	
8'	6'	36	0.56
	12'	31	
10'	6'	23	0.36
	12'	20	

Based on 60" x 60" room with 80% ceiling cavity, 50% wall and 20% floor reflectances. Height is from bottom of fixture to lighted plane

#### Zonal Lumens and Percentages

Zone	Lumens	% Lamp	% Luminaire
0-30	183	7.65	7.82
0-40	443	18.46	18.87
0-60	1412	58.85	60.16
0-90	1898	79.09	80.85
40-90	1455	60.63	61.98
60-90	485	20.24	20.70
90-180	449	18.73	19.15
0-180	2347	97.82	100.00

\*\* Efficiency = 97.8% \*\*

#### Illuminance (FC) Multipliers

For Incandescent:	For Compact Fluorescent:	For Metal Halide:
100 Watt	26 Watt = 0.7	100 Watt
150 Watt	42 Watt = 1.3	150 Watt

Certified test report#

0553FR

Computed by LSI program

\*\*TEST-LITE\*\* SC = 2.8

Prepared For: Lightolier

Fall River, MA

#### Coefficients of Utilization

		CFL												32W Triple Tube											
		80%			70%			50%			30%			10%			0%								
Ceiling		50	30	10	50	30	10	50	30	10	50	30	10	50	30	0	50	30	0						
Wall		Zonal Cavity Method - Effective Floor Reflectance = 20%																							
RCR																									
Room Cavity Ratio	1	.96	.91	.87	.92	.88	.84	.84	.81	.78	.77	.75	.72	.71	.69	.67	.64								
	2	.83	.76	.70	.80	.73	.68	.73	.68	.63	.67	.63	.59	.62	.58	.55	.52								
	3	.72	.63	.57	.69	.61	.55	.63	.57	.52	.58	.53	.48	.53	.49	.45	.42								
	4	.62	.53	.47	.60	.52	.45	.55	.48	.43	.50	.45	.40	.46	.42	.38	.35								
	5	.54	.45	.38	.52	.43	.37	.48	.40	.35	.44	.37	.33	.40	.35	.31	.28								
	6	.47	.37	.31	.45	.36	.30	.41	.34	.28	.37	.31	.26	.34	.29	.25	.22								
	7	.40	.31	.25	.38	.30	.24	.35	.28	.22	.32	.26	.21	.29	.24	.19	.17								
	8	.35	.26	.20	.34	.25	.19	.31	.23	.18	.28	.22	.17	.26	.20	.16	.13								
	9	.31	.22	.16	.30	.21	.16	.27	.20	.15	.25	.18	.14	.22	.17	.12	.10								
	10	.27	.19	.13	.26	.18	.13	.24	.17	.12	.22	.15	.11	.20	.14	.10	.08								

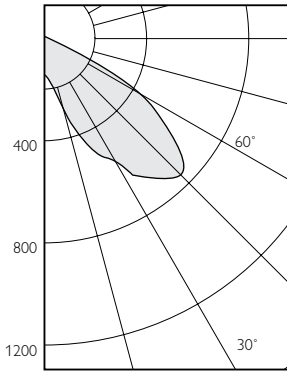
Determined In Accordance With Current IES Published Procedures

#### Coefficients of Utilization

		150W ED17 MH																	
		80%			70%			50%			30%			10%			0%		
Ceiling		50	30	10	50	30	10	50	30	10	50	30	10	50	30	0	50	30	0
Wall		Zonal Cavity Method - Effective Floor Reflectance = 20%																	
RCR																			
Room Cavity Ratio	1	.93	.89	.85	.90	.86	.82	.83	.80	.77	.76	.74	.72	.70	.68	.67	.63		
	2	.82	.75	.70	.78	.72	.68	.72	.68	.63	.67	.63	.60	.62	.59	.56	.53		
	3	.71	.63	.57	.68	.61	.56	.63	.57	.53	.58	.54	.50	.54	.50	.47	.44		
	4	.62	.54	.48	.60	.52	.46	.55	.49	.44	.51	.46	.42	.47	.43	.39	.37		
	5	.54	.46	.39	.52	.44	.38	.48	.42	.37	.45	.39	.35	.41	.37	.33	.30		
	6	.47	.39	.32	.45	.37	.31	.42	.35	.30	.39	.33	.28	.36	.31	.27	.24		
	7	.41	.32	.26	.39	.31	.25	.36	.29	.24	.33	.27	.22	.31	.25	.21	.19		
	8	.36	.27	.21	.36	.26	.21	.32	.25	.20	.29	.23	.18	.27	.21	.17	.15		
	9	.31	.23	.17	.30	.22	.17	.28	.21	.16	.26	.19	.15	.23	.18	.14	.12		
	10	.28	.20	.14	.26	.19	.14	.24	.18	.13	.22	.16	.12	.21	.15	.11	.09		

Determined In Accordance With Current IES Published Procedures

### 0552FR



16 1/4" Dia. Semi-Specular Finish Reflector, Cat.# 40431  
32W PLT Triple Tube, Lumen Rating = 2400 Lms.

#### Candlepower Summary

Angle	Mean CP	LMS.
0	142	
5	148	15
10	178	
15	285	81
20	395	
25	487	223
30	557	
35	635	401
40	728	
45	759	569
50	692	
55	568	498
60	393	
65	191	202
70	40	
75	8	16
80	3	
85	1	2
90	1	

Tested According to IES Procedures. Test Distance Exceeds Five Times the Greatest Luminous Opening of Luminaire.

#### Multiple Units (32W Triple Tube, CFL)

Spacing on Center	Height to Lighted Plane	Initial Foot-candles	Watts Per Sq. Ft.
6'	6'	59	1.00
	12'	53	
8'	6'	33	0.56
	12'	30	
10'	6'	21	0.36
	12'	19	

Based on 60" x 60" room with 80% ceiling cavity, 50% wall and 20% floor reflectances. Height is from bottom of fixture to lighted plane

#### Illuminance (FC) Multipliers

For Incandescent:	For Compact Fluorescent:	For Metal Halide:
100 Watt	26 Watt = 0.7	100 Watt
150 Watt	42 Watt = 1.3	150 Watt
		175 Watt = 6.5

#### Zonal Lumens and Percentages

Zone	Lumens	% Lamp	% Luminaire
0-30	318	13.27	15.88
0-40	719	29.99	35.88
0-60	1786	74.44	89.06
0-90	2006	83.58	100.00
40-90	1286	53.59	64.12
60-90	219	9.14	10.94
90-180	0	.00	.00
0-180	2006	83.58	100.00

\*\* Efficiency = 83.6% \*\*

#### Coefficients of Utilization

Ceiling	CFL																
	80%			70%			50%			30%			10%			0%	
Wall	50	30	10	50	30	10	50	30	10	50	30	10	50	30	0		
RCR																	
Zonal Cavity Method - Effective Floor Reflectance = 20%																	
Room Cavity Ratio	1	.89	.86	.83	.87	.84	.82	.84	.81	.79	.80	.79	.77	.78	.76	.75	.73
	2	.79	.74	.70	.78	.73	.69	.75	.71	.68	.72	.69	.66	.70	.67	.65	.63
	3	.69	.63	.58	.68	.62	.58	.66	.61	.57	.64	.59	.56	.62	.58	.55	.53
	4	.61	.54	.49	.60	.54	.49	.58	.52	.48	.56	.51	.49	.54	.50	.47	.45
	5	.54	.46	.41	.53	.46	.41	.51	.45	.40	.49	.44	.40	.48	.43	.39	.38
	6	.47	.39	.34	.46	.39	.33	.44	.38	.33	.43	.37	.33	.41	.36	.32	.31
	7	.40	.32	.27	.39	.32	.27	.38	.31	.27	.37	.31	.26	.36	.30	.26	.24
	8	.35	.28	.22	.34	.27	.22	.33	.27	.22	.32	.26	.22	.31	.26	.22	.20
	9	.31	.23	.18	.30	.23	.18	.29	.23	.18	.28	.22	.18	.27	.22	.18	.16
	10	.27	.20	.15	.26	.20	.15	.25	.19	.15	.25	.19	.14	.24	.18	.14	.13

Determined In Accordance With Current IES Published Procedures

#### Coefficients of Utilization

Ceiling	175W ED17 MH																
	80%			70%			50%			30%			10%			0%	
Wall	50	30	10	50	30	10	50	30	10	50	30	10	50	30	0		
RCR																	
Zonal Cavity Method - Effective Floor Reflectance = 20%																	
Room Cavity Ratio	1	.92	.89	.87	.90	.88	.85	.87	.84	.83	.83	.82	.80	.80	.79	.78	.76
	2	.83	.78	.74	.81	.77	.73	.78	.75	.72	.76	.73	.70	.73	.71	.68	.67
	3	.73	.67	.63	.72	.67	.62	.70	.65	.61	.68	.64	.60	.66	.62	.59	.57
	4	.65	.59	.54	.64	.58	.53	.62	.57	.53	.60	.56	.52	.59	.55	.51	.50
	5	.58	.51	.45	.57	.50	.45	.55	.49	.45	.54	.48	.44	.52	.48	.44	.42
	6	.51	.43	.38	.50	.43	.38	.48	.42	.37	.47	.41	.37	.45	.40	.37	.35
	7	.44	.36	.31	.43	.36	.31	.42	.35	.30	.40	.34	.30	.39	.34	.30	.28
	8	.38	.31	.25	.37	.30	.25	.36	.30	.25	.35	.29	.25	.34	.29	.25	.23
	9	.33	.26	.20	.33	.25	.20	.31	.25	.20	.31	.24	.20	.30	.24	.20	.18
	10	.29	.21	.16	.28	.21	.16	.27	.21	.16	.26	.20	.16	.26	.20	.16	.14

Determined In Accordance With Current IES Published Procedures



© 2014 Koninklijke Philips N.V. All rights reserved.  
Specifications are subject to change without notice.  
www.philips.com/luminaires

4073U 05/14 page 4 of 4

Philips Lighting  
North America Corporation  
200 Franklin Square Drive  
Somerset, NJ 08873  
Phone: 855-486-2216

Philips Lighting Company  
281 Hillmount Road  
Markham ON, Canada L6C 2S3  
Phone: 800-668-9008