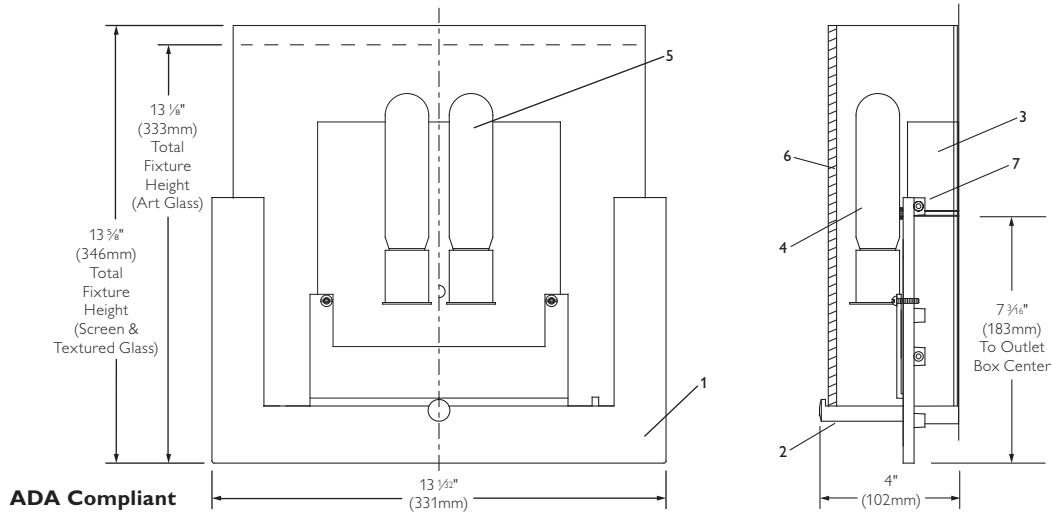
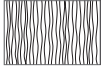
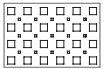



## Decorative, Bowshield, Wall Mounted INC



Complete Fixture consists of Lightshield and Backplate Assembly. Order each separately.

### Lightshield Ordering Information

Catalog No.	Pattern/Description/Color
40871	 Rolled "rain" pattern texture, silk-screened white/clear
40865	 Three dimensional "squares" white/clear silk-screened pattern
40862	 "Ceramic white" silk-screened and sandblasted

### Backplate Assembly Ordering Information

Catalog No.	Lamps	Finish
40828	2x60W T-10 Incandescent	Satin Brass
40829	2x60W T-10 Incandescent	Satin Nickel

### Features

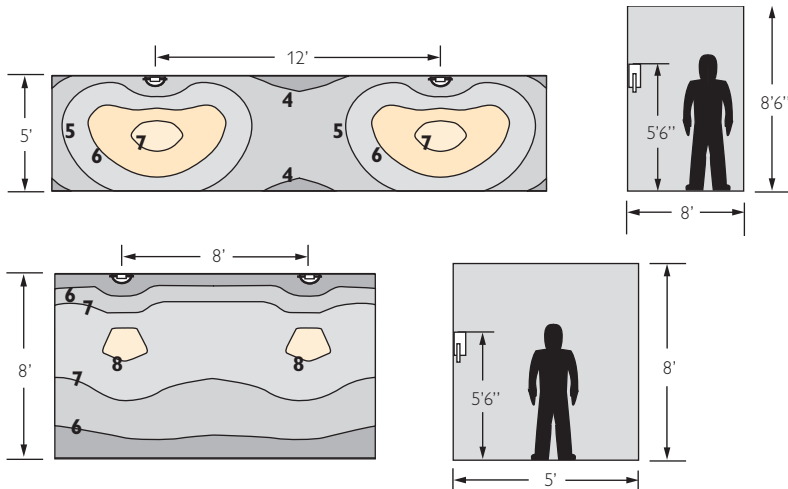
- Diffuser Holder:** Die-cast zinc alloy. Satin brass or satin nickel finish with clear lacquer.
- Diffuser Support Peg:** Turned brass. Satin brass or satin nickel finish with clear lacquer.
- Backplate:** 20 ga. (.036") Die-formed steel, gloss white finish.
- Socket:** Medium Base, Porcelain, Nickel Plate Screw Shell.
- Lamps:** T-10, Medium Base, by others.
- Diffuser:** 6mm thick (Max.) Glass. See chart above for options.
- Screw:** Nylon. 8-32. To secure Diffuser.

### Labels

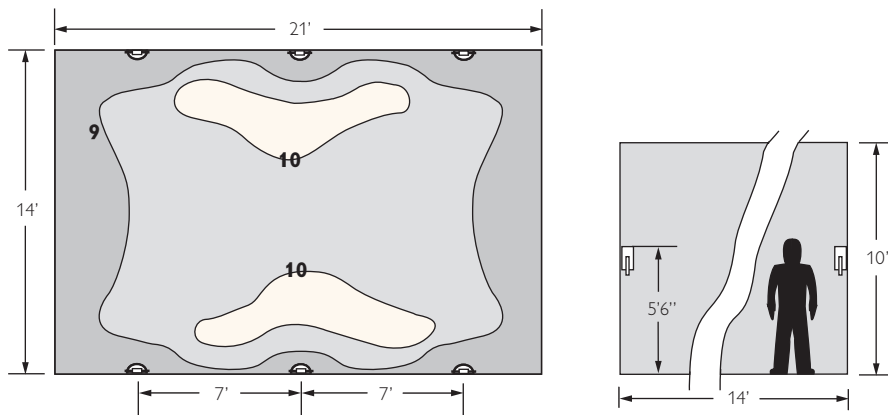
cUL listed suitable for damp locations.

Job Information	Type:
Job Name:	
Cat. No.:	
Notes:	

### Hallway / Footcandles



### Vestibule / Conference Room / Footcandles



### Reflectances

80% ceiling / 50% wall / 20% floor

Footcandles are on floor.

### Multiplier Factors

Data shown is based on an "All White" lightshield. For colors use 0.8 multiplier



Philips Lightolier  
 e: lol.webmaster@philips.com  
 t: (508) 679-8131  
 w: www.lightolier.com

40828 May 9, 2011

Specifications are subject to change without notice.  
 © Koninklijke Philips Electronics N.V., 2010. All rights reserved.

**Job Information** Type: