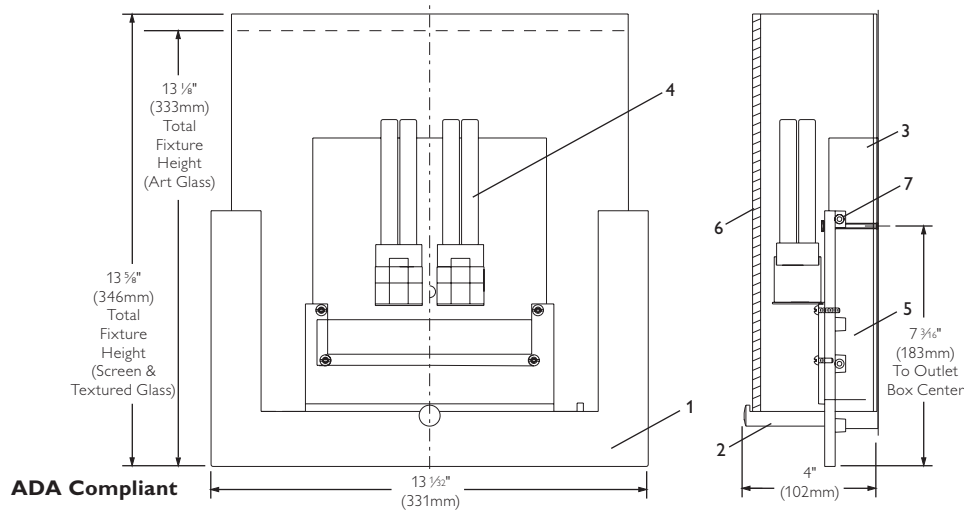
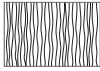




## Decorative, Bowshield, Wall Mounted INC



Complete Fixture consists of Lightshield and Backplate Assembly. Order each separately.

### Lightshield Ordering Information

Catalog No.		Pattern/Description/Color
40871		Rolled "rain" pattern texture, silk-screened white/clear
40865		Three dimensional "squares" white/clear silk-screened pattern
40862		"Ceramic white" silk-screened and sandblasted

### Backplate Assembly Ordering Information

Catalog No.	Finish	Catalog No.	Finish	Lamps	Ballast Type	Input Wattage
40828H1	Satin Brass	40829H1	Satin Nickel	2x18W Quad	1-2 Lt. HPF Magnetic	120V
40828H2	Satin Brass	40829H2	Satin Nickel	2-Pin G24d-2 base	1-2 Lt. HPF Magnetic	277V
40828U	Satin Brass	40829U	Satin Nickel	2x18W Quad	1-2 Lt. HPF Electronic	120/277V
40828D1	Satin Brass	40829D1	Satin Nickel	4-Pin G24q-2 base	1-2 Lt. HPF Electronic Dimmable	120V

### Features

- 1. Diffuser Holder:** Die-cast zinc alloy. Satin brass or satin nickel finish with clear lacquer.
- 2. Diffuser Support Peg:** Turned brass. Satin brass or satin nickel finish with clear lacquer.
- 3. Backplate:** 20 ga. (.036") Die-formed steel, gloss white finish.
- 4. Socket:** Medium Base, Porcelain, Nickel Plate Screw Shell.
- 5. Lamps:** T-10, Medium Base, by others.
- 6. Diffuser:** 6mm thick (Max.) Glass. See chart above for options.
- 7. Screw:** Nylon. 8-32. To secure Diffuser.

### Labels

cUL listed suitable for damp locations.

### Job Information Type:

Job Name:

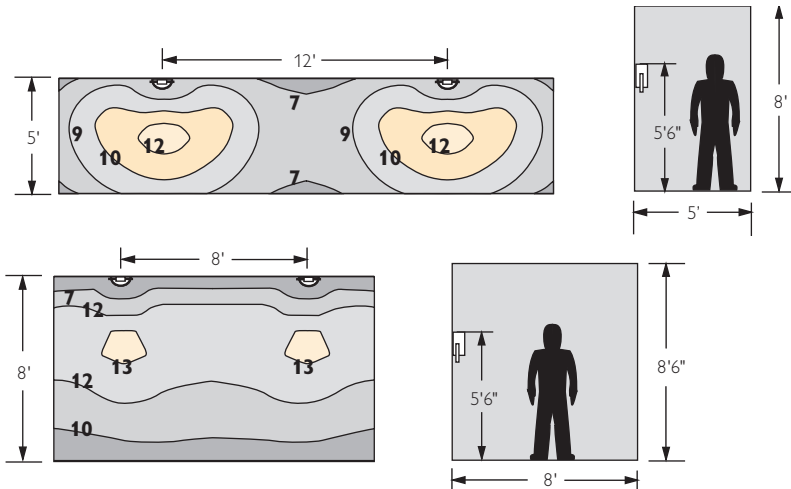
Cat. No.:

Notes:

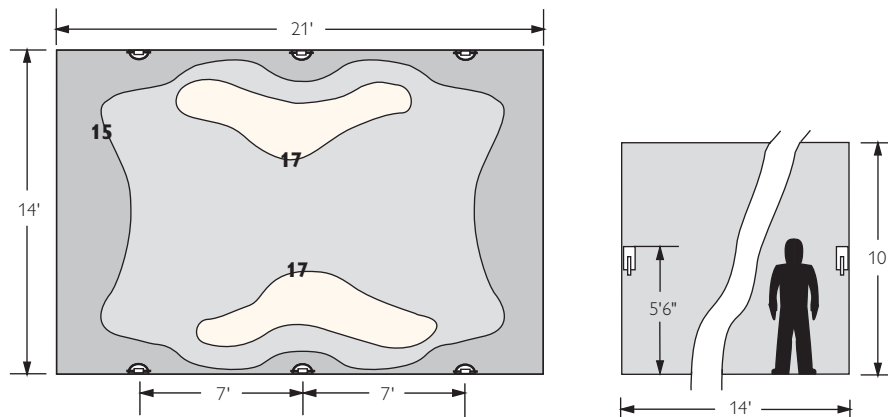
**PHILIPS**

**LIGHTOLIER**

### Hallway / Footcandles



### Vestibule / Conference Room / Footcandles



### Reflectances

80% ceiling / 50% wall / 20% floor

Footcandles are on floor.

### Multiplier Factors

Data shown is based on an "All White" lightshield. For colors use 0.8 multiplier



Philips Lightolier  
 e: lol.webmaster@philips.com  
 t: (508) 679-8131  
 w: www.lightolier.com

40828U May 9, 2011

Specifications are subject to change without notice.  
 © Koninklijke Philips Electronics N.V., 2010. All rights reserved.

<b>Job Information</b>	<b>Type:</b>
------------------------	--------------