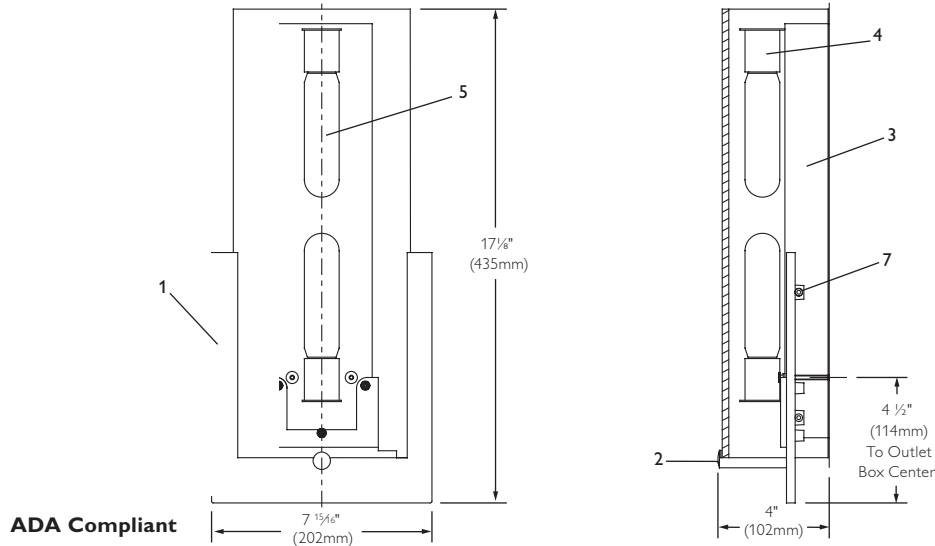


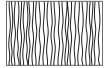
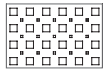

## Decorative, Bowshield, Wall Mounted INC



ADA Compliant

Complete Fixture consists of Lightshield and Backplate Assembly. Order each separately.

### Lightshield Ordering Information

Catalog No.	Pattern/Description/Color
40872	 Rolled "rain" pattern texture, silk-screened white/clear
40866	 Three dimensional "squares" white/clear silk-screened pattern
40863	 "Ceramic White" silk-screened and sandblasted

### Backplate Assembly Ordering Information

Catalog No.	Lamps	Finish
40831	2x60W T-10 Incandescent	Satin Brass
40832	2x60W T-10 Incandescent	Satin Nickel

### Features

- Diffuser Holder:** Die-cast zinc alloy. Satin brass or satin nickel finish with clear lacquer.
- Diffuser Support Peg:** Turned brass. Satin brass or satin nickel finish with clear lacquer.
- Backplate:** 20 ga. (.036") Die-formed steel, gloss white finish.
- Socket:** Medium base, porcelain, nickel plate screw shell.
- Lamps:** T-10, Medium base, by others.
- Diffuser:** 6mm thick (Max.) Glass. See chart above for option.
- Screw:** Nylon. 8-32. To secure Diffuser.

### Labels

cULus listed. Suitable for damp locations.

### Job Information Type:

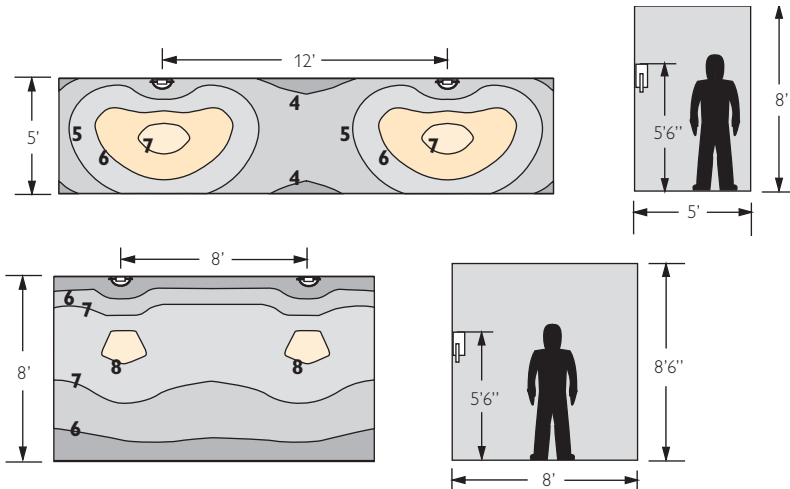
Job Name:

Cat. No.:

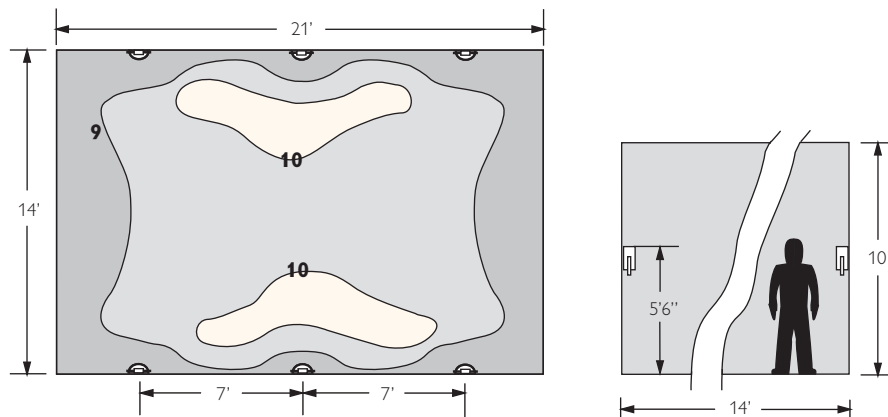
Notes:

**PHILIPS**  
**LIGHTOLIER**

### Hallway / Footcandles



### Vestibule / Conference Room / Footcandles



#### Reflectances

80% ceiling / 50% wall / 20% floor  
Footcandles are on floor.

#### Multiplier Factors

Data shown is based on an "All White" lightshield.



Philips Lightolier  
e: lol.webmaster@philips.com  
t: (508) 679-8131  
w: www.lightolier.com

40831 May 9, 2011

Specifications are subject to change without notice.  
© Koninklijke Philips Electronics N.V., 2010. All rights reserved.

<b>Job Information</b>	<b>Type:</b>
------------------------	--------------