

Project:	Catalog No:	Mfg:
Location:	Fixture Type:	Qty:
Notes:		Lamps:

Power Head (Titanium Finish)

Catalog No.	Lamp	Watts	Volts	Options
412H70	Metal Halide ED17 (Open Rated)	70	120	F1, Fuse 120V

Complete fixture consists of: Power Head, Reflector, Suspension. Select each separately.

Suspension

Catalog No.	Color	Description
404SKG	Gray	Cable/Cord & Cable/Coiled Cord, 120" Length
404SKB	Black	Cable/Cord & Cable/Coiled Cord, 120" Length
404S36	Gray	36" Length, 5/8" Stem
404S36B	Black	36" Length, 5/8" Stem
404S60	Gray	60" Length, 5/8" Stem
404S60B	Black	60" Length, 5/8" Stem
404S120	Gray	120" Length, 5/8" Stem

Optional Extension Kits

Catalog No.	Color	Description
04EXT300*	Grey	25" Extension Cable/Cord Kit
404EXTB*	Black	25" Straight Cable/Cord Extension Kit

*Use with Standard Suspension Kit.

Reflector/Glass

Catalog No.	Description
42SR	Satin Aluminum Reflector
42WH	White Glass
42BL	Cobalt Blue Glass
42AB	Amber Glass

Features

1. Reflector System: Reflector: High purity, 16 gauge aluminum. Exterior satined and anodized. Interior low iridescent comfort clear anodized. Glass Diffusers: Diffusers fabricated of pressed glass with soft etched exterior and matte white interior frit.

2. Power Head Housing: Two-piece extruded aluminum.

3. Suspension:

Cable/Cord*: 1/16" Stainless Steel/SJT 18-3, Gray or Black. Cable/Coil Cord*: 1/16" Stainless Steel/SJT 18-3, Gray or Black. Stem*: 5/8" Steel tubing and

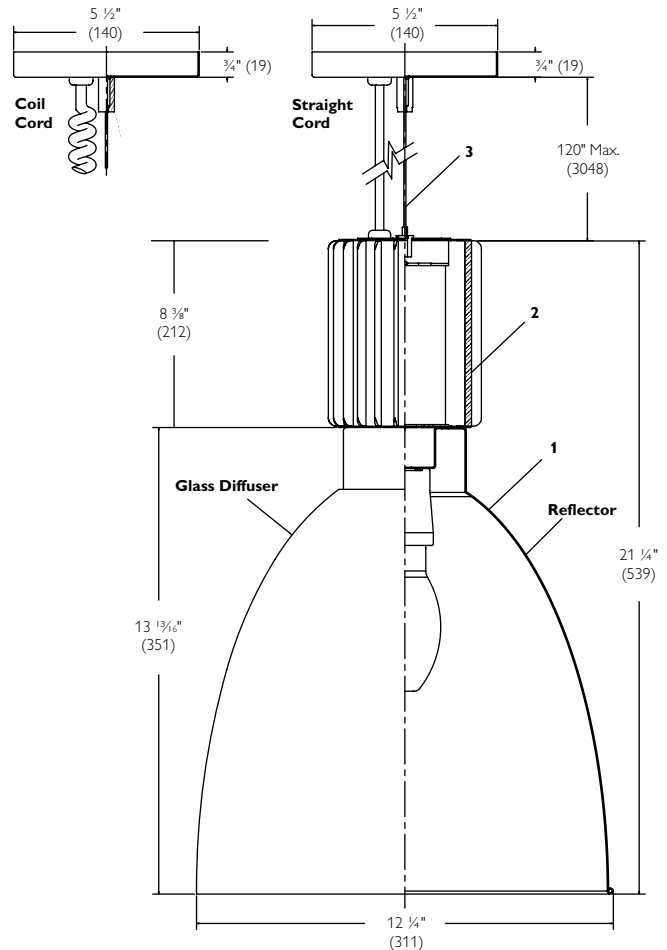
canopy, with 35° swivel hanger, Gray or Black
*Can be field shortened.

Lamping (by others)

Metal Halide: (open rated)

General Electric	Osram/Sylvania	Philips
(1) 70W Ceramic Metal Halide ED17 Lamp		
MXR70/C/U/MED/O	MCP70/C/U/MED/*	MHC70/C/U/MP*

* Manufacturers' color temperature designation.



Electrical

Lampholders: Metal Halide: Medium Based, Porcelain, 4KV pulse rated.
Ballast: Electronic: Metal Halide

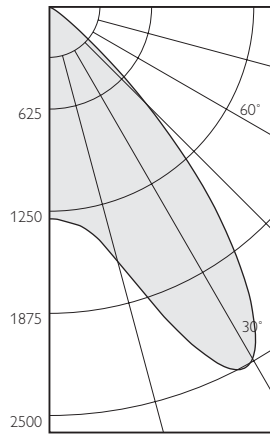
70 Watt	
Voltage	120
Total Input Watts	79
Max. Line Current (Amps)	.67
Minimum Starting Temp.	5°F

Labels

cU.L.us listed (Suitable for Damp Locations).

2601FR

Satin Aluminum Reflector, Cat.# 412H70/42SR
70W ED-17, Lumen Rating = 5700 Lms.



Candlepower Summary

Angle	Mean CP	LMS.
0	1306	
5	1332	128
10	1404	
15	1623	472
20	2007	
25	2410	1080
30	2506	
35	2139	1307
40	1540	
45	856	697
50	347	
55	139	155
60	66	
65	35	39
70	19	
75	8	10
80	1	
85	0	0
90	0	

Tested According to IES Procedures. Test Distance Exceeds Five - Times the Greatest Luminous Opening of Luminaire.

Coefficients of Utilization

Ceiling	80%				70%				50%				30%			
Wall	70	50	30	10	50	10	50	10	50	10	50	10	50	10	50	10
RCR	Zonal Cavity Method - Effective Floor Reflectance = 20%															
Room Cavity Ratio	0	.81	.81	.81	.79	.79	.76	.76	.70	.70	.68	.68	.63	.63	.63	.63
	1	.77	.75	.73	.72	.74	.70	.71	.68	.68	.66	.66	.61	.61	.61	.61
	2	.73	.70	.67	.64	.68	.63	.66	.62	.64	.61	.61	.58	.58	.58	.58
	3	.69	.64	.60	.57	.63	.57	.61	.56	.60	.55	.55	.53	.53	.53	.53
	4	.65	.59	.55	.52	.58	.52	.57	.51	.56	.51	.51	.49	.49	.49	.49
	5	.61	.55	.50	.47	.54	.47	.53	.46	.51	.46	.46	.44	.44	.44	.44
	6	.57	.50	.46	.43	.50	.42	.49	.42	.48	.42	.42	.40	.40	.40	.40
	7	.53	.46	.41	.38	.45	.38	.44	.38	.44	.38	.38	.36	.36	.36	.36
	8	.50	.42	.37	.34	.41	.34	.41	.34	.40	.34	.34	.32	.32	.32	.32
	9	.46	.38	.34	.30	.38	.30	.37	.30	.36	.30	.30	.29	.29	.29	.29
	10	.42	.35	.30	.27	.34	.27	.34	.27	.33	.27	.27	.25	.25	.25	.25

Determined In Accordance With Current IES Published Procedures
Luminaire Input Watts = 78.0

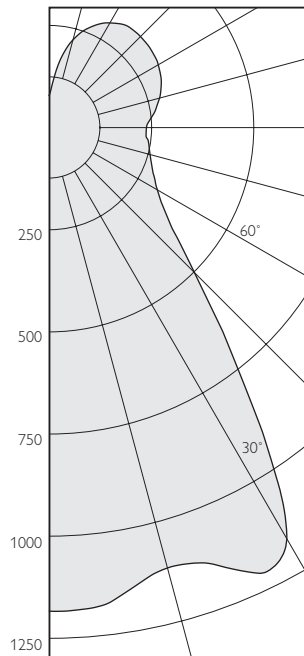
Zonal Lumens and Percentages

Zone	Lumens	% Lamp	%Luminaire	Certified test report# 2601FR Computed by LSI program **TEST-LITE** SC = 1.4
0-30	1679	29.47	43.22	
0-40	2987	52.41	76.85	
0-60	3838	67.35	98.75	
0-90	3887	68.20	100.00	Prepared For: Lightolier Fall River, MA
40-90	900	15.79	23.15	
60-90	48	.85	1.25	
90-180	0	.00	.00	
0-180	3887	68.20	100.00	

** Efficiency = 68.2% **

2653FR

White Glass Reflector, Cat.# 412H70/42WH
70W ED-17, Lumen Rating = 5700 LMS.



Candlepower Summary

Angle	Mean CP	LMS.	Angle	Mean	LMS.
0	1198		90	243	
5	1195	113	95	258	281
10	1161		100	271	
15	1130	324	105	284	300
20	1150		110	294	
25	1219	550	115	301	299
30	1169		120	307	
35	903	571	125	309	277
40	661		130	310	
45	494	395	135	310	240
50	392		140	308	
55	337	308	145	299	187
60	304		150	285	
65	282	282	155	265	122
70	267		160	240	
75	256	271	165	205	57
80	248		170	156	
85	240	265	175	96	10
90	243		180	67	

Tested According to IES Procedures. Test Distance Exceeds Five - Times the Greatest Luminous Opening of Luminaire.

Coefficients of Utilization

Ceiling	80%				70%				50%				30%			
Wall	70	50	30	10	50	10	50	10	50	10	50	10	50	10	50	10
RCR	Zonal Cavity Method - Effective Floor Reflectance = 20%															
Room Cavity Ratio	0	.94	.94	.94	.88	.88	.77	.77	.67	.67	.67	.67	.54	.54	.54	.54
	1	.85	.81	.77	.74	.76	.69	.66	.62	.58	.54	.54	.44	.44	.44	.44
	2	.78	.71	.66	.61	.67	.58	.59	.52	.51	.46	.46	.37	.37	.37	.37
	3	.71	.63	.57	.52	.59	.49	.53	.44	.46	.40	.40	.32	.32	.32	.32
	4	.66	.57	.50	.45	.54	.43	.48	.39	.42	.35	.35	.29	.29	.29	.29
	5	.61	.51	.44	.39	.48	.37	.43	.34	.38	.31	.31	.26	.26	.26	.26
	6	.56	.46	.39	.34	.44	.33	.39	.30	.35	.28	.28	.23	.23	.23	.23
	7	.52	.42	.35	.30	.40	.29	.36	.27	.32	.24	.24	.20	.20	.20	.20
	8	.49	.38	.32	.27	.36	.26	.33	.24	.29	.22	.22	.18	.18	.18	.18
	9	.45	.35	.28	.24	.33	.23	.30	.21	.27	.20	.20	.16	.16	.16	.16
	10	.42	.32	.26	.22	.30	.21	.27	.19	.25	.18	.18	.15	.15	.15	.15

Determined In Accordance With Current IES Published Procedures
Luminaire Input Watts = 78.0

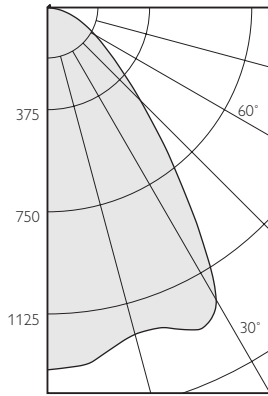
Zonal Lumens and Percentages

Zone	Lumens	% Lamp	%Luminaire	Certified test report no. 2653FR Computed by LSI program **TEST-LITE** SC(Along) = 1.2
0-30	987	17.33	20.36	
0-40	1558	27.35	32.13	
0-60	2261	39.67	46.62	
0-90	3079	54.02	63.48	Prepared For: Lightolier Fall River, MA
40-90	1520	26.67	31.35	
60-90	817	14.35	16.86	
90-180	1771	31.08	36.52	
0-180	4850	85.10	100.00	

** Efficiency = 85.1% **

2654FR

Amber Glass Reflector, Cat.# 412H70/42AB
70W ED-17, Lumen Rating = 5700 Lms.



Candlepower Summary

Angle	Mean CP	LMS.	Angle	Mean	LMS.
0	1318		90	8	
5	1309	52	95	7	8
10	1269		100	8	
15	1231	148	105	9	10
20	1239		110	10	
25	1293	205	115	10	10
30	1229		120	11	
35	936	177	125	13	11
40	674		130	13	
45	482	127	135	14	11
50	352		140	15	
55	265	111	145	13	8
60	204		150	8	
65	156	115	155	7	3
70	117		160	5	
75	82	125	165	3	1
80	53		170	2	
85	27	132	175	0	0
90	8		180	0	

Tested According to IES Procedures. Test Distance
Exceeds Five - Times the Greatest Luminous
Opening of Luminaire.

Coefficients of Utilization

Ceiling	80%				70%		50%		30%		0
	70	50	30	10	50	10	50	10	50	10	
Wall	Zonal Cavity Method - Effective Floor Reflectance = 20%										
RCR	Zonal Cavity Method - Effective Floor Reflectance = 20%										
0	.55	.55	.55	.55	.53	.53	.51	.51	.48	.48	.45
1	.51	.49	.48	.47	.48	.46	.46	.44	.44	.43	.40
2	.48	.45	.43	.41	.44	.42	.42	.39	.41	.38	.36
3	.44	.41	.38	.36	.40	.35	.39	.35	.37	.34	.32
4	.42	.37	.34	.32	.37	.32	.36	.31	.35	.31	.29
5	.39	.34	.31	.28	.34	.28	.33	.28	.32	.28	.26
6	.36	.31	.28	.26	.31	.26	.30	.25	.29	.25	.24
7	.34	.29	.25	.23	.28	.23	.28	.23	.27	.22	.21
8	.32	.26	.23	.21	.26	.21	.25	.21	.25	.20	.19
9	.30	.24	.21	.19	.24	.19	.23	.19	.23	.18	.18
10	.28	.22	.19	.17	.22	.17	.22	.17	.21	.17	.16

Determined In Accordance With Current IES Published Procedures
Luminaire Input Watts = 78.0

Zonal Lumens and Percentages

Zone	Lumens	% Lamp	%Luminaire	Certified test report# 2654FR Computed by LSI program **TEST-LITE** SC = 1.2
0-30	1061	18.62	40.48	
0-40	1654	29.02	63.09	
0-60	2283	40.06	87.08	
0-90	2559	44.91	97.63	Notes: Amber Glass and Cobalt Blue Glass have the same Photometrics.
40-90	905	15.89	34.54	
60-90	276	4.85	10.55	
90-180	62	1.09	2.37	Prepared For: Lightolier Fall River, MA
0-180	2621	46.00	100.00	

** Efficiency = 46.0% **

