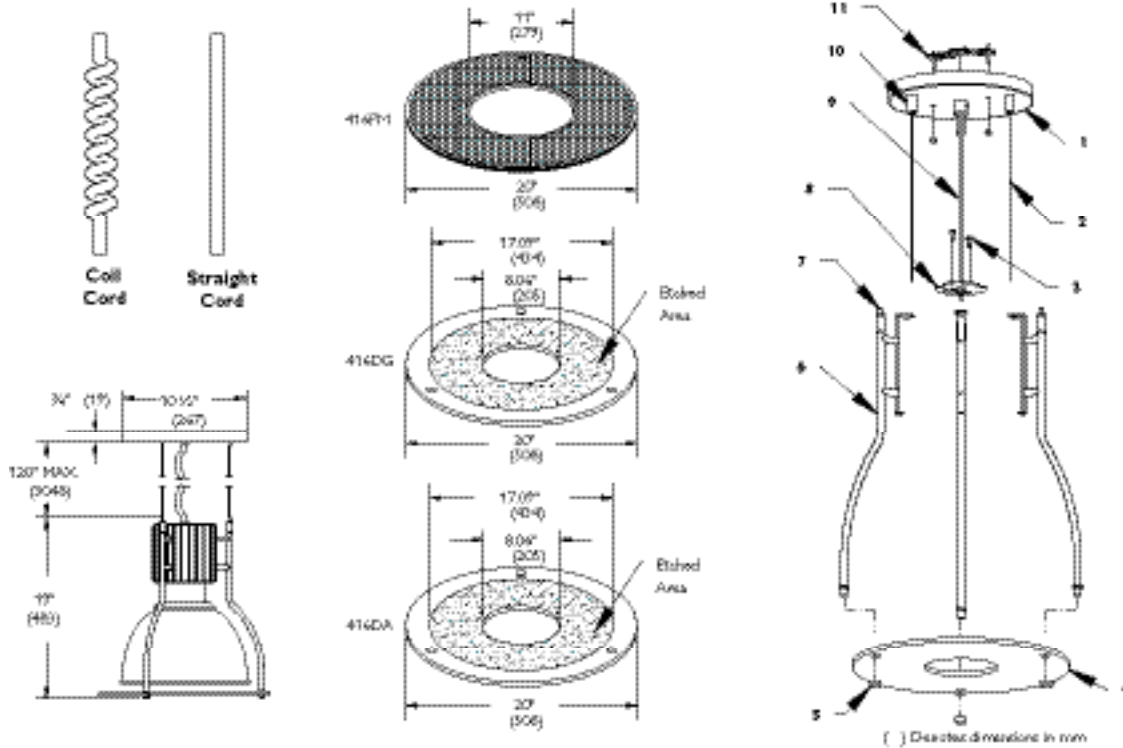


Project:	Catalog No:	Mfg:
Location:	Fixture Type:	Qty:
Notes:		Lamps:



Deco Kits

Disks

Catalog No.	Color	Description	Power Cord	Cord Color	Overall Height Max.	Catalog No.	Description
416DK***	Gray	Deco Assembly & Mounting Kit	SJT 18-3	Gray	120"	416DG	Glass Disk
416DK5***	Gray	Deco Assembly & Mounting Kit	SJT 18-5**	Gray	120"	416DA	Acrylic Disk
4CCG	Gray	Coil Cord, 120" Length				416PM	Perforated Metal Disk
4CCB	Gray	Coil Cord, 120" Length					

*Can be easily field shortened to desired length. **For use with two wire dimming ballast options. ***Includes Arms & Straight Cord Suspension System.
 Note: Order Deco Kit and Disk separately. Specify Coil Cord separately.

Features

- 1. Canopy:** Die formed 16 GA. (.048) CRS. (See above for finish.)
- 2. Support Cable:** (3) 1/16" diameter stainless steel.
- 3. Mounting Screws:** (2) #8-32 for mounting to power head.
- 4. Aperture Disk:**
 Glass: Ø20" diameter 1/4" thick soda lime glass, Ø17.09" diameter etched-area.
 Acrylic: Ø20" diameter 1/4" thick clear acrylic, Ø17.09" diameter etched-area.

- Perforated Metal: 1/16" thick satin aluminum disk with 1/16" diameter holes providing 41% open area. Inner and outer edge trimmed with an EPDM rubber trim band, black finish.
- 5. Knob:** (3) Machined steel, brushed and clear lacquered.
 - 6. Support Arm:** (3) 3/8" diameter steel tubing, brushed and clear lacquered.
 - 7. Cable Adjuster:** (3) Steel, chrome plated allows for height and leveling adjustment after installation.

- 8. Mounting Plate:** 16 GA. (.048) CRS. See above for finish.
- 9. Power Cord:** See chart above.
- 10. Collar:** (3) Steel, chrome plated, for precise height adjustment.
- 11. Mounting Hardware:** Junction Box Cross Bar for direct mounting to standard junction boxes. (2) #8-32 Mounting Studs and (2) Cap Screws to secure canopy.

Labels

cULus listed, suitable for damp locations.