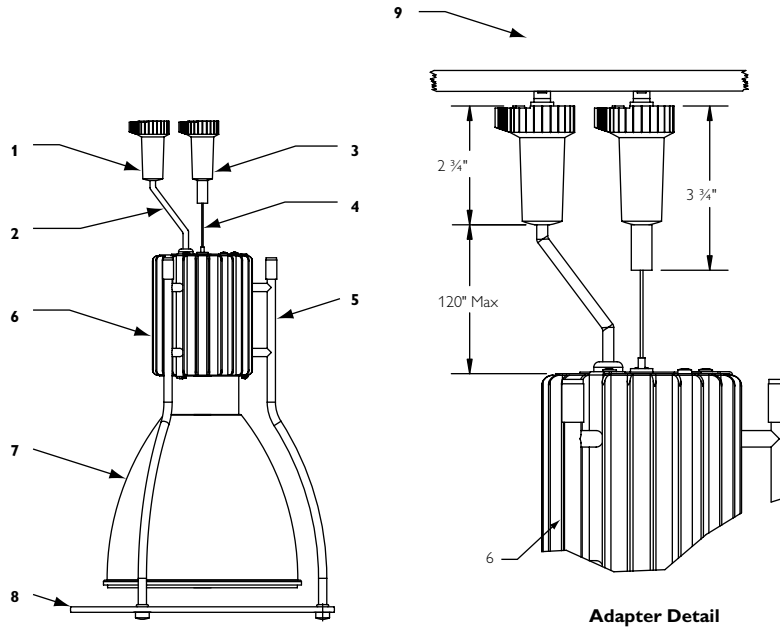


Project:	Catalog No:	Mfg:
Location:	Fixture Type:	Qty:
Notes:		Lamps:



Typical complete installation shown (Power Head, Reflector and Aperture Disk must be ordered separately).

### Deco Kits

Catalog No.	Description	Power Cord	Cord Color	Adapter Finish	Overall Height Max.
416DK***	9", Pendalyte Deco track mounting kit	SJT 18-3	Gray	Silver	120"
416DK5***	9", Pendalyte Deco track mounting kit	SJT 18-3	Black	Titanium	120"
4CCG	12", Pendalyte Deco track mounting kit	SJT 18-3	Gray	Silver	120"
4CCB	16", Pendalyte Deco track mounting kit	SJT 18-3	Gray	Silver	120"

\*Not compatible with 12" performance, 26/32/42W two-light dimming or 50/70W dimming..

### Features

- 1. Power Adapter:** Titanium or silver molded polycarbonate.
- 2. Power Cord:** 3 wire, SJT 18-3, Black or Gray.
- 3. Support Adapter:** Supports pendant weight. Silver or Titanium.
- 4. Support Cable:** 1/16" stainless steel.
- 5. Support Arms:** (3) 3/8" diameter steel tubing, brushed and clear lacquered. Ordered Separately From Deco Track Mounting Kit
- 6. Power Head:** Order separately, see standard Pendalyte specification sheets for more details.
- 7. Reflector, Refractor, Glass Shade:** Order separately. See standard Pendalyte specification sheets for more details.
- 8. Aperture Disk:** Order separately. See standard Pendalyte specification sheets for more details. See specification sheet 404BLS for track mounting kit for use with non-Deco units.
- 9. Track:** Compatibility with Basic®, Advent®, and Radius® Lytespan Track

**Labels**  
cULus