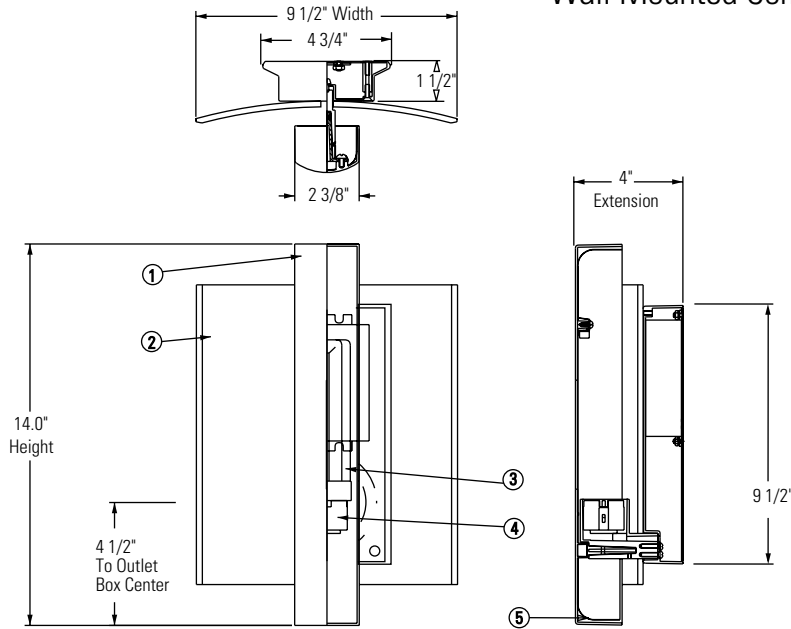


# Architectural Decorative Soli™ 48020ALU



**Note:** Luminaire can be ordered with or without diffusing shield. Order each separately.

### Fixture Ordering Information

Catalog No.	Finish	Wattage	Voltage	Lamping
48020ALU	Powder Coated Metallic Aluminum	26/32/42W	120/277V	Quad or Triple Tube Compact Fluorescent

### Diffuser Ordering Information

Catalog No.	Description	Dimensions
40873	Translucent Etched Soda Lime Glass w/ Chamfered Edges	11" L x 9.5" W x 5 mm Thick
40913	Extruded Opal Virgin Acrylic w/ Chamfered Edges	11" L x 9.5" W x 5 mm Thick

### Features

- Housing:** Extruded and die-cast aluminum ballast and lamp chamber.
- Optional Diffuser/Reflector:** Curved etched glass or extruded opal virgin acrylic.
- Lamp:** Triple tube Compact Fluorescent, 4-pin, electronic (by others).
- Lampholder:** Universal 26/32/42W Gx24q3/q4 base.
- Optics:** Internal patterned Alzak® reflector.

### Mounting

Mounts directly to switch box or 4" octagonal J-Box. Octagonal box mounting requires use of "J-Box Covers" and "Support Plate" supplied standard.

### Electrical

Ballast:	Electronic 120/277V Univ.
Total Input Watts:	26W Lamp = 29W 32W Lamp = 36W 42W Lamp = 46W
Max. Line Current:	26W 120V = 0.24A 277V = 0.11A 32W 120V = 0.31A 277V = 0.13A 42W 120V = 0.38A 277V = 0.17A
Power Factor:	26/32/42W = .98
Ballast Factor:	26W = 1.10 32/42W = 0.98
THD:	26/32/42W = 10%
Starting Temp:	0°F / -18°C

### Options

**Dimming:** Advance Mark X ballasts are supplied as standard, delete U from the end of catalog number and replace with suffix codes below:

- MX1** = Multi-wattage 26/32/42W, 120V input.
- MX2** = Multi-wattage 26/32/42W, 277V input.

**Matching Linear Units:** See SOLI ADA 2' 48021ALU, SOLI ADA 3' 48022ALU, SOLI ADA 4' 48023ALU.

### Finish

All painted parts utilized the powder coat process. Lightolier Metallic Aluminum Powder Coat Enamel.

### Labels

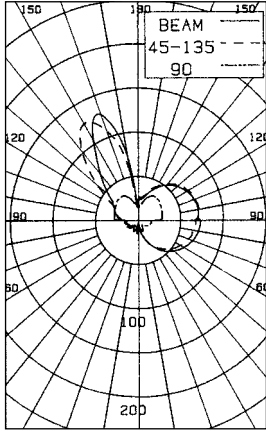
cULus Listed. Suitable for Damp Locations.

Job Information	Type:
<b>Job Name:</b>	
<b>Cat. No.:</b>	
<b>Lamp(s):</b>	
<b>Notes:</b>	

Lightolier a Genlyte Thomas Company [www.lightolier.com](http://www.lightolier.com)  
 631 Airport Road, Fall River, MA 02720 • (508) 679-8131 • Fax (508) 674-4710  
 We reserve the right to change details of design, materials and finish.  
 © 2003 Genlyte Thomas Group LLC (Lightolier Division) • A0303

LIGHTOLIER®

CERTIFIED TEST REPORT NO. 2214FR  
 COMPUTED BY LSI PROGRAM \*\*TEST-LITE\*\*  
 LIGHTOLIER ARCHITECTURAL DECORATIVE LUMINAIRE SOLI  
 CAT. NO. 48020ALU, ETCHED GLASS SHIELD DIFFUSER  
 1-32W CFL TRIPLE TUBE LAMP. PHILIPS PL-T. LUMEN RATING = 1220 LMS.  
 ADVANCE BALLAST #REZ 1T42 M2 LD



ZONE DEG.	CANDLEPOWER				
	90	67.5	45	22.5	BEAM
	CANDELAS				
0	5	5	5	5	5
5	4	3	6	9	10
15	10	16	18	17	17
25	13	26	28	26	29
35	8	36	38	36	40
45	8	45	46	44	50
55	11	52	54	50	58
65	13	58	60	56	65
75	15	63	65	60	70
85	16	66	67	62	73
95	28	72	71	66	71
105	29	73	72	66	71
115	30	72	69	64	68
125	31	67	65	60	63
135	33	61	58	54	56
145	33	53	49	46	47
155	29	44	40	37	37
165	22	34	30	29	28
175	16	25	26	24	24
180	20	20	20	20	20

Prepared For:  
 Lightolier  
 Fall River, MA  
 Date: May 13, 2003

Tested according to IES procedures.  
 Test distance exceeds five times the greatest luminous opening of luminaire.

COEFFICIENTS OF UTILIZATION  
 % EFFECTIVE CEILING CAVITY REFLECTANCE

ROOM CAVITY RATIO	% WALL REFLECTION															
	80			70			50			30			0			
	50	30	10	50	30	10	50	30	10	50	30	10	0			
0	22	22	22	20	20	20	16	16	16	13	13	13	9	9	9	8
1	18	17	16	16	16	15	13	12	12	10	9	9	7	7	6	5
2	15	14	12	14	12	11	11	10	9	8	7	7	6	5	5	3
3	13	11	10	12	10	9	9	8	7	7	6	5	5	4	4	3
4	12	10	8	10	9	7	8	7	6	6	5	4	4	3	3	2
5	10	8	7	9	7	6	7	6	5	5	4	4	4	3	2	2
6	9	7	6	8	6	5	6	5	4	5	4	3	3	2	2	1
7	8	6	5	7	6	4	6	4	3	4	3	3	3	2	2	1
8	7	5	4	6	5	4	5	4	3	4	3	2	3	2	1	1
9	6	5	4	6	4	3	5	3	3	3	3	2	2	2	1	1
10	6	4	3	5	4	3	4	3	2	3	2	2	2	1	1	1

DETERMINED IN ACCORDANCE WITH CURRENT IES PUBLISHED PROCEDURES  
 20% FLOOR CAVITY REFLECTANCE

DISTRIBUTION

Zone	Lumens	% Lamp	% Luminaire
0-30	12	.52	2.42
0-40	25	1.06	4.99
0-60	71	2.99	13.99
0-90	183	7.65	35.82
40-90	158	6.58	30.83
60-90	111	4.66	21.82
90-180	328	13.71	64.18
0-180	512	21.36	100.00

\*\* EFFICIENCY = 21.4% \*\*

LIGHTOLIER

**Job Information** **Type:**

Lightolier a Genlyte Thomas Company www.lightolier.com  
 631 Airport Road, Fall River, MA 02720 • (508) 679-8131 • Fax (508) 674-4710  
 We reserve the right to change details of design, materials and finish.  
 © 2003 Genlyte Thomas Group LLC (Lightolier Division) • A0303