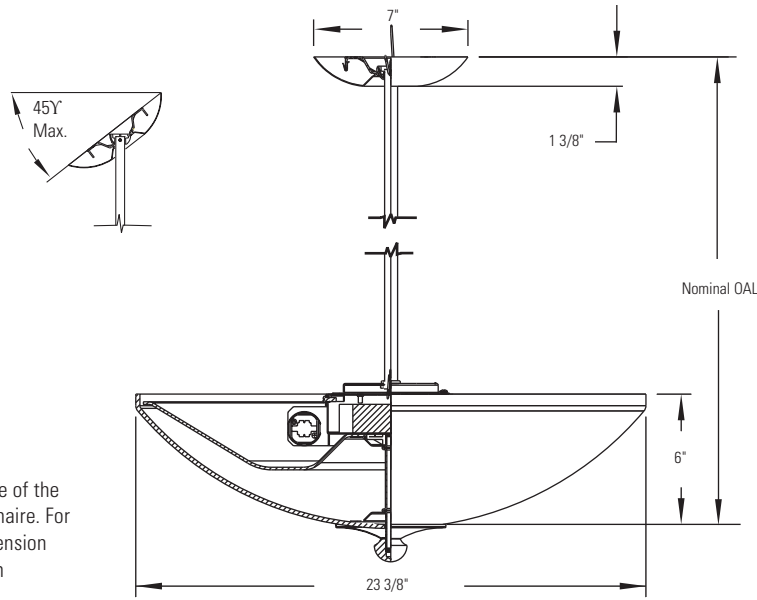


Pendalux Cirrus 23" Diameter Body 2-26/32/42 Triple Tube



Note: Drawing above illustrates only one of the suspension types available for this luminaire. For other drawings, consult individual Suspension Specification Sheet numbers as noted in Suspension chart(s) below.

Complete Luminaire consists of Body and Suspension. Order each separately.

Body Cat. No.	Finish	Lamps	Options
4A23242APBU <input type="checkbox"/>	Polished Brass	2-26 Triple Tube Compact Fluorescent or 2-32 Triple Tube Compact Fluorescent or 2-42 Triple Tube Compact Fluorescent	MX1 (26W, 120V only), E3 (347V), or EM Add suffix to cat. no.
4A23242ASNU <input type="checkbox"/>	Satin Nickel		

Single Swivel Stem		Suspension Extension Kits	
Cat. No.	Nominal OAL	Cat. No.	Nominal OAL
Specify Finish as Suffix: PB or SN		Specify Finish as Suffix: PB or SN	
4SB115 <input type="checkbox"/>	15" (close-to-ceiling)	4SXT48 <input type="checkbox"/>	48"
4SB118 <input type="checkbox"/>	16 7/16"	4SXT96 <input type="checkbox"/>	96"
4SB121 <input type="checkbox"/>	17 3/4"		
4SB124 <input type="checkbox"/>	24"		
4SB128 <input type="checkbox"/>	27 13/16"		
4SB135 <input type="checkbox"/>	33 7/16"		
4SB142 <input type="checkbox"/>	38 3/4"		

See Specification Sheet(s) 4SB115, 4SB124

Specifications

- **Suspension Size:** For optimum performance testing recommends OAL (overall length) in proportion to the Body diameter or for close-to-ceiling proportion length (see spec sheet 4SB115 or 4SB124). OAL is defined from bottom of diffuser to ceiling plane.
- **Stem Wires:** Equipped with 120" of leads with keyed connector for quick connection to Body wiring.

Options & Accessories

- MX1** = Dimming Electronic Ballast, 26 Watt, 120V, only
Replace Body Cat No. Suffix "U" with Suffix "MX1".
- E3** = 347V (Canada)
Replace Body Suffix "U" with Suffix "E3".
- EM** = Emergency Battery Pack
Add Suffix "EM" to Body Cat. No.

Multi-Level Switching: Prewired, consult wiring diagram.

Fusing: Consult Factory

Finishes: **PB** = Polished Brass, **SN** = Satin Nickel

Job Information	Type:
Job Name:	
Cat. No.:	
Lamp(s):	
Notes:	

Features

- 1. Diffusing Reflector:** White translucent acrylic, 3/16" thick.
- 2. Inner Dirt Shield:** White translucent acrylic, 1/8" thick.
- 3. Chassis:** Steel, 20 gauge, semi-gloss white powder-coat finish.
- 4. Suspension:** Swivel (central) stem, 5/8" steel tube. Canopy, 7" Dia., fastened internally, no exposed hardware. Permits installation on ceilings with slope of up to 45°. Complies with California Code.
- 5. Lampholder:** Multi-wattage, 4-pin, will accept either GX24q-3 or GX24q-4 lamp base.

Lamping (by others)

Compact Fluorescent: Triple Tube, 26, 32, or 42 Watts.

	General Electric	Osram/Sylvania	Philips
26W Triple Tube 4-Pin (Amalgam) Compact Fluorescent Lamp	F26TBX/*A/4P	CF26DT/E/IN/*	PL-T26W/*4P
32W Triple Tube 4-Pin (Amalgam) Compact Fluorescent Lamp	F32TBX/*A/4P	CF32DT/E/IN/*	PL-T32W/*4P
42W Triple Tube 4-Pin (Amalgam) Compact Fluorescent Lamp	F42QBK/*A/4P	CF42DT/E/IN/*	PL-T42W/*4P

*Manufacturers' color temperature designation.

Electrical

Ballast: Electronic, 2-Lamp HPF, Class P, Programmed Start. Universal Voltage 120/277V, Multi-Wattage 26/32/42W.

2 Lamp	26 Watt		32Watt		42Watt	
Voltage	120V	277V	120V	277V	120V	277V
Total Input Watts	55	55	70	70	93	93
Max. Line Current (amps)	0.55	0.24	0.70	0.30	0.30	0.40
Power Factor	>0.98	>0.98	>0.98	>0.98	>0.99	>0.99
Ballast Factor	1.02	1.02	0.96	0.96	0.95	0.95

THD<10% Minimum Starting Temperature: -5°F/-20°C

Mounting

Mounts directly to 4" outlet box, using crossbar hanger, supplied.

Labels

cULus Suitable for Damp Locations.

Application Data

23 Inch Diameter			
24' x 24' x 9.5' Space			
Luminaire	Spacing: 8' x 8' Susp. Dist. 24"		
2 Lamps	26W TTT	32W TTT	42W TTT
Illum. (FC) Maint.	22	29	40
Lum. Ratio	7/1	7/1	8/1
Watts/ Sq. Ft.	0.85	1.06	1.45

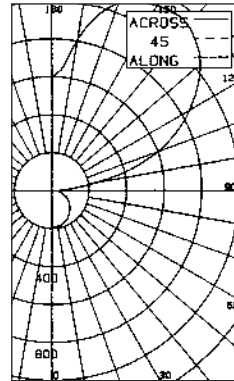
Reflectancies: 80% Ceiling, 50% Walls, 20% Floor.

Light Loss Factor = .75 (.88 BF x .85)

FC (footcandles) at 30" work plane.

CERTIFIED TEST REPORT NO. 4A23242A
COMPUTED BY LSI PROGRAM **TEST-LITE**

LIGHTOLIER INDIRECT/DIRECT PENDANT FIXTURE
CAT. #4A23242, 23" DIFFUSER
2-42W T/E SYLVANIA LAMPS. LUMEN RATING = 3200 LMS.
ADVANCE BALLAST #ICF-2S42-M2-LD, 120VAC



CANDLEPOWER SUMMARY

ANGLE	MEAN CP	LUMENS	ANGLE	MEAN CP	LUMENS
0	195	90	90	38	
5	193	18	95	80	121
10	191	100	100	245	
15	189	53	105	437	456
20	184	110	110	604	
25	177	82	115	735	725
30	169	120	120	848	
35	158	99	125	949	848
40	148	130	130	1035	
45	137	106	135	1091	842
50	126	140	140	1133	
55	113	101	145	1140	713
60	100	150	150	1125	
65	88	87	155	1103	507
70	76	160	160	1051	
75	64	68	165	956	267
80	53	170	170	812	
85	42	47	175	647	65
90	38	180	180	598	

ZONAL LUMENS AND PERCENTAGES

ZONE	LUMENS%	LAMP%	LUMINAIRE
0-30	153	2.40	2.95
0-40	252	3.95	4.86
0-60	459	7.18	8.83
0-90	661	10.34	12.72
40-90	409	6.39	7.86
60-90	202	3.16	3.88
90-180	4543	70.98	87.28
0-180	5204	81.33	100.00

** EFFICIENCY = 81.3% **

TESTED ACCORDING TO IES PROCEDURES. TEST DISTANCE EXCEEDS FIVE TIMES THE GREATEST LUMINOUS OPENING OF LUMINAIRE.

COEFFICIENTS OF UTILIZATION ZONAL CAVITY METHOD

%EFFECTIVE FLOOR CAVITY REFLECTANCE = .20

	80			70			50			30			10			0
	50	30	10	50	30	10	50	30	10	50	30	10	50	30	10	
1	.69	.66	.63	.60	.58	.55	.44	.43	.41	.29	.28	.27	.15	.15	.15	.08
2	.60	.55	.51	.53	.49	.45	.38	.36	.34	.25	.24	.23	.13	.13	.12	.07
3	.53	.47	.43	.46	.42	.38	.34	.31	.28	.22	.21	.19	.12	.11	.10	.06
4	.47	.41	.36	.41	.36	.32	.30	.27	.24	.20	.18	.16	.11	.10	.09	.05
5	.41	.35	.30	.36	.31	.27	.27	.23	.20	.18	.16	.14	.09	.08	.08	.04
6	.37	.31	.26	.32	.27	.23	.24	.20	.18	.16	.14	.12	.08	.07	.07	.04
7	.33	.27	.22	.29	.24	.20	.21	.18	.15	.14	.12	.10	.08	.06	.06	.03
8	.30	.24	.20	.26	.21	.17	.19	.16	.13	.13	.11	.09	.07	.06	.05	.03
9	.27	.21	.17	.23	.19	.15	.17	.14	.12	.12	.10	.08	.06	.05	.04	.02
10	.24	.19	.15	.21	.17	.13	.16	.13	.10	.11	.08	.07	.06	.05	.04	.02

DETERMINED IN ACCORDANCE WITH CURRENT IES PUBLISHED PROCEDURES

Job Information

Type: