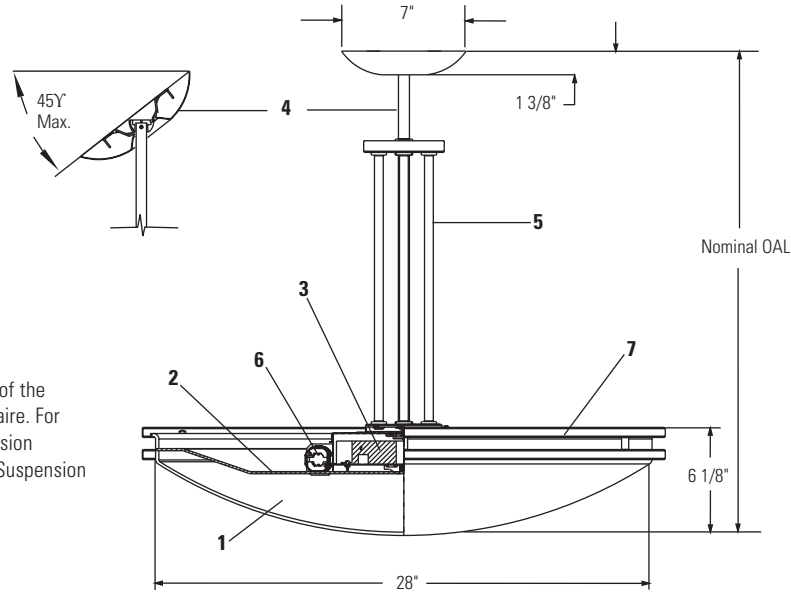


Pendalux Gemini 28" Diameter Body 4-26/32/42 Triple Tube



Note: Drawing above illustrates only one of the suspension types available for this Luminaire. For other drawings, consult individual Suspension Specification Sheet numbers as noted in Suspension chart(s) below.

Complete Luminaire consists of Body and Suspension: Order each separately.

Body Cat. No.	Finish	Lamps	Options
4F28442APBU <input type="checkbox"/>	Polished Brass	4-26 Triple Tube Compact Fluorescent or 4-32 Triple Tube Compact Fluorescent or 4-42 Triple Tube Compact Fluorescent	MX1 (26W, 120V only), E3 (347V) Add suffix to cat. no.
4F28442ASNU <input type="checkbox"/>	Satin Nickel		
4F28442AWHU <input type="checkbox"/>	White		

Single Swivel Stem		Multiple to Short Swivel Stem		3 Cables to Short Swivel		Suspension Ext. Kits	
Cat. No.	Nominal OAL	Cat. No.	Nominal OAL	Cat. No.	Nominal OAL	Cat. No.	Nominal OAL
Specify Finish as Suffix: PB, SN or WH		Specify Finish as Suffix: PB, SN or WH		Specify Finish as Suffix: PB, SN or WH		Specify Finish as Suffix: PB, SN or WH	
4SB115 <input type="checkbox"/>	15" (close-to-ceiling)	4SB224 <input type="checkbox"/>	24"	4SB328 <input type="checkbox"/>	27 13/16"	4SXT48 <input type="checkbox"/>	48"
4SB118 <input type="checkbox"/>	16 7/16"	4SB228 <input type="checkbox"/>	27 3/16"	See Specification Sheet 4SB324		4SXT96 <input type="checkbox"/>	96"
4SB121 <input type="checkbox"/>	17 3/4"	4SB235 <input type="checkbox"/>	33 7/16"				
4SB124 <input type="checkbox"/>	24"	4SB242 <input type="checkbox"/>	38 3/4"				
4SB128 <input type="checkbox"/>	27 3/16"	See Specification sheet 4SB324					
4SB135 <input type="checkbox"/>	33 7/16"						
4SB142 <input type="checkbox"/>	38 3/4"						
See Specification Sheet(s) 4SB115, 4SB124							

Specifications

- Suspension Size:** For optimum performance testing recommends OAL (overall length) in proportion to the Body diameter or for close-to-ceiling proportion length (see shaded cells). OAL is defined from bottom of diffuser to ceiling plane.
- Stem Wires:** Equipped with 120" of leads with keyed connections for quick connection to Body wiring.

Options & Accessories

- MX1** = Dimming Electronic Ballast, 26 Watt, 120V, only
Replace Body Cat No. Suffix "U" with Suffix "MX1".
- E3** = 347V (Canada)
Replace Body Suffix "U" with Suffix "E3".
- EM** = Emergency Battery Pack
Add Suffix "EM" to Body Cat. No.

Multi-Level Switching: Prewired, consult wiring diagram.

Finishes: **PB** = Polished Brass, **SN** = Satin Nickel, **WH** = White

Job Information	Type:
Job Name:	
Cat. No.:	
Lamp(s):	
Notes:	

Features

- 1. Diffusing Reflector:** White translucent acrylic, 3/16" thick.
- 2. Inner Dirt Shield:** White translucent acrylic, 1/8" thick.
- 3. Chassis:** Steel 20 gauge, semi-gloss white powder-coat finish.
- 4. Suspension:** Swivel (central) stem, 5/8" steel tube. Canopy, steel, 7" Dia. fastened internally, no exposed hardware. Permits installation on ceilings with slope of up to 45°. Complies with California Code.
- 5. Multiple Stems:** 3/8" Steel outer pipe stems surround center stem and go into collector plate.
- 6. Lampholder:** Multi-wattage, 4-pin, will accept either GX24q-3 or GX24q-4 lamp base.
- 7. Flange Trim:** Steel 20 gauge, Plated or Painted Finish.

Lamping (by others)

Compact Fluorescent: Triple Tube, 26, 32, or 42 Watts.

	General Electric	Osram/Sylvania	Philips
26W Triple Tube 4-Pin (Amalgam) Compact Fluorescent Lamp			
	F26TBX/*A/4P	CF26DT/E/IN/*	PL-T26W/*/4P
32W Triple Tube 4-Pin (Amalgam) Compact Fluorescent Lamp			
	F32TBX/*A/4P	CF32DT/E/IN/*	PL-T32W/*/4P
42W Triple Tube 4-Pin (Amalgam) Compact Fluorescent Lamp			
	F42QBK/*A/4P	CF42DT/E/IN/*	PL-T42W/*/4P

*Manufacturers' color temperature designation.

Electrical

Ballast: Electronic, 2-Lamp HPF, Class P, Programmed Start.
 Universal Voltage 120/277V, Multi-Wattage 26/32/42W.

4 Lamps	26 Watt		32Watt		42Watt	
	120V	277V	120V	277V	120V	277V
Total Input Watts	110	110	136	136	186	186
Max. Line Current (amps)	1.11	0.48	1.40	0.60	0.60	0.80
Power Factor	>0.98	>0.98	>0.98	>0.98	>0.99	>0.99
Ballast Factor	1.02	1.02	0.96	0.96	0.95	0.95

THD<10% Minimum Starting Temperature -5°F /-20°C.

Mounting

Mounts directly to 4" outlet box, using crossbar hanger, supplied.

Labels

cULus listed suitable for damp locations.

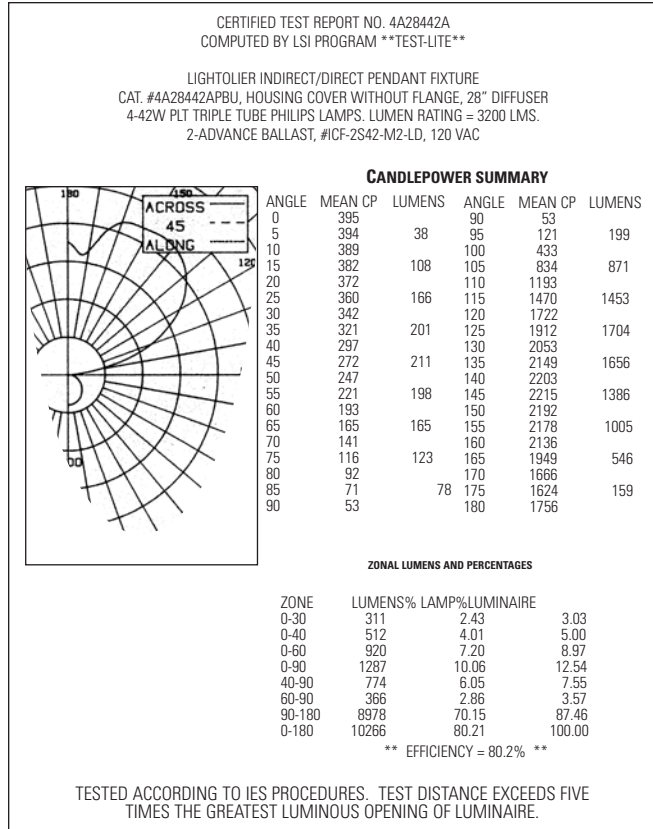
Application Data

28 Inch Diameter 30' x 30' x 10' Space Luminaire			
		Spacing: 10' x 10' Susp. Dist. 28"	
4 Lamps	26W TTT	32W TTT	42W TTT
Illum. (FC) Maint.	30	41	54
Lum. Ratio	8/1	8/1	9/1
Watts/ Sq. Ft.	1.10	1.36	1.86

Reflectancies: 80% Ceiling, 50% Walls, 20% Floor.

Light Loss Factor = .75 (.88 BF x .85)

FC (footcandles) at 30" work plane.



COEFFICIENTS OF UTILIZATION ZONAL CAVITY METHOD
 %EFFECTIVE FLOOR CAVITY REFLECTANCE = .20

	80			70			50			30			10			0
	50	30	10	50	30	10	50	30	10	50	30	10	50	30	10	
1	.68	.65	.63	.60	.57	.54	.44	.42	.41	.29	.28	.27	.15	.15	.14	.08
2	.59	.55	.51	.52	.48	.45	.38	.35	.33	.25	.24	.22	.13	.13	.12	.07
3	.52	.47	.42	.46	.41	.37	.33	.30	.28	.22	.21	.19	.12	.11	.10	.06
4	.46	.40	.36	.40	.35	.32	.30	.26	.24	.20	.18	.16	.10	.10	.09	.05
5	.40	.35	.30	.36	.31	.27	.26	.23	.20	.18	.15	.14	.09	.08	.08	.04
6	.36	.30	.26	.32	.27	.23	.24	.20	.17	.16	.14	.12	.08	.07	.07	.04
7	.32	.26	.22	.28	.23	.20	.21	.18	.15	.14	.12	.10	.08	.06	.06	.03
8	.38	.29	.19	.26	.21	.17	.19	.16	.13	.13	.11	.09	.07	.06	.05	.03
9	.36	.26	.17	.23	.18	.15	.17	.14	.11	.12	.09	.08	.06	.05	.04	.02
10	.33	.24	.15	.21	.16	.13	.16	.12	.10	.11	.08	.07	.06	.05	.04	.02

DETERMINED IN ACCORDANCE WITH CURRENT IES PUBLISHED PROCEDURES

Job Information	Type:
------------------------	--------------