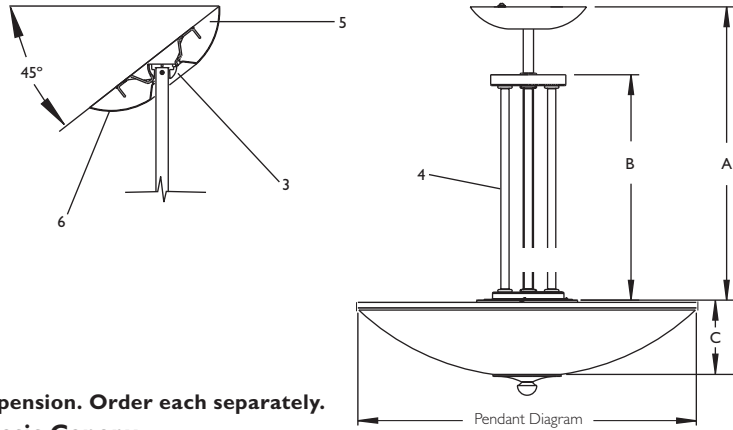


4SB224 (28) (35) (42)

Decorative, Pandalux Suspension, Basic Canopy

Page 1 of 2



Complete Luminaire consists of Body and Suspension. Order each separately.
Multiple Stem Suspension, with Swivel, Basic Canopy.

Catalog No.	Nominal Overall Length (A)*	Nominal Length (B)*	Suspension (Stem) and Canopy Finish
4SB224PB	17 7/8"	13 3/8"	Polished Brass
4SB224SB	17 7/8"	13 3/8"	Satin Brass
4SB224SN	17 7/8"	13 3/8"	Satin Nickel
4SB224WH	17 7/8"	13 3/8"	White
4SB228PB	21 11/16"	16 1/4"	Polished Brass
4SB228SB	21 11/16"	16 1/4"	Satin Brass
4SB228SN	21 11/16"	16 1/4"	Satin Nickel
4SB228WH	21 11/16"	16 1/4"	White
4SB235PB	27 5/16"	20 1/2"	Polished Brass
4SB235SB	27 5/16"	20 1/2"	Satin Brass
4SB235SN	27 5/16"	20 1/2"	Satin Nickel
4SB235WH	27 5/16"	20 1/2"	White
4SB242PB	32 5/8"	24 1/2"	Polished Brass
4SB242SB	32 5/8"	24 1/2"	Satin Brass
4SB242SN	32 5/8"	24 1/2"	Satin Nickel
4SB242WH	32 5/8"	24 1/2"	White

*Add this length (A) to Body length (C) from Body Spec Sheet(s) to get Total Luminaire Nominal OAL.

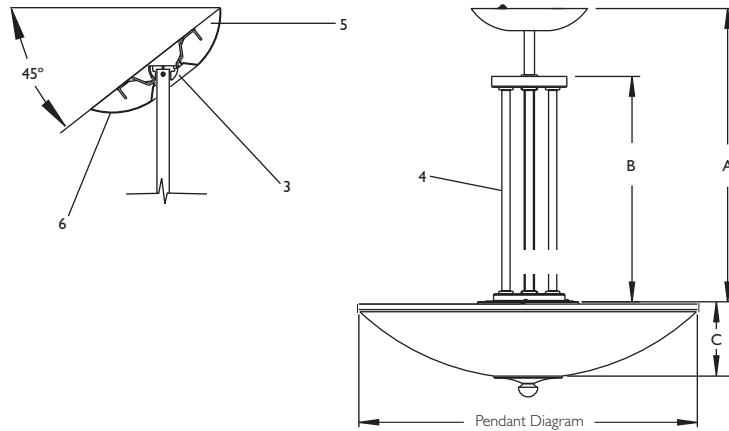
Job Information	Type:
Job Name:	
Cat. No.:	
Notes:	

PHILIPS
LIGHTOLIER

4SB224 (28) (35) (42)

Decorative, Pandalux Suspension, Basic Canopy

Page 2 of 2



Specifications

- 1. Suspension Size:** For optimum performance, testing recommends luminaire total OAL (overall length) in proportion to the body diameter. For close-to-ceiling mounting, it is suggested to use shorter single stems as noted on Spec Sheet SB115. Total luminaire OAL is defined from the bottom of the diffuser to ceiling plane.
- 2. Stem Wires:** Equipped with 120" of leads with keyed connectors for quick connection to body wiring.
- 3. Suspension:** Swivel (central) stem, $\frac{5}{8}$ " steel tube. Die-cast ball hanger standard.
- 4. Mounting Strap (Cross Bar):** Die-formed galvanized steel.
- 5. Canopy:** Steel, 7" diameter, fastened internally, no exposed hardware. Ball hanger on stem that fits into cross bar allows installation on ceilings with slope up to 45 degrees. Complies with California Earthquake Code.
- 6. Cutting Jig:** All suspensions are equipped with a cutting jig that simplifies cutting of center stem pipe in the field.

Options & Accessories

If a longer overall length is desired, use a suspension paired with a larger body.

If an overall length of greater than 42" is desired, use an extension stem. Order as a third additional component to make complete fixture. Please see Spec Sheet No. 4SXT.

Mounting

Mounts directly to 4" outlet box, using crossbar hanger, supplied.

Note: Additional luminaire support plate provided with 35/42" diameter body to allow luminaire to be supported independent of the outlet box.

Labels

cULus. Suitable for damp locations.



Philips Lightolier
e: lol.webmaster@philips.com
t: (508) 679-8131
w: www.lightolier.com

4SB224 May 7, 2012

Specifications are subject to change without notice.
© Koninklijke Philips Electronics N.V., 2012. All rights reserved.

Job Information	Type:
------------------------	--------------