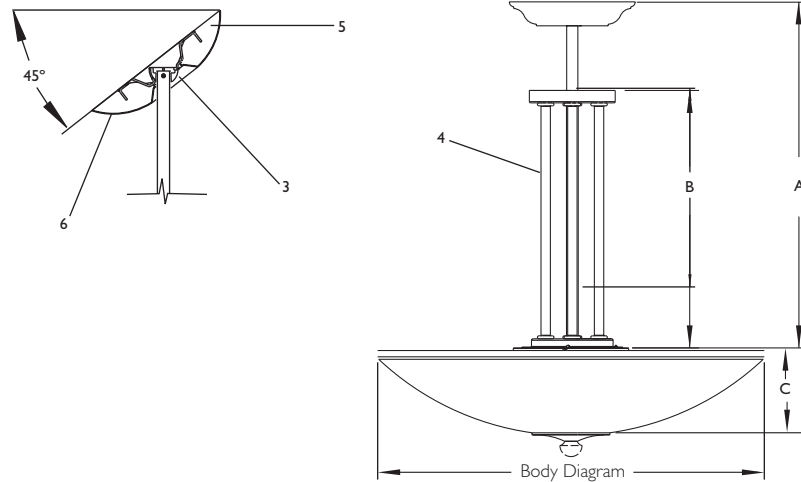


4ST228 (35) (42)

Decorative, Pandalux Suspension, Traditional Canopy

Page 1 of 2



Complete Luminaire consists of Body and Suspension. Order each separately.
Multiple Stem Suspension, with Swivel, Traditional Canopy.

| Catalog No. | Nominal Overall Length (A)* | Nominal Length (B)* | Suspension (Center Stem) and Canopy Finish |
|-------------|-----------------------------|---------------------|--|
| 4ST228PB | 21 11/16" | 16 1/4" | Polished Brass |
| 4ST228SB | 21 11/16" | 16 1/4" | Satin Brass |
| 4ST228SN | 21 11/16" | 16 1/4" | Satin Nickel |
| 4ST228WH | 21 11/16" | 16 1/4" | White |
| 4ST235PB | 27 5/16" | 20 1/2" | Polished Brass |
| 4ST235SB | 27 5/16" | 20 1/2" | Satin Brass |
| 4ST235SN | 27 5/16" | 20 1/2" | Satin Nickel |
| 4ST235WH | 27 5/16" | 20 1/2" | White |
| 4ST242PB | 32 5/8" | 24 1/2" | Polished Brass |
| 4ST242SB | 32 5/8" | 24 1/2" | Satin Brass |
| 4ST242SN | 32 5/8" | 24 1/2" | Satin Nickel |
| 4ST242WH | 32 5/8" | 24 1/2" | White |

*Add this length (A) to Body length (C) from Body Spec Sheet(s) to get Total Luminaire Nominal OAL.

| Job Information | Type: |
|-----------------|-------|
| Job Name: | |
| Cat. No.: | |
| Notes: | |

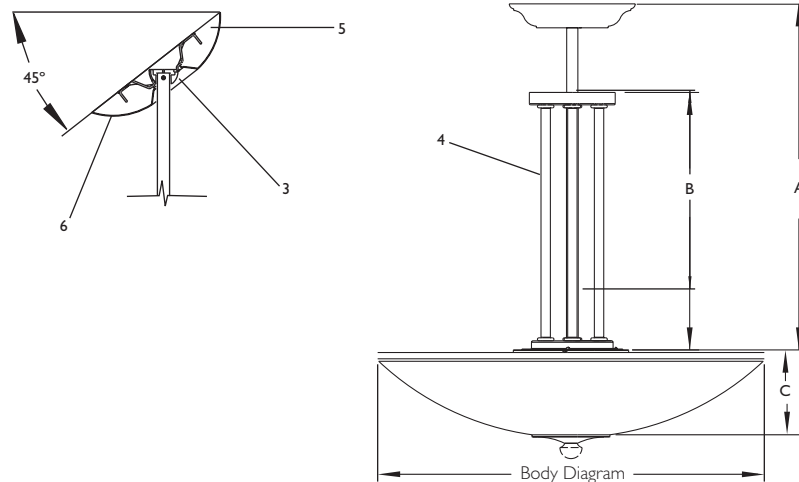
PHILIPS

LIGHTOLIER

4ST228 (35) (42)

Decorative, Pandalux Suspension, Traditional Canopy

Page 2 of 2



Specifications

- 1. Suspension Size:** For optimum performance, testing recommends luminaire total OAL (overall length) in proportion to the body diameter. For close-to-ceiling mounting, it is suggested to use shorter single stems as noted on Spec Sheet SB115. Total luminaire OAL is defined from the bottom of the diffuser to ceiling plane.
- 2. Stem Wires:** Equipped with 120" of leads with keyed connectors for quick connection to body wiring.
- 3. Suspension:** Swivel (central) stem, $\frac{5}{8}$ " steel tube. Die-cast ball hanger standard.
- 4. Multiple Stems:** $\frac{3}{8}$ " Steel outer pipe stems go into a collector plate. Outer stems surround central $\frac{5}{8}$ " stem.
- 5. Mounting Strap (Cross Bar):** Die-formed galvanized steel.
- 6. Canopy:** Steel, 7" diameter, fastened internally, no exposed hardware. Ball hanger on stem that fits into cross bar allows installation on ceilings with slope up to 45 degrees. Complies with California Earthquake Code.
- 7. Cutting Jig:** All suspensions are equipped with a cutting jig that simplifies cutting of center stem pipe in the field.

Options & Accessories

If a longer overall length is desired, use a suspension paired with a larger body.

If an overall length of greater than 42" is desired, use an extension stem. Order as a third additional component to make complete fixture. Please see Spec Sheet No. 4SXT.

Mounting

Mounts directly to 4" outlet box, using crossbar hanger, supplied.

Note: Additional luminaire support plate provided with 35/42" diameter body to allow luminaire to be supported independent of the outlet box.

Labels

cULus. Suitable for damp locations.



Philips Lightolier
e: lol.webmaster@philips.com
t: (508) 679-8131
w: www.lightolier.com

4ST228 May 24, 2011

Specifications are subject to change without notice.
© Koninklijke Philips Electronics N.V., 2011. All rights reserved.

| | |
|------------------------|--------------|
| Job Information | Type: |
|------------------------|--------------|