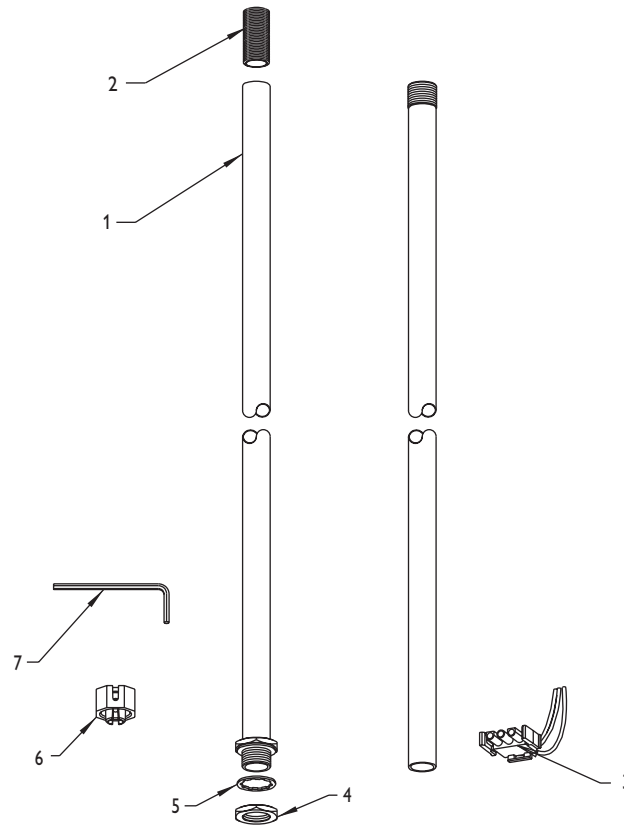


Decorative, Pandalux Suspension, 48", 96" Ext. Stem



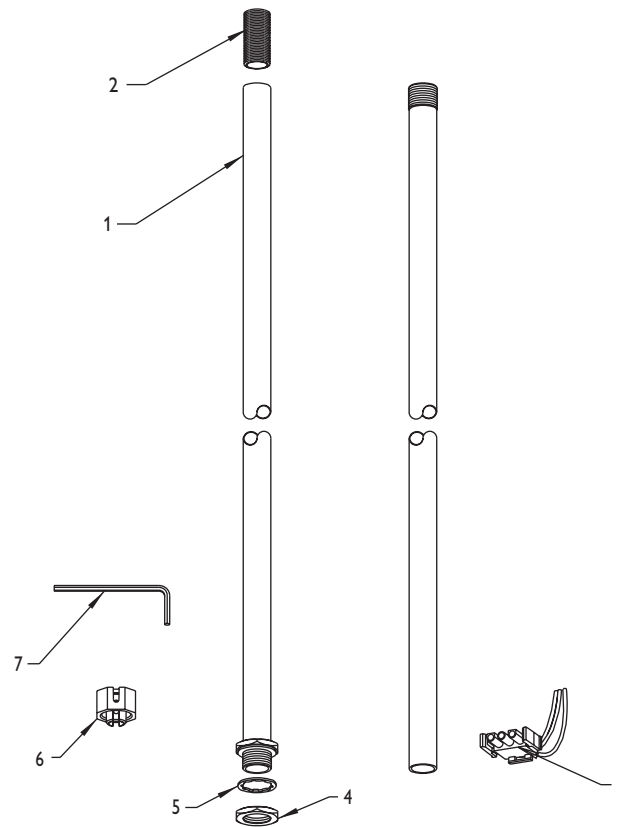
Extension kit for use with Lightolier catalog numbers 4 (A-Z) suspension series.

Ordering Information

Catalog No.	Finish	Length	Catalog No.	Finish	Length
4SXT48PB	Polished Brass	48"	4SXT96PB	Polished Brass	96"
4SXT48SB	Satin Brass	48"	4SXT96SB	Satin Brass	96"
4SXT48SN	Satin Nickel	48"	4SXT96SN	Satin Nickel	96"
4SXT48WH	White	48"	4SXT96WH	White	96"

Job Information	Type:
Job Name:	
Cat. No.:	
Notes:	

Decorative, Pandalux Suspension, 48", 96" Ext. Stem



Features

- 1. Extension Stem:** $\frac{5}{8}$ " diameter steel tubing 48" long (two provided with 4SXT96 Series extension kits.)
See page 1 for finishes.
- 2. Coupling:** Threaded coupling provided with 4SXT96 series extension kits to attach two 48" stems together.
- 3. Wiring Harness:** Male connector with three 18AWG conductors (120" long).
- 4. Hex Nut:** Two provided for attachment to suspension plate.
- 5. Lock Washer:** Two provided for attachment to suspension plate.

- 6. Drill Locator:** To assist in reinstalling $\frac{1}{8}$ " diameter hole in stem when stem has been field cut.
- 7. Allen Wrench:** $\frac{5}{64}$ " Allen wrench provided to install swivel ball (provided with standard suspension systems) to a field cut stem.

Note: For all 4SB1XXX single stem kits, extension stem replaces original stem. For all other kits, extension stem replaces short section above collection point.



Philips Lightolier
e: lol.webmaster@philips.com
t: (508) 679-8131
w: www.lightolier.com

4SXT May 24, 2011

Specifications are subject to change without notice.
© Koninklijke Philips Electronics N.V., 2011. All rights reserved.

Job Information	Type:
------------------------	--------------