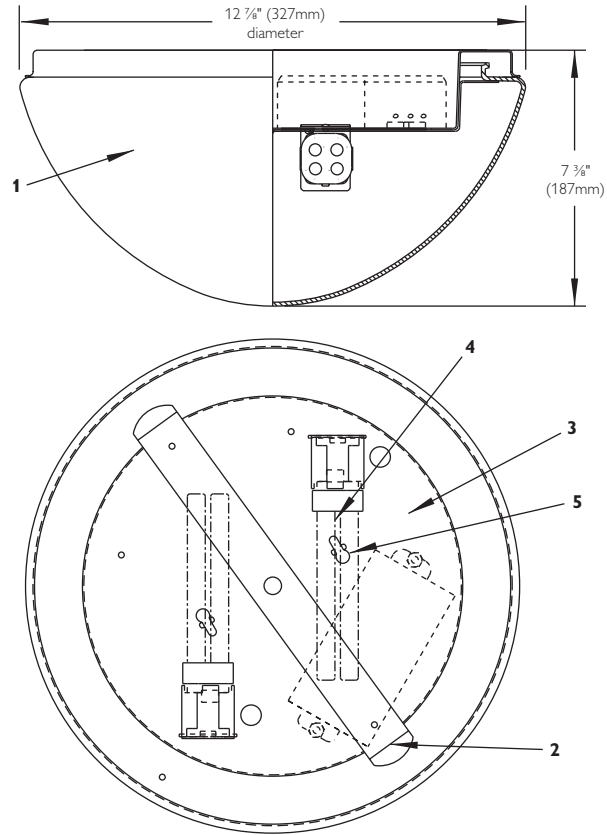


5003

Decorative, Triplex, Surface Utility

Page 1 of 3



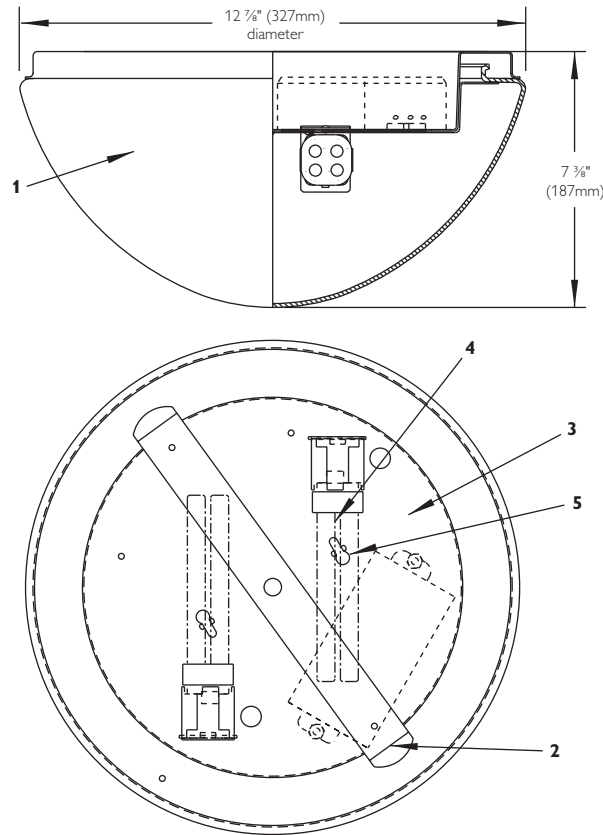
Ordering Information:

Catalog No.	Diameter	Depth	Finish	Voltage/Ballast	Lamps
5002	12 7/8"	7 3/8"	matte white	N/A	(2) A19 60W max.
5003WH218U	12 7/8"	7 3/8"	matte white	120/277V Electronic	(2) 18W Quad Tube 4-pin

Job Information	Type:
Job Name:	
Cat. No.:	
Notes:	

PHILIPS
LIGHTOLIER

Decorative, Triplex, Surface Utility



Features

1. **Diffuser:** Blown white opal glass.
2. **Bracket:** Twist-lock fastening system, no tools required.
3. **Mounting Pan:** .050" min. thickness. Aluminum.
4. **Lamps:** Compact Fluorescent or Incandescent (by others)
5. **Keyhole Mounting Slots:** For direct mounting to 4" octagonal outlet box.

Lamping

Incandescent: A19 60W max. (2)

Compact Fluorescent: 18W Quad Tube (2)

	General Electric	Osram/Sylvania	Philips
4-pin	F18 DBX/SPX*/4P	CF 18DD/E/*	PL-C18W/*

*Manufacturers' color temperature designation.

Electrical

Lampholders:

Incandescent: Medium base, porcelain, nickel-plate screw shell.

Compact Fluorescent: 4-pin, G24q-2 base

	Electronic	
Ballast:	120V	277V
Total Input Watts	42	42
Max. Line Current (amps)	.35	.15
Power Factor	>.98	>.98
Ballast Factor	1.05	1.05
THD	<10%	<10%
Min. Starting Temps.	-20°C (-4°F)	-20°C (-4°F)

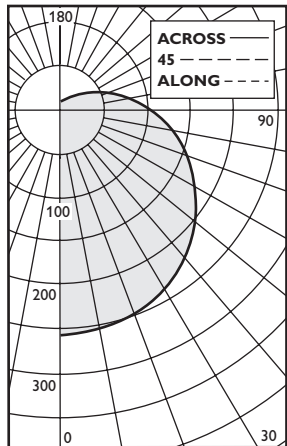
Labels

UL listed. Suitable for damp locations.

Job Information	Type:
------------------------	--------------

Decorative, Triplex, Surface Utility

Cat. No. 5003WH218U, Lightolier Surface Utility Fluorescent Triplex with twist-lock opal glass diffuser, (2) 18W Quad Tube G.E. Lamp, Lumen Rating = 1160 Lumens, Robertson Ballast #PSM218CQMVW, 120VAC



Angle	Mean CP	LMS	Angle	Mean CP	Lumens
0	255		95	90	98
5	254	25	100	80	
10	252		105	70	74
15	248	71	110	60	
20	243		115	52	52
25	236	110	120	44	
30	229		125	38	34
35	220	139	130	32	
40	211		135	27	22
45	202	157	140	24	
50	192		145	21	14
55	181	163	150	18	
60	170		155	17	8
65	159	158	160	16	
70	147		165	15	5
75	136	144	170	13	
80	124		175	12	2
85	112	12	180	12	
90	99				

		% Effective Ceiling Cavity Reflectance - Effective Floor Cavity Reflectance = .20															
		80			70			50			30			10			0
Room Cavity Ratio	RW	50	30	10	50	30	10	50	30	10	50	30	10	50	30	10	0
1		.57	.54	.51	.54	.51	.48	.49	.47	.45	.44	.43	.41	.40	.39	3.7	.35
2		.49	.44	.40	.46	.42	.38	.42	.38	.35	.38	.35	.33	.34	.32	3.0	.28
3		.42	.37	.32	.40	.35	.31	.36	.32	.29	.33	.30	.27	.30	.27	2.5	.23
4		.37	.32	.27	.35	.30	.26	.32	.28	.25	.29	.22	.19	.27	.24	2.1	.19
5		.33	.27	.23	.31	.26	.22	.29	.24	.21	.26	.22	.19	.24	.21	1.8	.16
6		.29	.24	.20	.28	.23	.19	.25	.21	.18	.23	.19	.17	.21	.18	1.5	.14
7		.26	.21	.17	.25	.20	.16	.23	.18	.15	.21	.17	.14	.19	.16	1.3	.12
8		.23	.18	.15	.22	.18	.14	.21	.16	.13	.19	.15	.12	.17	.14	1.2	.10
9		.21	.16	.13	.20	.16	.12	.19	.15	.12	.17	.14	.11	.16	.12	1.0	.09
10		.19	.14	.11	.19	.14	.11	.17	.13	.10	.16	.12	.10	.14	.11	.09	.08

Determined in accordance with current IES published procedures.

Certified Test Report
No: 1046FR
Computed by LSI Program
TEST-LITE

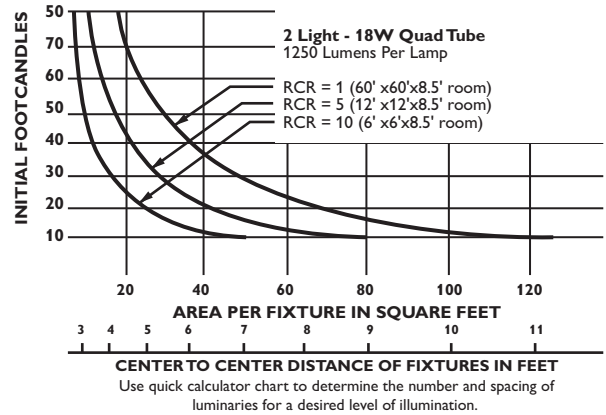
Tested according to IES procedures.
Test distance exceeds five times the greatest luminous opening of luminaire.

Spacing Ratio = 1.3

Zonal Lumens and Percentages

Zone	Lumens	%Lamp	%Luminaire
0-30	203	8.78	14.67
0-40	342	14.74	24.64
0-60	660	28.46	47.56
0-90	1083	46.68	78.01
40-90	741	31.94	53.38
60-90	422	18.22	30.45
90-180	305	13.16	21.99
0-180	1388	59.84	100.00

Efficiency = 35.8%



Philips Lightolier
e: lol.webmaster@philips.com
t: (508) 679-8131
w: www.lightolier.com

5003 May 26, 2011

Specifications are subject to change without notice.
© Koninklijke Philips Electronics N.V., 2011. All rights reserved.

Job Information Type: