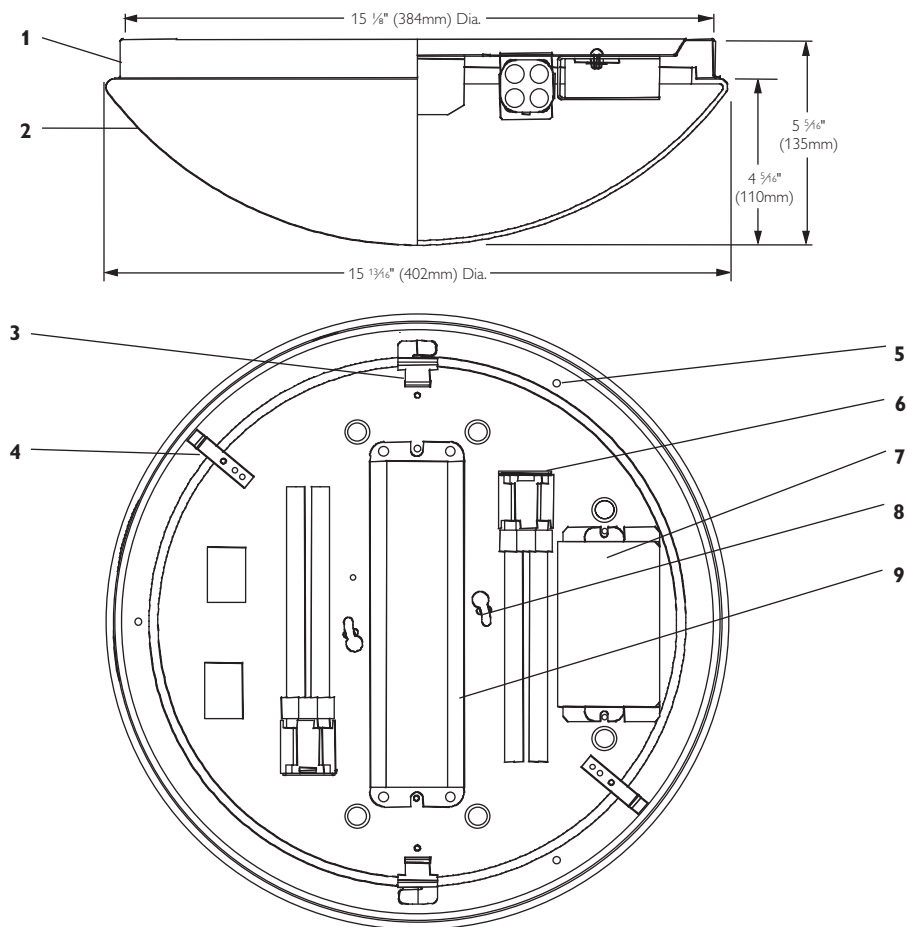


5231

Decorative, Lumidome Basic, CFL

Page 1 of 3



Ordering Information:

Catalog Number	Finish	Diameter	Depth
5231WH226U	gloss white	15 3/16"	5 5/16"

Job Information Type:

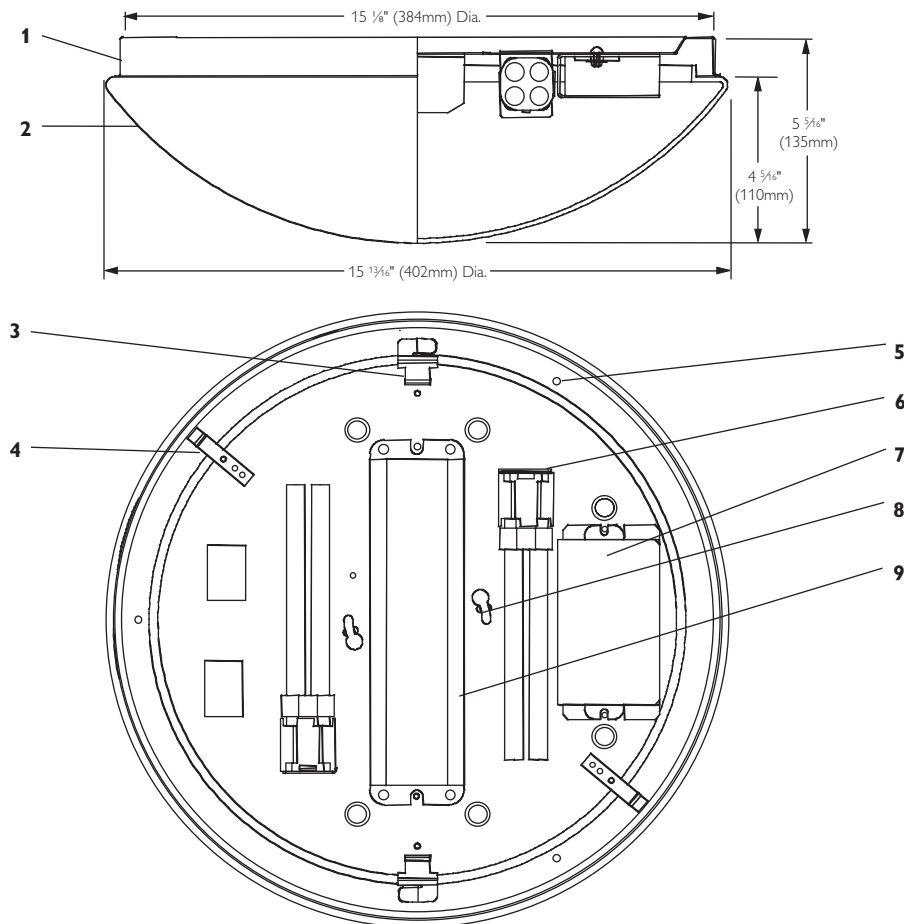
Job Name:

Cat. No.:

Notes:

PHILIPS
LIGHTOLIER

Decorative, Lumidome Basic, CFL



Features

1. **Ceiling Pan:** Die formed 16 ga. aluminum.
2. **Diffuser:** Formed white translucent acrylic.
3. **Bracket:** (2) Twist-lock fastener.
4. **Stop:** (2) Formed 18 ga. galvanized steel.
5. **Mounting Holes:** (3) $\frac{3}{16}$ " dia., 120° apart on a 14 $\frac{1}{8}$ " dia. bolt circle.
6. **Lamp Socket:** See Lamps
7. **Ballast:** See Electrical/Ballast
8. **Keyhole Mounting Slots:** (2) For direct mounting to 4" octagonal outlet box.
- †9. **Emergency Lighting:** Add suffix **E** (See Specification Sheet SU-EM)

Electrical/Ballast

	Electronic 120/277V
Total Input Watts	53
Max. Line Current (amps)	.46 / .21
Power Factor	>.98
Ballast Factor	1.0
THD	<10%
Min. Starting Temps.	-20°C (-4°F)

Labels

UL Listed. Suitable for damp locations.

†UL Listed. (for indoor dry locations only).

Job Information	Type:
------------------------	--------------

Lamping (by others)

(2)26W Quad Tube 4-Pin (G24q-3 base)

General Electric	Osram/Sylvania	Philips
F26DBXT4/SPX*/4P	CF26DD/E/*	PL-C26W/*/4P

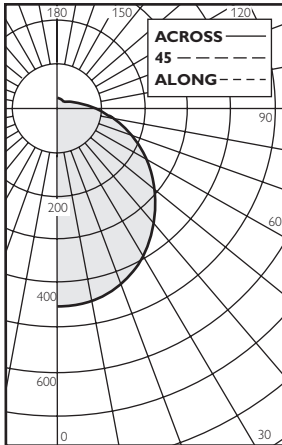
*Manufacturers' color temperature designation.

PHILIPS

LIGHTOLIER

Decorative, Lumidome Basic, CFL

Catalog No: 5231WH226U with twist acrylic diffuser, Lightolier Surface Utility Fluorescent, Lumidome,
 (2) 26W Quad tube Sylvania Lamps, Lumen Rating = 1800 Lumens, Robertson Ballast #PSM226CQMVW,
 120Vacating = 1160 LMS, Robertson Ballast #RED1L10-120R, 120 VAC



Candlepower summary

Angle	Mean CP	LMS	Angle	Mean CP	Lumens
0	450		95	79	86
5	448	43	100	64	
10	443		105	52	56
15	434	123	110	42	
20	422		115	35	36
25	407	189	120	30	
30	388		125	26	24
35	367	230	130	25	
40	342		135	24	19
45	317	246	140	24	
50	291		145	23	15
55	263	236	150	23	
60	235		155	23	11
65	209	208	160	23	
70	183		165	23	7
75	59	169	170	21	
80	136		175	19	2
85	115	126	180	21	
90	93				

Coefficients Of Utilization
 % Effective Ceiling Cavity Reflectance - Effective Floor Cavity Reflectance = .20

Room Cavity Ratio	RC	80			70			50			30			10			0		
		RW	50	30	10	50	30	10	50	30	10	50	30	10	50	30	10	0	
1	.50	.47	.45	.48	.46	.43	.44	.42	.41	.41	.40	.38	.38	.37	.36	.34	.34	.34	
2	.43	.39	.36	.41	.38	.35	.38	.36	.33	.36	.34	.31	.33	.31	.30	.28	.28	.28	
3	.37	.33	.30	.36	.32	.29	.34	.30	.28	.31	.29	.26	.29	.27	.25	.24	.24	.24	
4	.33	.29	.25	.32	.28	.25	.30	.27	.24	.28	.25	.23	.26	.24	.22	.20	.20	.20	
5	.30	.25	.22	.29	.24	.21	.27	.23	.20	.25	.22	.19	.23	.21	.19	.17	.17	.17	
6	.26	.22	.19	.26	.21	.18	.24	.20	.18	.22	.19	.17	.21	.18	.16	.15	.15	.15	
7	.24	.19	.16	.23	.19	.16	.21	.18	.15	.20	.17	.14	.19	.16	.14	.13	.13	.13	
8	.21	.17	.14	.21	.17	.14	.19	.16	.13	.18	.15	.13	.17	.14	.12	.11	.11	.11	
9	.20	.15	.12	.19	.15	.12	.18	.14	.12	.17	.14	.11	.16	.13	.11	.10	.10	.10	
10	.18	.14	.11	.17	.13	.11	.16	.13	.10	.15	.12	.10	.14	.12	.10	.09	.09	.09	

Determined in accordance with current IES published procedures.

Certified Test Report
 No: 1044FR
 Computed by LSI Program
 TEST-LITE

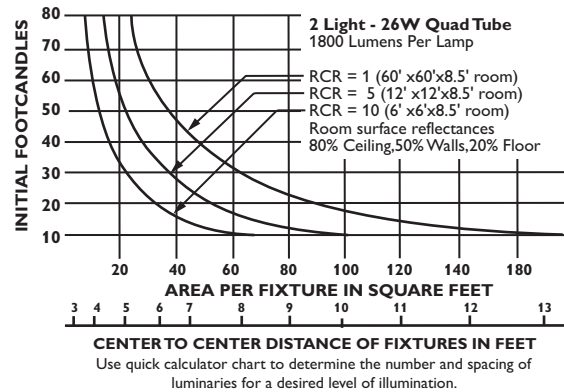
Tested according to IES procedures.
 Test distance exceeds five times the
 greatest luminous opening of luminaire.

Spacing Ratio = 1.3

Zonal Lumens and Percentages

Zone	Lumens	%Lamp	%Luminaire
0-30	353	9.82	19.44
0-40	583	6.21	32.09
0-60	1064	29.58	58.56
0-90	1565	43.49	86.10
40-90	982	27.28	54.02
60-90	500	13.92	27.55
90-180	252	7.02	13.90
0-180	1818	50.51	100.00

Efficiency = 50.5%



Use quick calculator chart to determine the number and spacing of luminaires for a desired level of illumination.



Philips Lightolier
 e: lol.webmaster@philips.com
 t: (508) 679-8131
 w: www.lightolier.com

5231 May 23, 2011

Specifications are subject to change without notice.
 © Koninklijke Philips Electronics N.V., 2011. All rights reserved.

Job Information Type: