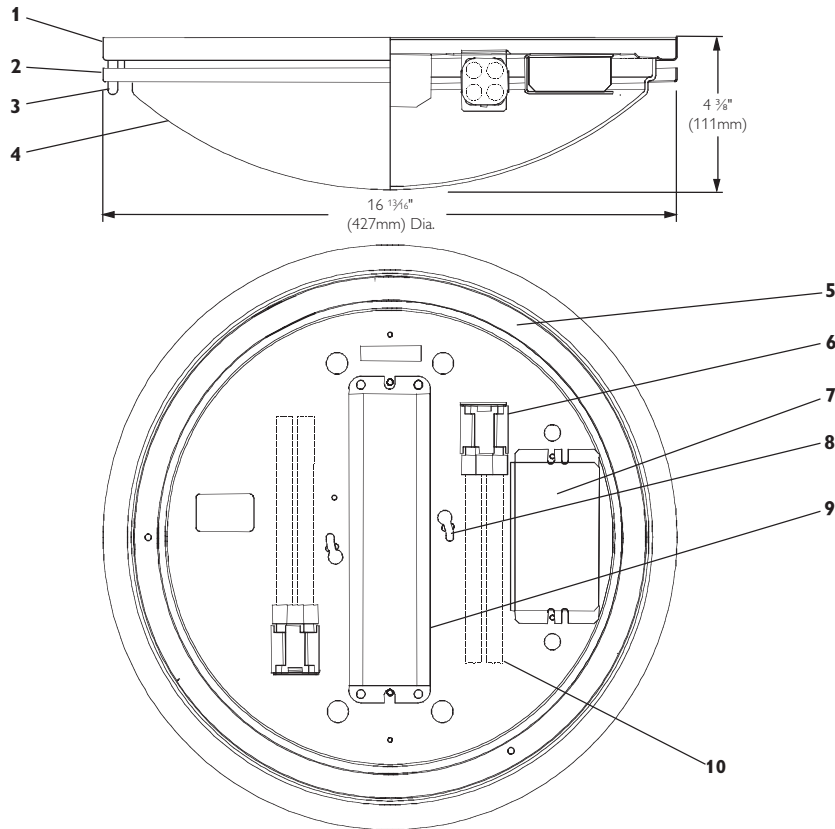


Decorative, Spill Ring, Ceiling/Wall Mounted CFL

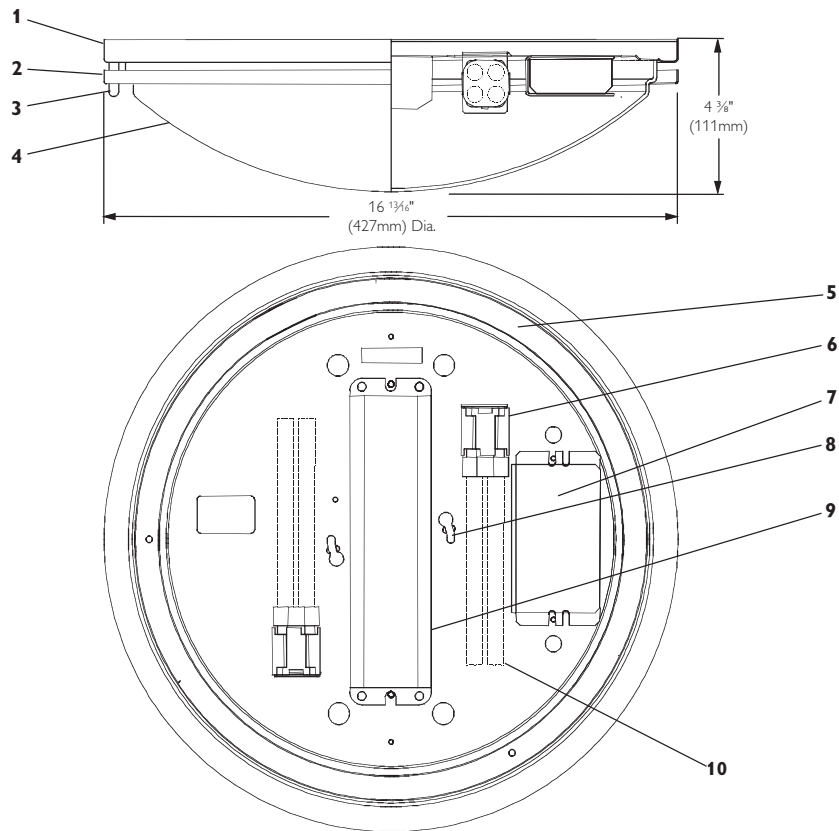


Ordering Information:

Catalog No.	Finish	Lamps			Diameter	Depth
		(2) 26 W Quad Tube 4-Pin (G24q-3base)				
5533PB226U	polished brass	General Electric	Osram/Sylvania	Philips	16 3/16"	4 3/8"
5533SN226U	satin nickel	F26DBXT4/SPX*/4P	CF26DD/E/*	PL-C-26W/*/4P	16 3/16"	4 3/8"
5533WH226U	gloss white	*Manufacturers' color temperature designation.			16 3/16"	4 3/8"

Job Information	Type:
Job Name:	
Cat. No.:	
Notes:	

Decorative, Spill Ring, Ceiling/Wall Mounted CFL

**Features**

1. **Ceiling Pan:** Die-formed 16 ga. aluminum.
2. **Trim Ring:** Formed 16 ga. aluminum.
3. **Knob:** (3) Turned brass.
4. **Diffuser:** Formed white translucent acrylic.
5. **Mounting Holes:** (3) $\frac{3}{16}$ " Dia., 120° apart on a 3" dia. bolt circle.
6. **Lamp Socket:** See Lamps.
7. **Ballast:** See Electrical/Ballast
8. **Keyhole Mounting Slots:** (2) for direct mounting to 4" octagonal outlet box.
- †9. **Emergency Lighting:** Add suffix E
(See Specification Sheet SU-EM)
10. **Lamps:** 26W Compact Fluorescent Quad Tube (by others).

Electrical/Ballast

	Electronic 120/277V
Total Input Watts	53
Max. Line Current (amps)	.46/.21
Power Factor	>.98
Ballast Factor	1.0
THD	<10%
Min. Starting Temps.	-20°C (-4°F)

Labels

UL Listed, suitable for damp locations.

†UL Listed, (for indoor dry locations only).

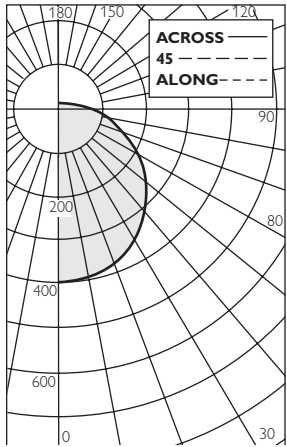
Job Information	Type:
------------------------	--------------

PHILIPS

LIGHTOLIER

Decorative, Spill Ring, Ceiling/Wall Mounted CFL

Catalog No. 5533WH226U, Lightolier Surface Utility Fluorescent Spill Ring w/enclosed acrylic diffuser,
2-26W Dulux D/E Sylvania Lamps, 1800 Lumens, Robertson Ballast #PSM226CQMVW, 120VAC



Angle	Mean	Lumens	Angle	Mean	Lumens
0	402		95	52	58
5	401	39	100	40	
10	396		105	30	32
15	388	110	110	22	
20	377		115	18	18
25	363	168	120	15	
30	346		125	13	12
35	326	205	130	11	
40	304		135	10	8
45	281	217	140	9	
50	255		145	9	6
55	227	205	150	8	
60	200		155	8	4
65	175	174	160	7	
70	150		165	6	2
75	127	136	170	5	
80	106		175	5	1
85	86	94	180	5	
90	66				

Zone	Lumens	%Lamp	%Fixt
0-30	315	8.77	21.29
0-40	520	14.45	35.10
0-60	941	26.14	63.50
0-90	1343	37.33	90.68
40-90	823	22.88	55.58
60-90	402	11.19	27.18
90-180	138	3.84	9.32
0-180	1481	41.16	100.00

Efficiency = 41.2%

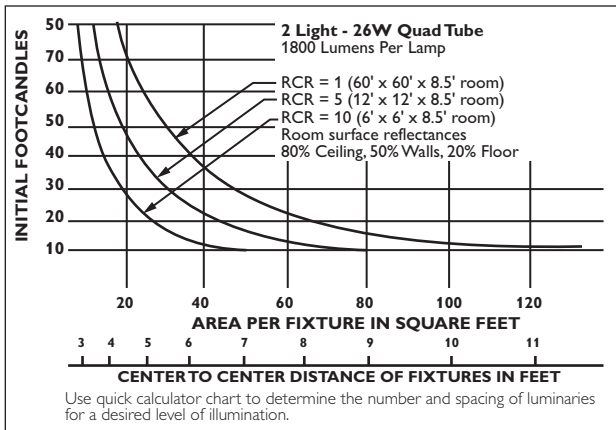
Coefficients Of Utilization - Zonal Cavity Method
Effective Floor Cavity Reflectance = .20

	RC	80			70			50			30			10			0
		RW	50	30	10	50	30	10	50	30	10	50	30	10	50	30	10
Room Cavity Ratio	1	.41	.39	.37	.40	.38	.36	.37	.36	.34	.35	.34	.33	.33	.32	.31	.30
	2	.36	.33	.30	.35	.32	.30	.32	.30	.28	.31	.29	.27	.29	.27	.26	.25
	3	.31	.28	.25	.30	.27	.25	.29	.26	.24	.27	.25	.23	.25	.23	.22	.21
	4	.28	.24	.21	.27	.24	.21	.26	.23	.20	.24	.22	.20	.23	.21	.19	.18
	5	.25	.21	.18	.24	.21	.18	.23	.20	.17	.22	.19	.17	.20	.18	.16	.15
	6	.22	.18	.16	.22	.18	.15	.20	.17	.15	.19	.17	.15	.18	.16	.14	.13
	7	.20	.16	.14	.19	.16	.13	.18	.15	.13	.17	.15	.13	.17	.14	.12	.11
	8	.18	.14	.12	.17	.14	.12	.17	.14	.11	.16	.13	.11	.15	.13	.11	.10
	9	.16	.13	.10	.16	.13	.10	.15	.12	.10	.14	.12	.10	.14	.11	.10	.09
	10	.15	.11	.09	.14	.11	.09	.14	.11	.09	.13	.11	.09	.13	.10	.08	.08

Determined in accordance with current IES published procedures

Certified Test Report
No: 1104FR
Computed by LSI Program
TEST-LITE

Tested according to IES procedures.
Test distance exceeds five times the greatest luminous opening of luminaire.



SPACING RATIO = 1.3



Philips Lightolier
e: lol.webmaster@philips.com
t: (508) 679-8131
w: www.lightolier.com
5533 May 31, 2011

Specifications are subject to change without notice.
© Koninklijke Philips Electronics N.V., 2011. All rights reserved.

Job Information Type: