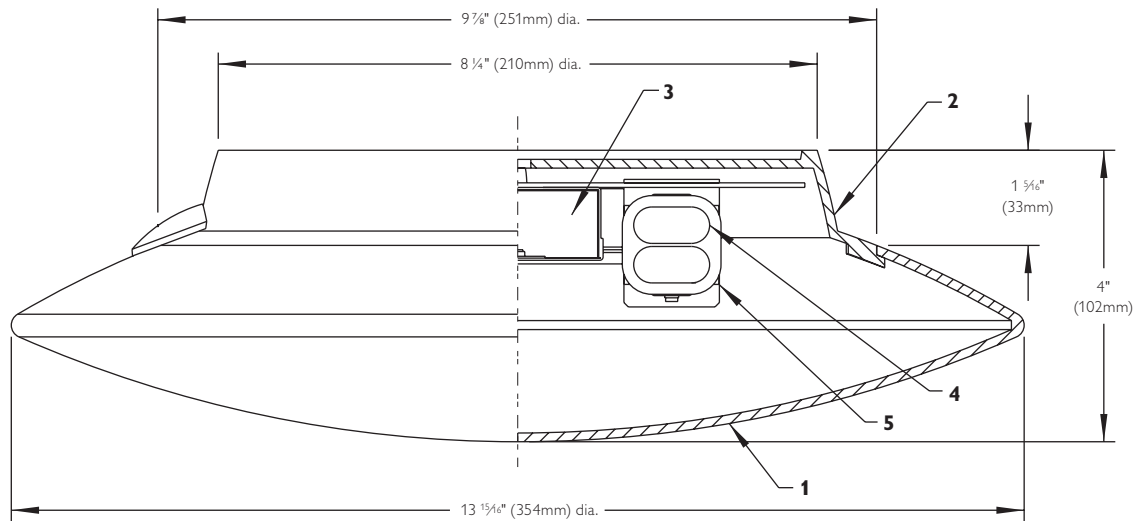


6700MS213U

Decorative, Discus, 2 Lt. 13W CFL

Page 1 of 3



Ordering Information

Catalog Number	Finish	Wattage	Voltage	Lamping Quad Tube, 4-Pin G24-q-1		
6700MS213U	matte silver	13W	120V/277V	General Electric	Osram/Sylvania	Philips
				F13DBX/*/4P	CF13DD/E/*	PL-C13W/*/A/4P

*Designates manufacturers' color temperature

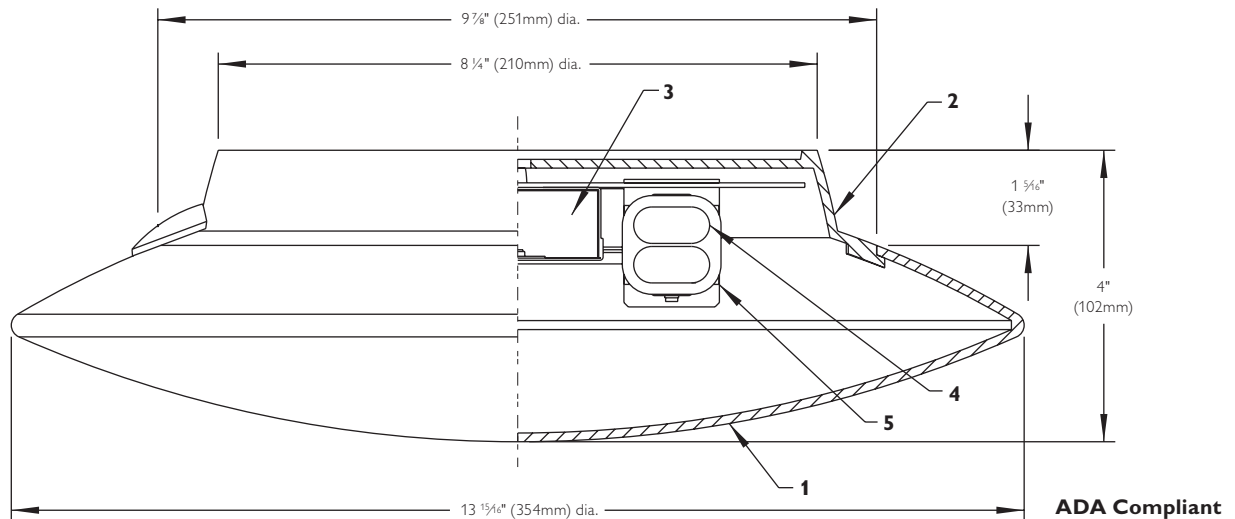
Job Information	Type:
Job Name:	
Cat. No.:	
Notes:	

PHILIPS
LIGHTOLIER

6700MS213U

Decorative, Discus, 2 Lt. 13W CFL

Page 2 of 3



Features

- 1. Diffuser:** Acrylic, injection molded and bonded into one piece assembly; 0.12" minimum thickness; 70% light transmission. Lights evenly without discernible hot spots. Integral tabs provide "twist-lock" installation; no loose hardware, no tools required.
- 2. Housing:** Polycarbonate, injection molded. Shatter resistant. Integral bosses retain diffuser without loose hardware.
- 3. Ballast:** Electronic; High power factor; Class P. See Electrical/Ballast.
- 4. Lamp:** 13W Quad Tube, Compact Fluorescent (by others).

Mounting

Ceiling or wall (ADA compliant). Mounts to standard 4" outlet box.

Options

- Shatter resistant polycarbonate diffuser with tamper proof set screw. Add TPR to end of catalog number.
- + Designates made to order only. Consult factory for lead times.

Electrical/Ballast

	13W Quad Tube	
	120V	277V
Total Input Watts:	32	32
Max Line Current:	.27	.12
Power Factor:	>.98	>.98
Ballast Factor:	.98	.98
THD:	<10%	<10%
Min. Starting Temp:	0°F	0°F

Labels

UL Listed. Suitable for damp locations.

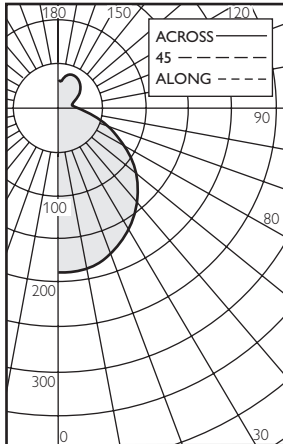
Job Information Type:

PHILIPS
LIGHTOLIER

6700MS213U

Decorative, Discus, 2 Lt. 13W CFL

Lightolier Surface Utility Fluorescent, Discus, Catalog No. 6700MW213U with twist lock diffuser, 2-13W Quad Tube G.E. Lamps, Lumen Rating = 900 LMS, ESI Ballast #ES-2/1-CFQ-13/10-UNVD, 120VAC



Angle	Mean CP	LMS	Angle	Mean CP	LMS
0	188		90	18	
5	188	18	95	16	18
10	185		100	16	
15	182	51	105	17	18
20	176		110	20	
25	169	79	115	23	23
30	161		120	26	
35	152	95	125	29	26
40	141		130	33	
45	129	100	135	36	28
50	116		140	38	
55	102	91	145	39	24
60	87		150	40	
65	72	72	155	39	18
70	58		160	39	
75	44	47	165	38	10
80	33		170	34	
85	24	27	175	30	3
90	18		180	29	

Zone	Lumens	%Lamp	%Luminaire
0-30	147	8.19	19.70
0-40	242	13.48	32.41
0-60	433	24.08	57.90
0-90	579	32.19	77.42
40-90	336	18.72	45.01
60-90	146	8.12	19.52
90-180	169	9.39	22.58
0-180	748	41.58	100.00

Efficiency = 41.6%

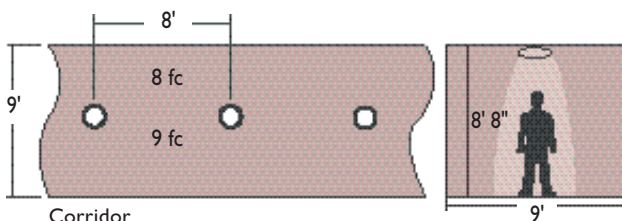
		% Effective Ceiling Cavity Reflectance - Effective Floor Cavity Reflectance = .20																
		80			70			50			30			10			0	
		RW	50	30	10	50	30	10	50	30	10	50	30	10	50	30	10	0
Room Cavity Ratio	1	.41	.39	.38	.39	.38	.36	.36	.35	.33	.33	.32	.31	.30	.29	.28	.27	.27
	2	.36	.33	.31	.34	.32	.30	.31	.29	.28	.29	.27	.26	.26	.23	.24	.23	.23
	3	.32	.28	.26	.30	.27	.25	.28	.25	.23	.25	.24	.22	.23	.22	.20	.19	.19
	4	.28	.25	.22	.27	.24	.21	.25	.22	.20	.23	.21	.19	.21	.19	.18	.17	.17
	5	.25	.22	.19	.24	.21	.18	.22	.19	.17	.20	.18	.16	.19	.17	.15	.14	.14
	6	.22	.19	.16	.22	.18	.16	.20	.17	.15	.18	.16	.14	.17	.15	.13	.12	.12
	7	.20	.17	.14	.19	.16	.14	.18	.15	.13	.16	.14	.12	.15	.13	.12	.11	.11
	8	.18	.15	.12	.17	.14	.12	.16	.13	.12	.15	.13	.11	.14	.12	.10	.09	.09
	9	.17	.13	.11	.16	.13	.11	.15	.12	.10	.14	.11	.10	.13	.11	.09	.08	.08
	10	.15	.12	.10	.14	.12	.09	.13	.11	.09	.12	.10	.08	.12	.09	.08	.07	.07

Certified Test Report
No: 1854FR
Computed by LSI Program
TEST-LITE

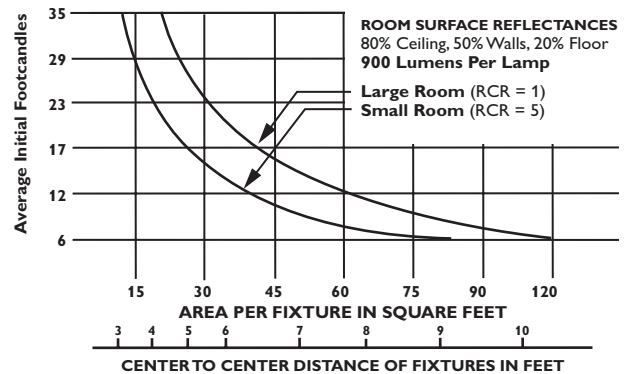
Date: May 31, 2002
Prepared for:
Lightolier
Fall River, MA

Tested according to IES procedures.
Test distance exceeds five times the
greatest luminous opening of luminaire.

Spacing Ratio = 1.3



Corridor
6700MS213U
4.5 fc, average
0.44W/sf



Use quick calculator chart to determine the spacing of
2 light, 38 Watt units for a desired level of illumination.



Philips Lightolier
e: lol.webmaster@philips.com
t: (508) 679-8131
w: www.lightolier.com
6700MS213U May 31, 2011

Specifications are subject to change without notice.
© Koninklijke Philips Electronics N.V., 2011. All rights reserved.

Job Information Type: