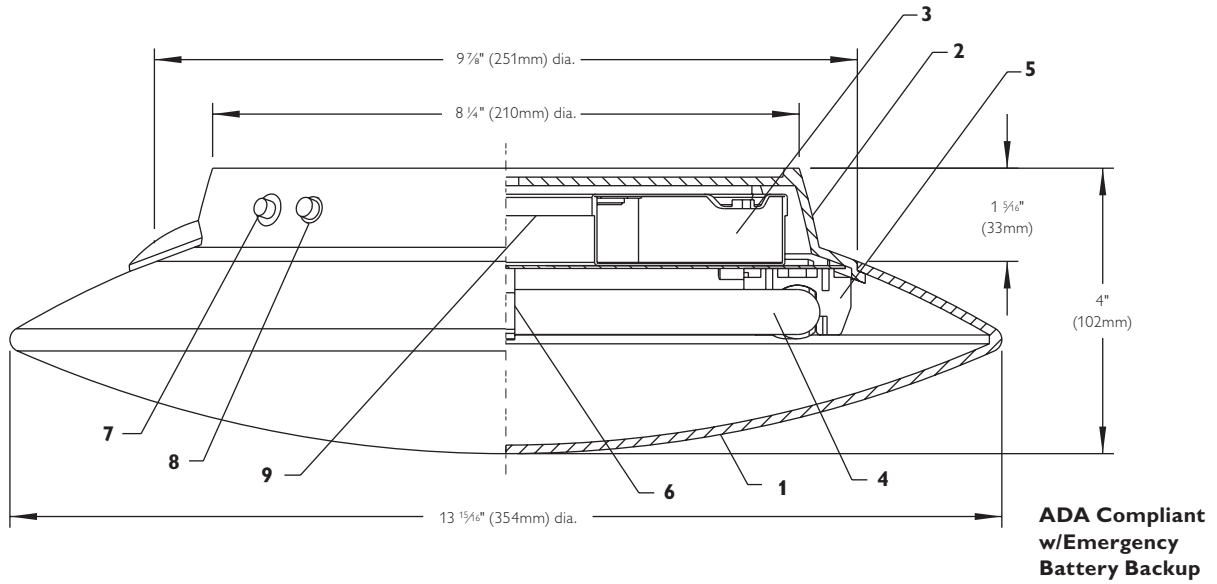


# 6700S2UEM

Decorative, Circline Fluorescent, 1 Lt. 22W

Page 1 of 3



## Ordering Information

Catalog Number	Finish	Wattage	Voltage	Lamping	
6700S2UEM	matte silver	22W	120V/277V	Philips FC9T5/*	Sylvania FPC22/*

\*Designates manufacturers' color temperature.

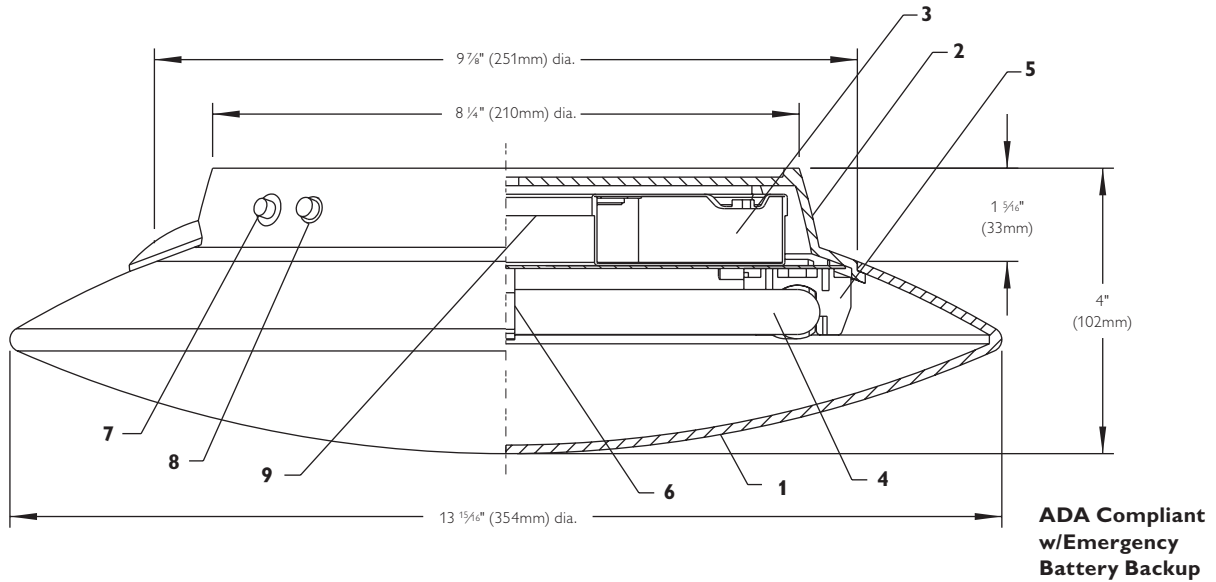
Job Information	Type:
Job Name:	
Cat. No.:	
Notes:	

**PHILIPS**  
**LIGHTOLIER**

# 6700S2UEM

## Decorative, Circline Fluorescent, 1 Lt. 22W

Page 2 of 3



### Features

- 1. Diffuser:** Acrylic, injection molded and bonded into one piece assembly; 0.12" minimum thickness; 70% light transmission. Lights evenly without discernible hot spots. Integral tabs provide "twist-lock" installation; no loose hardware, no tools required.
- 2. Housing:** Polycarbonate, injection molded. Shatter resistant. Integral bosses retain diffuser without loose hardware. Tamperproof fastener is optional.
- 3. Ballast:** Electronic; High power factor; Class P. See Electrical/Ballast.
- 4. Lamp:** 22W, T5, Circline; 2GX13 base (by others).
- 5. Lamp Socket:** Polycarbonate, 4-Pin, 2GX13 base.
- 6. Lamp Support Clip:** .020" thick, spring steel.
- 7. Test Switch:** Single pole.
- 8. Charge Indicator Light:** LED
- 9. Battery Pack:** Provides 90-minute emergency lighting when AC power fails. Long life nickel cadmium battery; charges from 120 and 277VAC. Meets National Electric and Life Safety Code.

### Mounting

Ceiling or wall (ADA compliant). Mounts to standard 4" outlet box.

### Options

- Shatter resistant polycarbonate diffuser with tamper proof set screw. Add TPR to end of catalog number.
- + Designates made to order only. Consult factory for lead times.

### Electrical/Ballast

#### 22W Lamps

	120V	277V
Total Input Watts:	25	25
Max Line Current:	.22	.10
Power Factor:	>.98	>.98
Ballast Factor:	1.00	1.00
THD:	<10%	<10%
Min. Starting Temp:	0°F	0°F

### Emergency/Ballast

Recharge Time	Charging Current	Lumens
24 hours	280MA	600

### Labels

UL Listed. Suitable for dry locations.

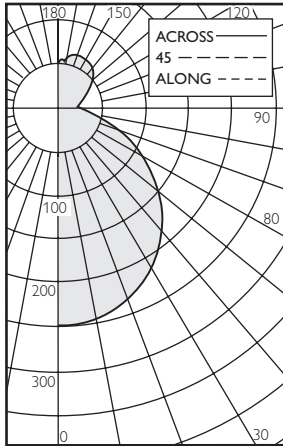
Job Information	Type:
-----------------	-------

**PHILIPS**  
**LIGHTOLIER**

# 6700S2UEM

## Decorative, Circline Fluorescent, 1 Lt. 22W

Lightolier Surface Utility Fluorescent, Discus with twist lock diffuser, 22W T5 Circline Sylvania Lamp, Lumen Rating = 1800 LMS, Magnetek Ballast #C2642UNVSE, 120V



Candlepower summary					
Angle	Mean CP	LMS	Angle	Mean CP	LMS
0	247		90	28	
5	246	24	95	25	29
10	243		100	25	
15	238	68	105	28	30
20	232		110	32	
25	222	103	115	37	37
30	212		120	42	
35	199	125	125	48	44
40	185		130	54	
45	169	131	135	58	45
50	152		140	61	
55	133	120	145	64	40
60	114		150	65	
65	94	94	155	65	31
70	76		160	65	
75	59	64	165	64	18
80	46		170	59	
85	35	40	175	57	6
90	28		180	54	

Zonal Lumens and Percentages			
Zone	Lumens	%Lamp	%Luminaire
0-30	193	10.76	18.58
0-40	318	17.69	30.57
0-60	568	31.59	54.57
0-90	765	42.52	73.45
40-90	446	24.83	42.89
60-90	196	10.93	18.89
90-180	276	15.37	26.55
0-180	1042	57.89	100.00

\*\*Efficiency = 57.9%\*\*

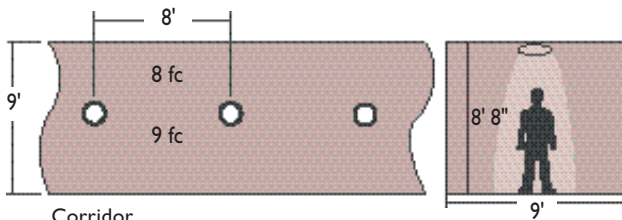
Coefficients Of Utilization																
% Effective Ceiling Cavity Reflectance - Effective Floor Cavity Reflectance = .20																
Room Cavity Ratio	RC	80			70			50			30			0		
	RWV	50	30	10	50	30	10	50	30	10	50	30	10	0		
1	.57	.54	.52	.54	.52	.50	.49	.47	.45	.44	.42	.41	.39	.38	.37	.35
2	.49	.46	.42	.47	.43	.41	.42	.40	.37	.38	.36	.34	.34	.33	.31	.29
3	.43	.39	.35	.47	.41	.37	.38	.34	.32	.34	.31	.29	.31	.29	.27	.23
4	.39	.34	.30	.43	.37	.34	.32	.33	.30	.30	.27	.25	.27	.25	.23	.21
5	.34	.29	.25	.39	.32	.29	.28	.30	.26	.27	.24	.21	.24	.22	.20	.18
6	.30	.25	.22	.36	.29	.24	.24	.26	.23	.24	.21	.18	.22	.19	.17	.16
7	.27	.22	.19	.33	.26	.21	.22	.24	.20	.22	.18	.16	.20	.17	.15	.14
8	.24	.20	.16	.30	.23	.18	.19	.21	.18	.20	.16	.14	.18	.15	.13	.12
9	.22	.17	.14	.28	.21	.16	.17	.19	.16	.18	.14	.12	.16	.13	.11	.10
10	.20	.15	.12	.26	.19	.14	.15	.18	.14	.16	.13	.11	.15	.12	.10	.09

Certified Test Report  
No: 1927FR  
Computed by LSI Program  
\*\*TEST-LITE\*\*

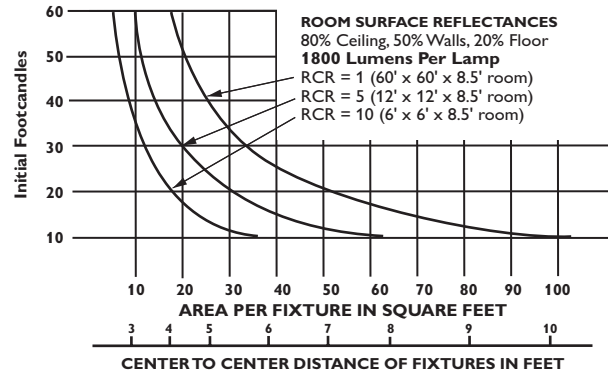
Date: June 25, 2002  
Prepared for:  
Lightolier  
Fall River, MA

Tested according to IES procedures.  
Test distance exceeds five times the  
greatest luminous opening of luminaire.

Spacing Ratio = 1.3



Corridor  
6700MS22U  
6.4 fc. average  
0.35W/sf



Use quick calculator chart to determine the number and spacing of luminaires for desired level of illumination.



Philips Lightolier  
e: lol.webmaster@philips.com  
t: (508) 679-8131  
w: www.lightolier.com

6700S2UEM May 31, 2011

Specifications are subject to change without notice.  
© Koninklijke Philips Electronics N.V., 2011. All rights reserved.

**Job Information Type:**