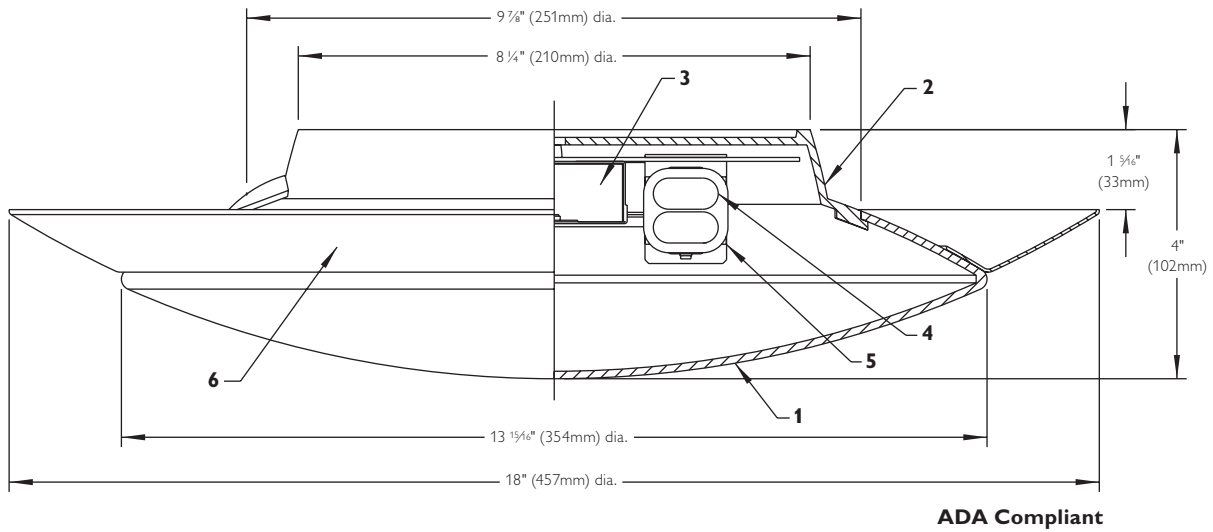


6706MS213U

Decorative, Discus, CFL, 2 Lt. 13W

Page 1 of 2



Ordering Information

| Catalog Number | Finish | Wattage | Voltage | Lamping | | |
|----------------|--------------|---------|-----------|------------------|----------------|----------------|
| 6706MS213U | matte silver | 13W | 120V/277V | General Electric | Osram/Sylvania | Philips |
| | | | | TF13DBX/*/4P | CF13DD/E/* | PL-C13W/*/A/4P |

*Designates manufacturers' color temperature.

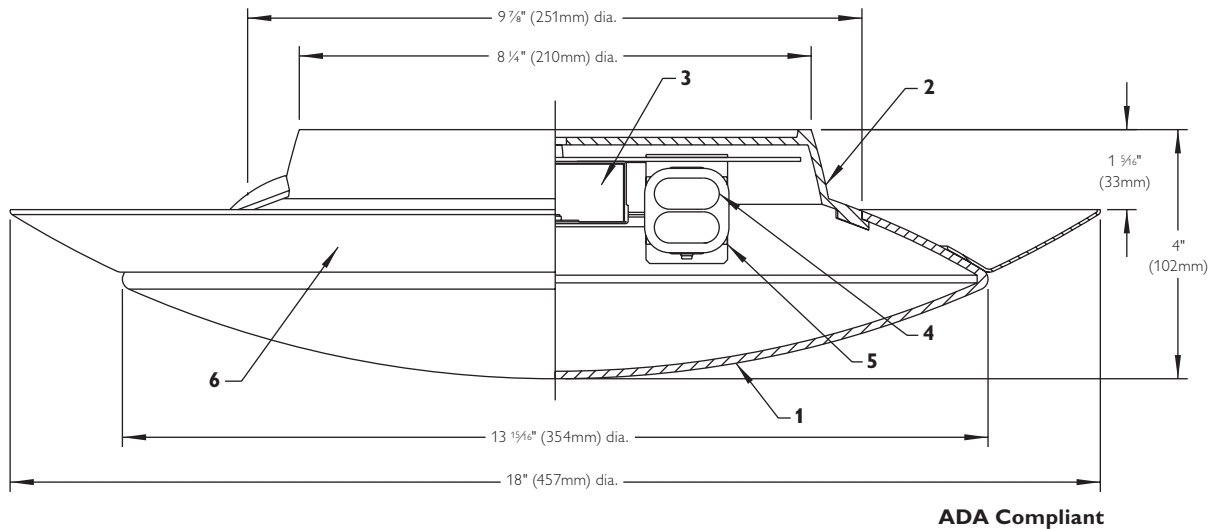
| Job Information | Type: |
|-----------------|-------|
| Job Name: | |
| Cat. No.: | |
| Notes: | |

PHILIPS
LIGHTOLIER

6706MS213U

Decorative, Discus, CFL, 2 Lt. 13W

Page 2 of 2



Features

- 1. Diffuser:** Acrylic, injection molded and bonded into one piece assembly; 0.12" minimum thickness; 70% light transmission. Lights evenly without discernible hot spots. Integral tabs provide "twist-lock" installation; no loose hardware, no tools required.
- 2. Housing:** Polycarbonate, injection molded. Shatter resistant. Integral bosses retain diffuser without loose hardware.
- 3. Ballast:** Electronic; High power factor; Class P. See Electrical/Ballast.
- 4. Lamp:** 13W Quad Tube, Compact Fluorescent (by others).
- 5. Lamp Socket:** Polycarbonate, 4-Pin, G24q-1 base.
- 6. Trim Ring:** 16 gauge die formed aluminum. Brushed aluminum finish

Mounting

Ceiling or wall (ADA compliant). Mounts to standard 4" outlet box.

Options

- Shatter resistant polycarbonate diffuser. Add TP to end of catalog number.
- + Designates made to order only. Consult factory for lead times.

Electrical/Ballast

| | 13W Lamp | |
|---------------------|----------|------|
| | 120V | 277V |
| Total Input Watts: | 32 | 32 |
| Max Line Current: | .27 | .12 |
| Power Factor: | >.98 | >.98 |
| Ballast Factor: | .98 | .98 |
| THD: | <10% | <10% |
| Min. Starting Temp: | 0°F | 0°F |

Labels

UL Listed. Suitable for damp locations.



Philips Lightolier
e: lol.webmaster@philips.com
t: (508) 679-8131
w: www.lightolier.com

6706MS213U May 31, 2011

Specifications are subject to change without notice.
© Koninklijke Philips Electronics N.V., 2011. All rights reserved.

| | |
|------------------------|--------------|
| Job Information | Type: |
|------------------------|--------------|