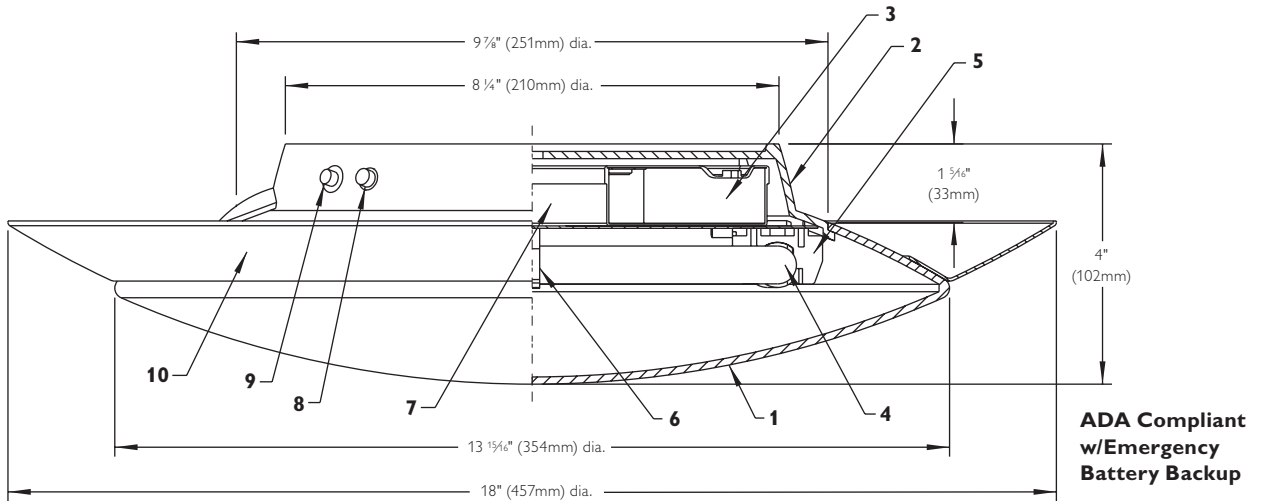


6706S2UEM

Decorative, Discus, CFL, 1 Lt. 22W

Page 1 of 2



Ordering Information

Catalog Number	Finish	Wattage	Voltage	Lamping	
6706S2UEM	matte silver	22W	120V/277V	Philips FC9T5/*	Sylvania FPC22/*

*Designates manufacturers' color temperature.

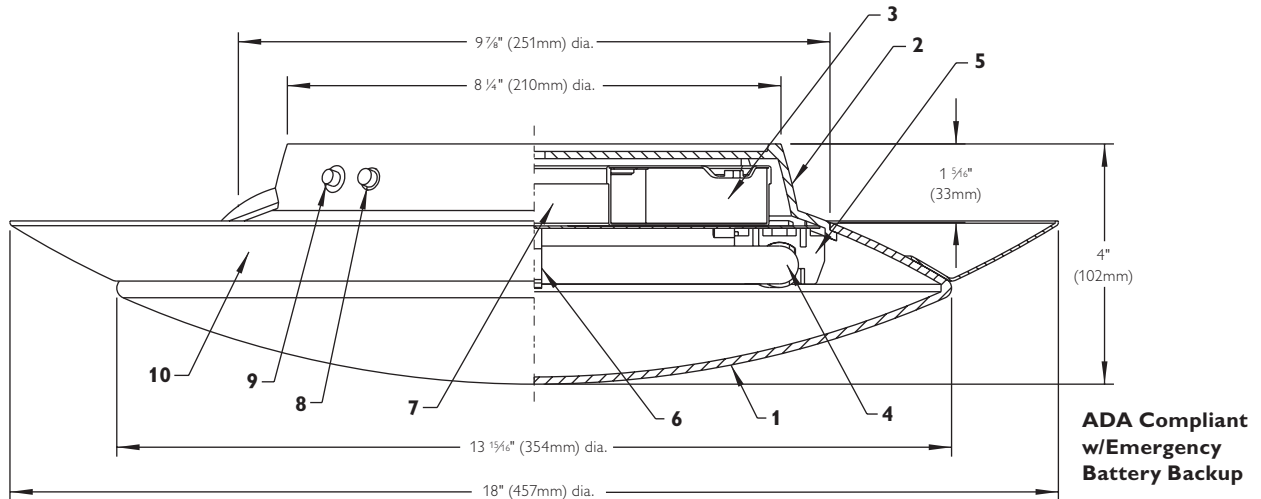
Job Information	Type:
Job Name:	
Cat. No.:	
Notes:	

PHILIPS
LIGHTOLIER

6706S2UEM

Decorative, Discus, CFL, 1 Lt. 22W

Page 2 of 2



Features

- 1. Diffuser:** Acrylic, injection molded and bonded into one piece assembly; 0.12" minimum thickness; 70% light transmission. Lights evenly without discernible hot spots. Integral tabs provide "twist-lock" installation; no loose hardware, no tools required.
- 2. Housing:** Polycarbonate, injection molded. Shatter resistant. Integral bosses retain diffuser without loose hardware. Tamperproof fastener is optional.
- 3. Ballast:** Electronic; High power factor; Class P. See Electrical/Ballast.
- 4. Lamp:** 22W, T5, Circline; 2GX13 base (by others).
- 5. Lamp Socket:** Polycarbonate, 4-Pin, 2GX13 base.
- 6. Lamp Support Clip:** .020" thick, spring steel.
- 7. Battery Pack:** Provides 90-minute emergency lighting when AC power fails. Long life nickel cadmium battery; charges from 120 and 277VAC. Meets National Electric and Life Safety Code.
- 8. Charge Indicator Light:** LED
- 9. Test Switch:** Single Pole.
- 10. Trim Ring:** 16 gauge die formed aluminum. Brushed aluminum finish.

Mounting

Ceiling or wall (ADA compliant). Mounts to standard 4" outlet box.

Options

- Shatter resistant polycarbonate diffuser with tamper proof set screw. Add TPR to end of catalog number.
- + Designates made to order only. Consult factory for lead times.

Electrical/Ballast

	22W Lamps	
	120V	277V
Total Input Watts:	25	25
Max Line Current:	.22	.10
Power Factor:	>.98	>.98
Ballast Factor:	1.00	1.00
THD:	<10%	<10%
Min. Starting Temp:	0°F	0°F

Emergency/Ballast

Recharge Time	Charging Current	Lumens
24 hours	280MA	600

Labels

UL Listed. Suitable for dry locations.



Philips Lightolier
 e: lol.webmaster@philips.com
 t: (508) 679-8131
 w: www.lightolier.com

6706S2UEM May 31, 2011

Specifications are subject to change without notice.
 © Koninklijke Philips Electronics N.V., 2011. All rights reserved.

Job Information	Type:
------------------------	--------------