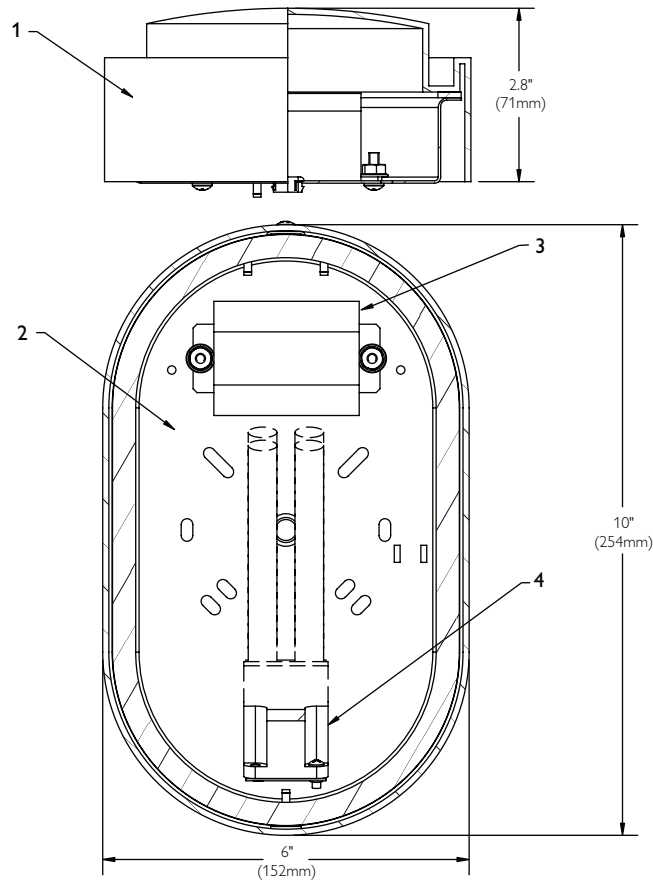


6737

Decorative, Lumironde, CFL

Page 1 of 2



Ceiling Pan Only

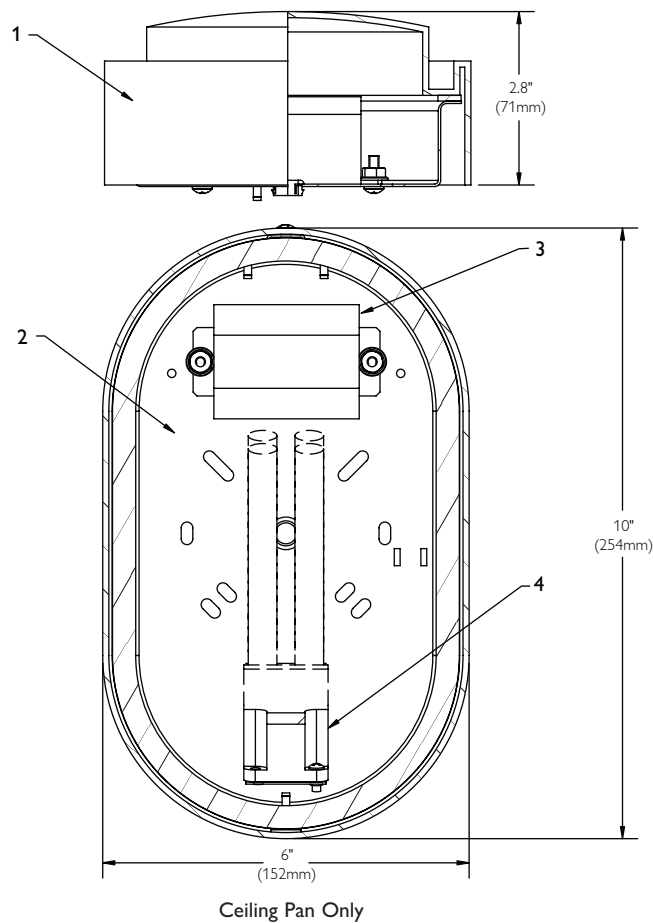
Ordering Information:

Catalog Number	Finish	Ballast
6737WH	Matte White	Magnetic NPF 120V
6738BK	Matte Black	Magnetic NPF 120V

Job Information	Type:
Job Name:	
Cat. No.:	
Notes:	

PHILIPS
LIGHTOLIER

Decorative, Lumironde, CFL



Features

1. **Diffuser:** Injection molded white translucent polycarbonate.
2. **Screw:** Diffuser removal, tamper proof.
3. **Ballast:** Magnetic NPF 120V.
4. **Ceiling Pan:** 16 ga. die formed aluminum.
5. **Lamps:** Compact fluorescent (by others).
6. **Mounting:** K.O.'s for direct mounting to 3" or 4" octagonal junction boxes.

Lamping

Compact Fluorescent: (2)13W Twin Tube 2-pin

General Electric	Osram/Sylvania	Philips
F13BX/SPX*	CF13DS/*	PL-S13W/*

*Manufacturers' color temperature designation.
13W lamp rated to start at 32°F.



Philips Lightolier
e: lol.webmaster@philips.com
t: (508) 679-8131
w: www.lightolier.com

6737 June 7, 2011

Specifications are subject to change without notice.
© Koninklijke Philips Electronics N.V., 2011. All rights reserved.

Electrical

Lampholders:	CFL: 2-pin, GX23 base
Ballast:	Magnetic 120V
Total Input Watts	14
Max. Line Current (amps)	.24
Power Factor	NPF
Ballast Factor	.8
THD	<10%
Min. Starting Temps.	0°C (32°F)

Labels

UL Listed. Suitable for wet locations.

Job Information	Type:
------------------------	--------------