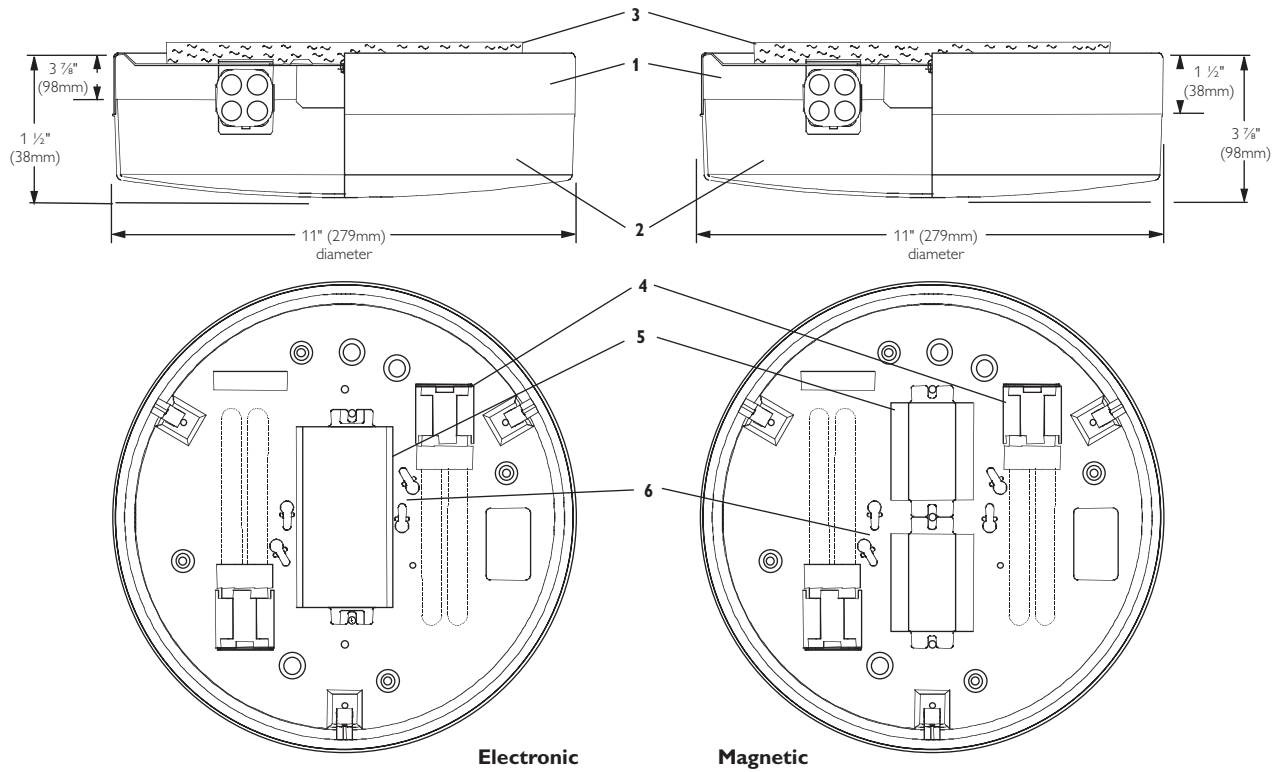


Decorative, Lumidisc, Ceiling/Wall Mount, CFL

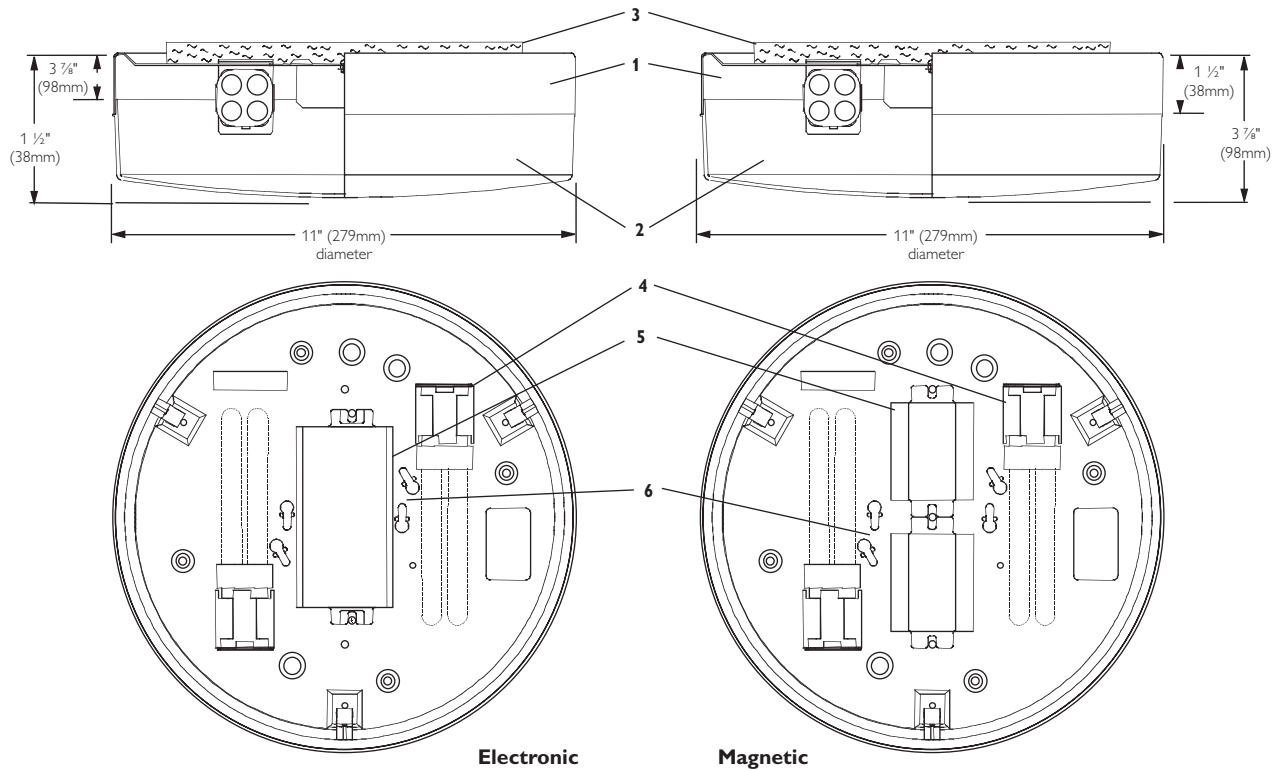


Ordering Information:

Catalog No.	Diameter	Depth	Finish	Voltage/Ballast
6750WH213U	11"	3 7/8"	gloss white	Electronic 120/277V
6750WH213N1	11"	3 7/8"		Magnetic NPF 120V

Job Information	Type:
Job Name:	
Cat. No.:	
Notes:	

Decorative, Lumidisc, Ceiling/Wall Mount, CFL



Features

1. **Ceiling Pan:** Die formed 16 ga. aluminum.
2. **Diffuser:** Injection molded white translucent acrylic with twist-lock fastening feature.
3. **Insulation Pad:** 1" thick fiberglass.
4. **Lamp Socket:** Electronic Ballast: (2) 4-pin G24q-1 base.
Magnetic Ballast: (2) 2-pin GX23-2 base.
5. **Ballast:** See Electrical/Ballast.

Lamping

(2) 13W Quad Tube 4-pin (G24q-1 base)

General Electric	Osram/Sylvania	Philips
F13DBX/SPX*/4P	CF13DD/E/*	PL-C13W/*/4P

(2) 13W Quad Tube 2-pin (GX23-2 base)

General Electric	Osram/Sylvania	Philips
F13DBX23T4/SPX*	CF13DD/*	PLC13W/*/USA

*Manufacturers' color temperature designation.

Electrical

	13W Magnetic (NPF) 120V	13W Electronic 120V	277V
Total Input Watts	36	30	30
Max. Line Current (amps)	.75	.25	.11
Power Factor	N	>.97	>.97
Ballast Factor	1.0	>0.98	>0.98
THD	<15%	<10%	<10%
Min. Starting Temps.	0°C (32°F)	18°C (0°F)	18°C (0°F)

Labels

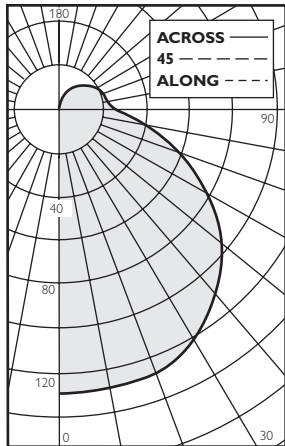
UL listed. Suitable for damp locations, and 90°C supply conductors.

Job Information	Type:
------------------------	--------------

PHILIPS
LIGHTOLIER

Decorative, Lumidisc, Ceiling/Wall Mount, CFL

Lightolier Surface Utility Fluorescent, Lumidisc with twist-lock acrylic diffuser, (2) 13W Quad Tube G.E. Lamps,
Lumen Rating = 900 Lumens, ESI Ballast #ES-2/1-CFQ-13/10-UNVD, 120VAC



Candlepower summary

Angle	Mean CP	LMS	Angle	Mean CP	Lumens
0	131		95	23	25
5	130	12	100	22	
10	130		105	21	22
15	129	36	110	20	
20	127		115	19	19
25	124	57	120	18	
30	120		125	17	15
35	115	72	130	16	
40	109		135	14	11
45	102	79	140	12	
50	95		145	10	6
55	86	77	150	8	
60	77		155	6	3
65	67	67	160	4	
70	57		165	3	1
75	47	50	170	2	
80	37		175	1	0
85	29	33	180	1	
90	24				

Coefficients Of Utilization
% Effective Ceiling Cavity Reflectance - Effective Floor Cavity Reflectance = .20

Room Cavity Ratio	RC	80			70			50			30			10			0		
		RW	50	30	10	50	30	10	50	30	10	50	30	10	50	30	10	0	
1		.32	.31	.29	.31	.29	.28	.28	.27	.26	.26	.25	.24	.24	.23	.23	.22		
2		.28	.25	.23	.27	.25	.23	.25	.23	.21	.23	.21	.20	.21	.20	.19	.18		
3		.24	.22	.19	.23	.21	.19	.22	.19	.18	.20	.18	.17	.18	.17	.16	.15		
4		.21	.19	.16	.21	.18	.16	.19	.17	.15	.18	.16	.14	.16	.15	.14	.13		
5		.19	.16	.14	.18	.16	.14	.17	.15	.13	.16	.14	.12	.15	.13	.12	.11		
6		.17	.14	.12	.16	.14	.12	.15	.13	.11	.14	.12	.11	.13	.11	.10	.09		
7		.15	.12	.10	.15	.12	.10	.14	.11	.10	.13	.11	.09	.12	.10	.09	.08		
8		.14	.11	.09	.13	.11	.09	.12	.10	.08	.11	.09	.08	.11	.09	.08	.07		
9		.12	.10	.08	.12	.09	.08	.11	.09	.07	.10	.08	.07	.10	.08	.07	.06		
10		.11	.09	.07	.11	.08	.07	.10	.08	.06	.10	.08	.06	.09	.07	.06	.05		

Determined in accordance with current IES published procedures.

Certified Test Report
No: 0978FR
Computed by LSI Program
TEST-LITE

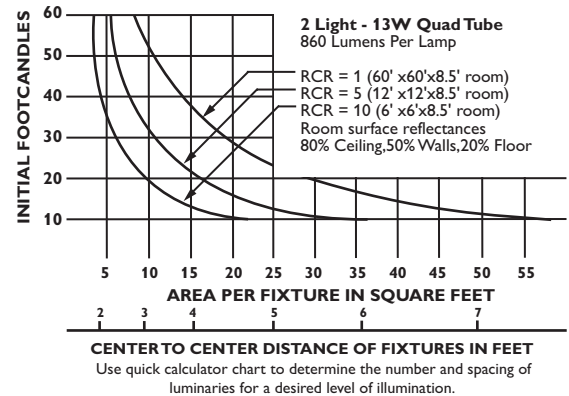
Tested according to IES procedures.
Test distance exceeds five times the
greatest luminous opening of luminaire.

Spacing Ratio = 1.4

Zonal Lumens and Percentages

Zone	Lumens	%Lamp	%Luminaire
0-30	105	5.88	18.07
0-40	177	9.88	30.33
0-60	334	18.56	57.00
0-90	483	26.87	82.52
40-90	305	16.99	52.19
60-90	149	8.31	25.52
90-180	102	5.69	17.48
0-180	586	32.56	100.00

Efficiency = 32.6%



Philips Lightolier
e: lol.webmaster@philips.com
t: (508) 679-8131
w: www.lightolier.com
6750 June 7, 2011

Specifications are subject to change without notice.
© Koninklijke Philips Electronics N.V., 2011. All rights reserved.

Job Information Type: