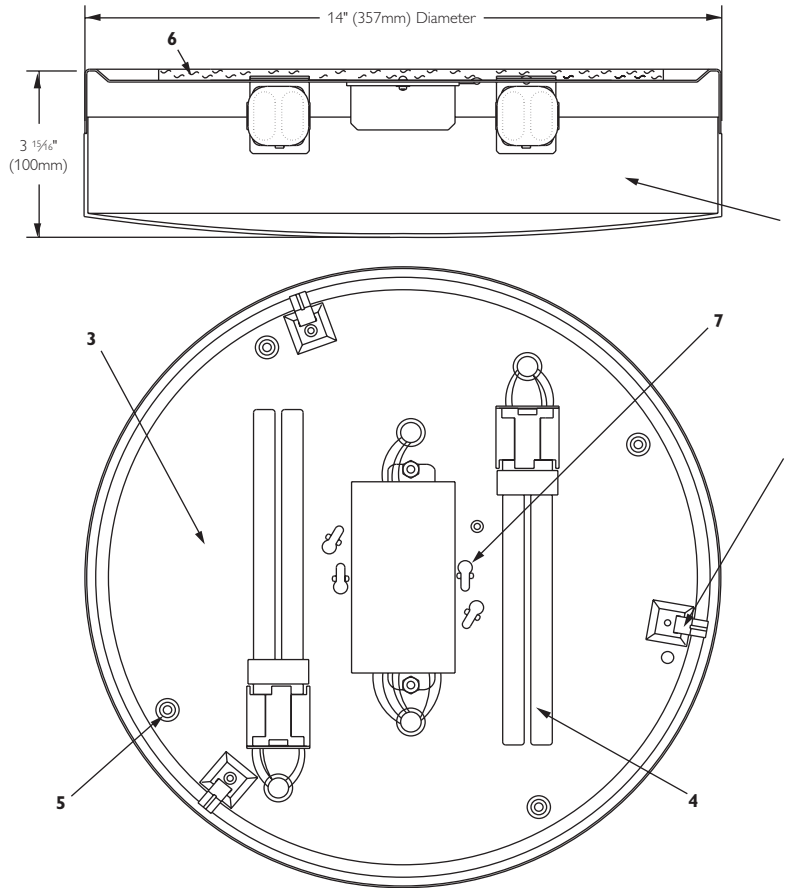


6752WH226U

Decorative, Lumidisc, Ceiling/Wall Mount, CFL

Page 1 of 3



Ordering Information:

Catalog No.	Diameter	Depth	Finish	Lamp
6752WH226U	14"	3 15/16"	gloss white	(2) 26W Quad Tube 4-pin

Job Information Type:

Job Name:

Cat. No.:

Notes:

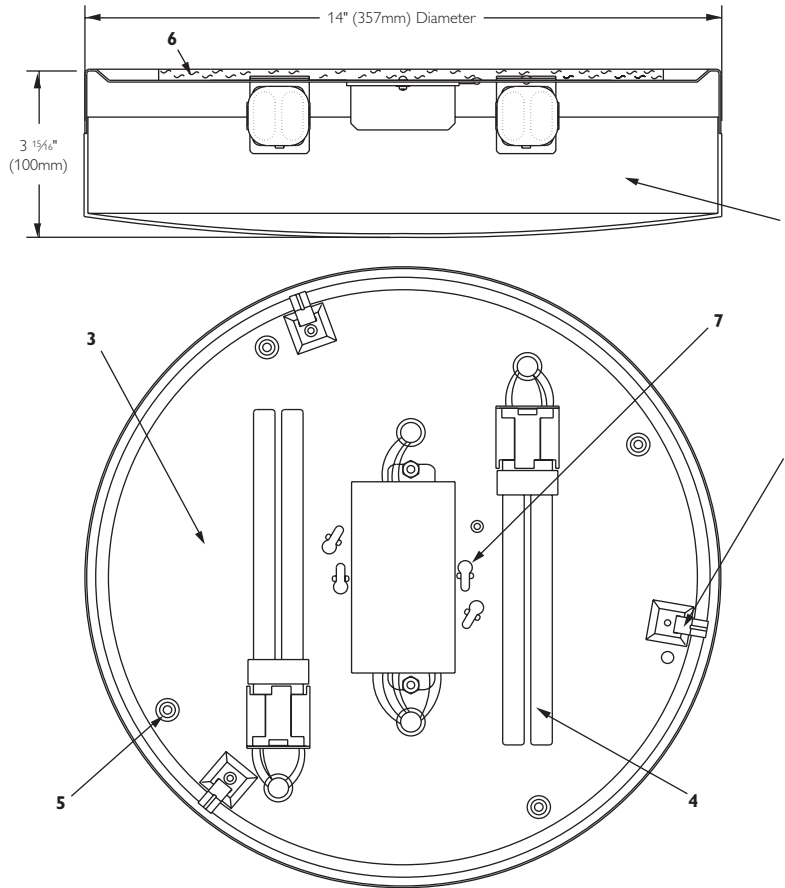
PHILIPS

LIGHTOLIER

6752WH226U

Decorative, Lumidisc, Ceiling/Wall Mount, CFL

Page 2 of 3



Features

1. **Diffuser:** Injection molded white translucent polycarbonate.
2. **Mounting:** Twist-lock fastening system.
3. **Ceiling Pan:** 20 ga. die formed aluminum.
4. **Lamps:** Compact fluorescent (by others).
5. **Auxiliary Mounting Holes:** For direct mounting to ceiling surface.
6. **Insulation:** 1" thick fiberglass.
7. **Keyhole Mounting Slots:** (4) For direct mounting to 3" or 4" octagonal outlet boxes.

Lamps (by others)

Compact Fluorescent: 26W Quad Tube 4-Pin

General Electric	Osram/Sylvania	Philips
F26 DBXT4/SPX*/4P	CF 26DD/E/*	PL-C26W/*/4P

*Manufacturers' color temperature designation.

Electrical

Lampholders: Compact Fluorescent: 4-pin, G24q-3 base

Ballast: Electronic 120/277V

Total Input Watts 53

Max. Line Current (amps) .46/.21

Power Factor >.98

Ballast Factor 1.0

THD <10%

Min. Starting Temps. -20°C (-4°F)

Labels

UL Listed. Suitable for damp locations.

Job Information	Type:
------------------------	--------------

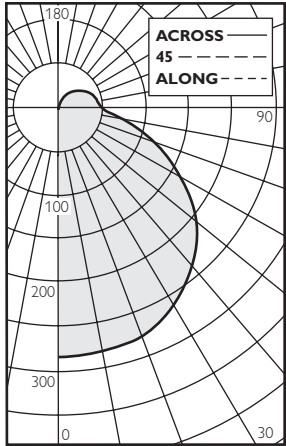
PHILIPS

LIGHTOLIER

6752WH226U

Decorative, Lumidisc, Ceiling/Wall Mount, CFL

Cat. No. 6790BK226U, Lightolier Surface Utility Fluorescent with twist-lock Lexan diffuser, (2) 26W Quad Tube G.E. Lamps, Lumen Rating = 1700 Lumens, Robertson Ballast #PSM226CQMVW, 120VAC



Candlepower summary					
Angle	Mean CP	LMS	Angle	Mean CP	Lumens
0	286		95	46	51
5	286	28	100	45	
10	284		105	44	47
15	281	80	110	44	
20	276		115	42	42
25	269	125	120	41	
30	260		125	39	35
35	249	156	130	37	
40	235		135	34	27
45	221	171	140	31	
50	204		145	29	19
55	185	166	150	26	
60	164		155	23	11
65	143	142	160	20	
70	120		165	17	5
75	97	103	170	13	
80	75		175	11	2
85	58	66	180	10	
90	48				

Coefficients Of Utilization																	
% Effective Ceiling Cavity Reflectance - Effective Floor Cavity Reflectance = .20																	
Room Cavity Ratio	RC	80			70			50			30			10			0
	RW	50	30	10	50	30	10	50	30	10	50	30	10	50	30	10	0
1		.37	.35	.33	.35	.34	.32	.32	.31	.30	.30	.29	.28	.27	.26	.26	.24
2		.32	.29	.27	.30	.28	.26	.28	.26	.24	.26	.24	.23	.24	.23	.21	.20
3		.28	.25	.22	.27	.24	.22	.25	.22	.20	.23	.21	.19	.21	.19	.18	.17
4		.25	.21	.19	.24	.21	.18	.22	.19	.17	.20	.18	.16	.19	.17	.16	.14
5		.22	.19	.16	.21	.18	.16	.19	.17	.15	.18	.16	.14	.17	.15	.13	.12
6		.19	.16	.14	.19	.16	.13	.17	.15	.13	.16	.14	.12	.15	.13	.11	.11
7		.17	.14	.12	.17	.14	.12	.16	.13	.11	.14	.12	.10	.13	.11	.10	.09
8		.16	.13	.10	.15	.12	.10	.14	.11	.10	.13	.11	.09	.12	.10	.09	.08
9		.14	.11	.09	.14	.11	.09	.13	.10	.08	.12	.10	.08	.11	.09	.08	.07
10		.13	.10	.08	.12	.10	.08	.12	.09	.07	.11	.09	.07	.10	.08	.07	.06

Determined in accordance with current IES published procedures.

Certified Test Report
No: 0971FR
Computed by LSI Program
TEST-LITE

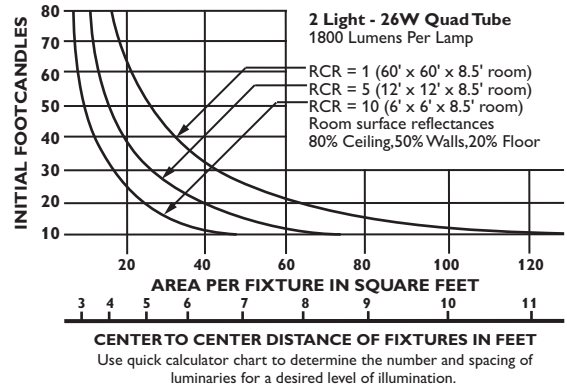
Tested according to IES procedures.
Test distance exceeds five times the
greatest luminous opening of luminaire.

Spacing Ratio = 1.3

Zonal Lumens and Percentages

Zone	Lumens	%Lamp	%Luminaire
0-30	231	6.80	18.23
0-40	386	11.38	30.53
0-60	723	21.27	57.04
0-90	1032	30.37	81.47
40-90	645	18.99	50.94
60-90	309	9.11	24.43
90-180	234	6.91	18.53
0-180	1267	37.29	100.00

Efficiency = 32.6%



Philips Lightolier
e: lol.webmaster@philips.com
t: (508) 679-8131
w: www.lightolier.com
6752WH226U May 26, 2011

Specifications are subject to change without notice.
© Koninklijke Philips Electronics N.V., 2011. All rights reserved.

Job Information Type: