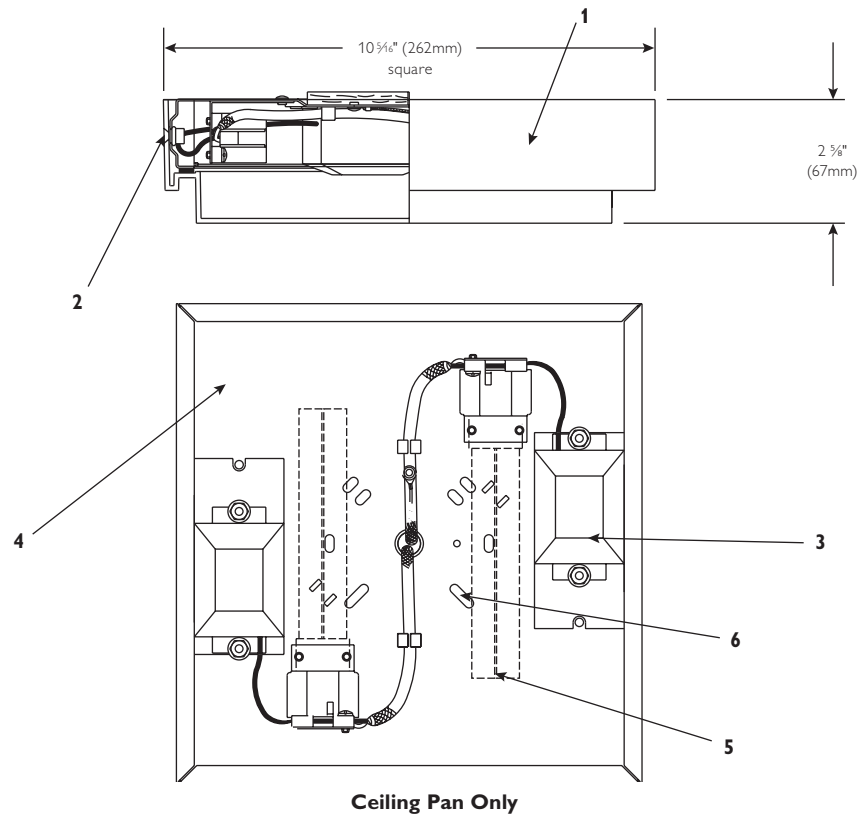


6783WH213N1

Decorative, Lumiquad, Ceiling/Wall Mount CFL

Page 1 of 3



Ordering Information

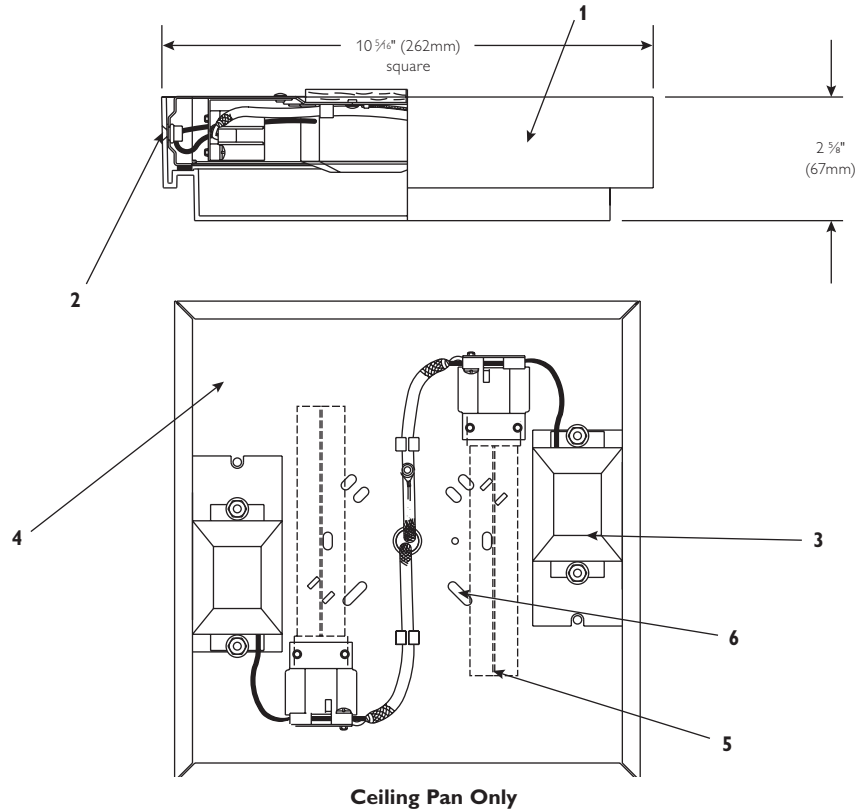
Catalog Number	Finish	Ballast
6783WH213N1	matte white	Magnetic NPF 120V
6783BZ213N1	matte bronze	Magnetic NPF 120V

Job Information	Type:
Job Name:	
Cat. No.:	
Notes:	

PHILIPS
LIGHTOLIER

6783WH213N1

Decorative, Lumiquad, Ceiling/Wall Mount CFL



Features

1. **Diffuser:** Injection molded white translucent polycarbonate.
2. **Screw:** Diffuser removal, tamper proof.
3. **Ballast:** Magnetic NPF 120V.
4. **Ceiling Pan:** 16 ga. die formed aluminum.
5. **Lamps:** Compact fluorescent (by others).
6. **Mounting:** K.O.'s for direct mounting to 3" or 4" octagonal junction boxes.

Lamps (by others)

Compact Fluorescent: (2) 13W Twin Tube 2-Pin

General Electric	Osram/Sylvania	Philips
F13BX/SPX*	CF 13DS/*	PL-S13W/*

*Manufacturers' color temperature designation.
13W lamp rated to start at 32°F.

Electrical

Lampholders: Compact Fluorescent: 2-pin, GX23 base

Ballast: Magnetic 120V

Total Input Watts 28

Max. Line Current (amps) .72

Power Factor Normal

Ballast Factor .8

THD <10%

Min. Starting Temps. 0°C (32°F)

Labels

UL Listed. Suitable for wet locations.

Job Information Type:

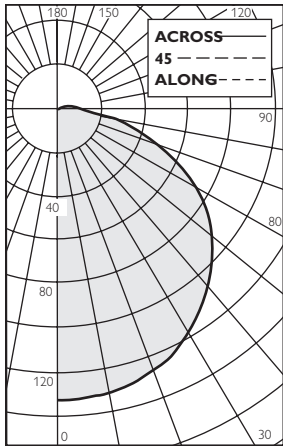
PHILIPS

LIGHTOLIER

6783WH213N1

Decorative, Lumiquad, Ceiling/Wall Mount CFL

Catalog No: 6731BK213N1, Lightolier Surface Utility Fluorescent Lumironde with Lexan diffuser, 2-13W Twin Tube Sylvania Lamps (Dulux S), Lumen Rating = 800 Lumens, 2-Robertson Ballasts #S1P, 120 VAC



Candlepower summary					
Angle	Mean CP	LMS	Angle	Mean CP	Lumens
0	131		95	8	10
5	131	13	100	7	
10	130		105	6	7
15	128	37	110	5	
20	125		115	4	4
25	122	57	120	3	
30	117		125	2	2
35	111	70	130	1	
40	105		135	1	1
45	98	76	140	1	
50	89		145	1	1
55	80	72	150	1	
60	70		155	1	1
65	59	59	160	1	
70	48		165	1	1
75	36	39	170	1	
80	25		175	1	1
85	16	19	180	1	
90	11				

Coefficients Of Utilization																					
% Effective Ceiling Cavity Reflectance - Effective Floor Cavity Reflectance = .20																					
		80			70			50			30			10			0				
		RW	50	30	10	RW	50	30	10	RW	50	30	10	RW	50	30	10	RW	50	30	10
Room Cavity Ratio	1	.29	.28	.27	.29	.28	.26	.27	.26	.25	.26	.25	.24	.25	.24	.23	.23	.23	.23	.23	.23
	2	.26	.24	.22	.25	.23	.22	.24	.22	.21	.23	.21	.20	.22	.21	.20	.21	.20	.19	.19	.19
	3	.23	.20	.18	.22	.20	.18	.21	.19	.18	.20	.18	.17	.19	.18	.17	.18	.17	.16	.16	.16
	4	.20	.18	.16	.20	.17	.15	.19	.17	.15	.18	.16	.15	.17	.16	.14	.14	.14	.14	.14	.14
	5	.18	.15	.13	.17	.15	.13	.17	.15	.13	.16	.14	.13	.15	.14	.12	.12	.12	.12	.12	.12
	6	.16	.13	.12	.16	.13	.11	.15	.13	.11	.14	.12	.11	.14	.12	.11	.11	.11	.10	.10	.10
	7	.14	.12	.10	.14	.12	.10	.13	.11	.10	.13	.11	.09	.12	.11	.09	.09	.09	.09	.09	.09
	8	.13	.10	.09	.13	.10	.09	.12	.10	.08	.12	.10	.08	.11	.09	.08	.08	.08	.08	.08	.08
	9	.12	.09	.08	.11	.09	.08	.11	.09	.07	.11	.09	.07	.10	.08	.07	.07	.07	.07	.07	.07
	10	.11	.08	.07	.10	.08	.07	.10	.08	.07	.10	.08	.06	.09	.08	.06	.06	.06	.06	.06	.06

Determined in accordance with current IES published procedures.

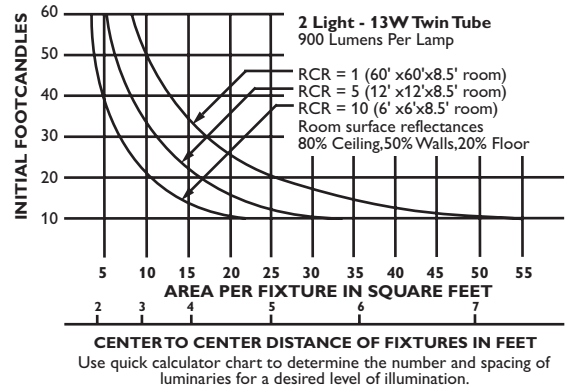
Certified Test Report
No: 0980FR
Computed by LSI Program
TEST-LITE

Tested according to IES procedures.
Test distance exceeds five times the greatest luminous opening of luminaire.

Spacing Ratio = 1.3

Zonal Lumens and Percentages			
Zone	Lumens	%Lamp	%Luminaire
0-30	104	6.55	22.84
0-40	174	10.91	38.06
0-60	321	20.10	70.10
0-90	436	27.29	95.16
40-90	262	16.38	57.10
60-90	115	7.19	25.06
90-180	22	1.39	4.84
0-180	458	28.68	100.00

Efficiency = 28.7%



Philips Lightolier
e: lol.webmaster@philips.com
t: (508) 679-8131
w: www.lightolier.com

6783WH213N1 February 27, 2012

Specifications are subject to change without notice.
© Koninklijke Philips Electronics N.V., 2012. All rights reserved.

Job Information Type: