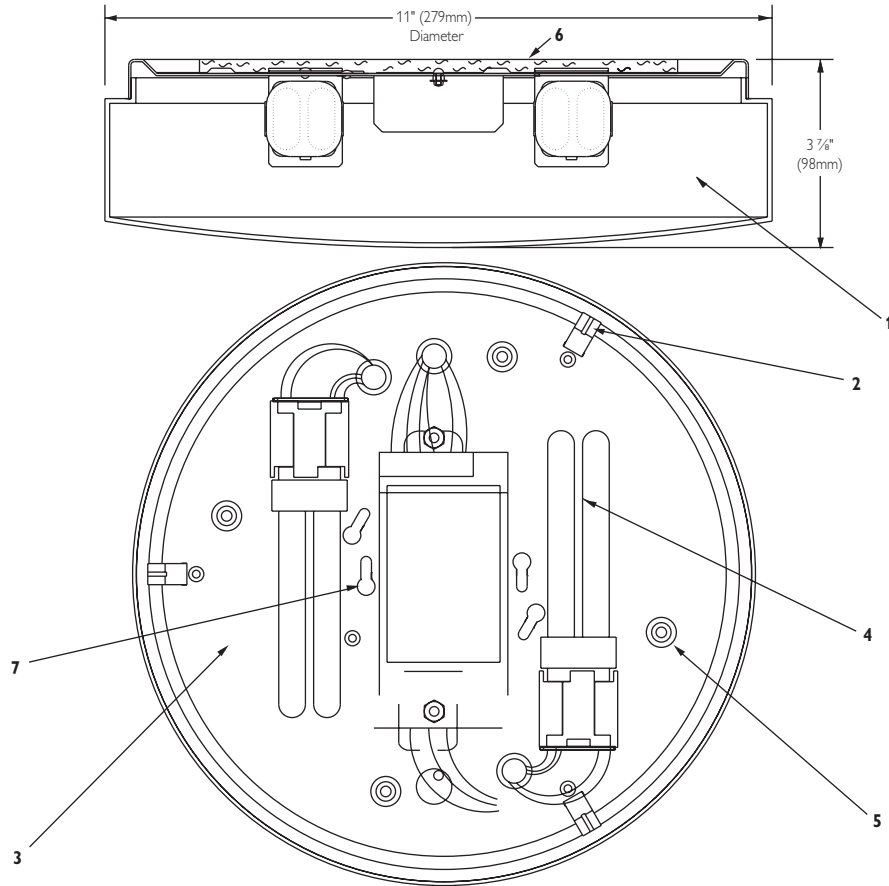


6789BK213U

Decorative, Opalite, Ceiling/Wall Mount CFL

Page 1 of 3



Ordering Information:

Catalog No.	Finish	Lamps	Diameter	Depth	Ballast	Voltage
6789BK213U	gloss black	(2) 13W Quad Tube 4-pin	11"	3 7/8"	Univ. Electronic	120V/277V
6789BK213N1	gloss black	(2) 13W Quad Tube 2-pin			NPF Magnetic	120V

Job Information Type:

Job Name:

Cat. No.:

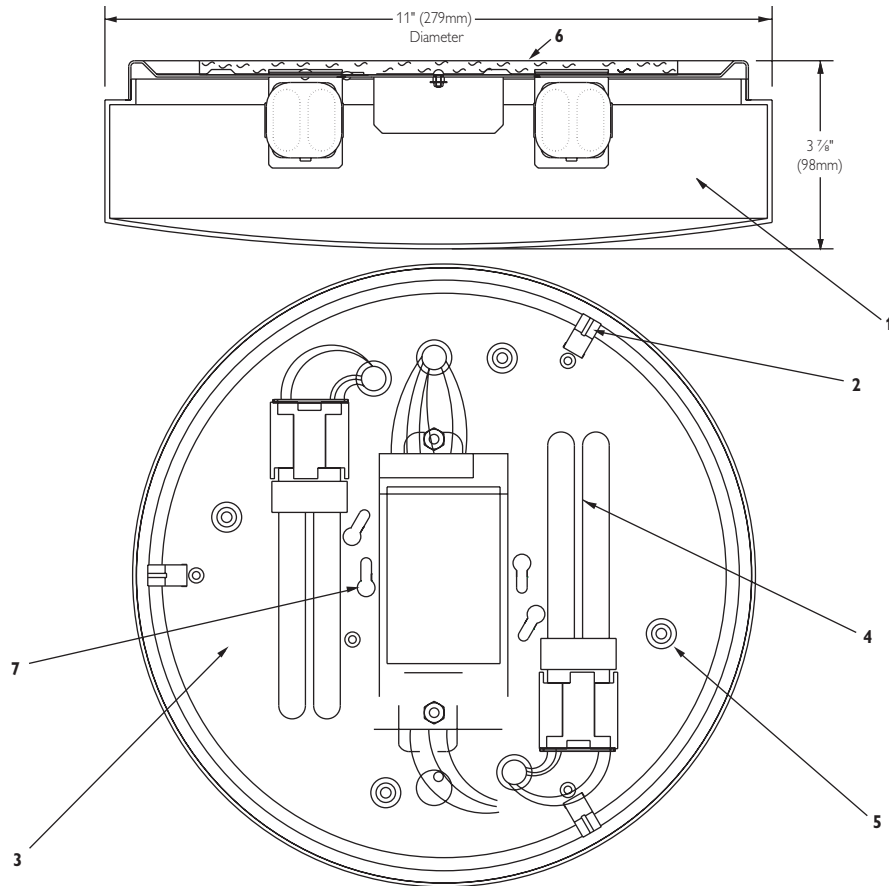
Notes:

PHILIPS
LIGHTOLIER

6789BK213U

Decorative, Opalite, Ceiling/Wall Mount CFL

Page 2 of 3



Features

1. **Diffuser:** Injection molded white translucent polycarbonate diffuser.
2. **Mounting:** Twist-lock fastening system.
3. **Ceiling Pan:** 20 ga. die formed steel.
4. **Lamps:** Compact Fluorescent (by others)
5. **Auxiliary Mounting Holes:** For direct mounting to ceiling surface.
6. **Insulation Pad:** 1" thick fiberglass
7. **Keyhole Mounting Slots:** (4) For direct mounting to 3" or 4" octagonal outlet boxes.

Lamping

Compact Fluorescent: 13W Quad Tube

General Electric	Osram/Sylvania	Philips
4-pin F13 DBX/SPX*/4P	CF 13DD/E/*	PL-C13W*/4P
2-pin F13 DBX23 T4/SPX*	CF 13DD/*	PL-C13W*/USA

*Manufacturers' color temperature designation.

Electrical

Lampholders:	CFL	4-pin, G24q-1 base, 2-pin, GX23-2 base
Ballasts:	Electronic 120/277V	Magnetic 120V
Total Input Watts	30	36
Max. Line Current (amps)	.25 / 0.11	.75
Power Factor	>.97	N
Ballast Factor	>.98	1.0
THD	<10%	<15%
Min. Starting Temps.	-18°C (0°F)	0°C (32°F)

Labels

UL listed. Suitable for damp locations.

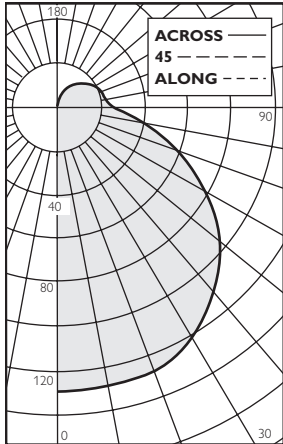
Job Information	Type:
-----------------	-------

PHILIPS
LIGHTOLIER

6789BK213U

Decorative, Opalite, Ceiling/Wall Mount CFL

Lightolier Surface Utility Fluorescent, Lumidisc with twist-lock acrylic diffuser, (2) 13W Quad Tube G.E. Lamps,
Lumen Rating = 900 Lumens, ESI Ballast #ES-2/1-CFQ-13/10-UNVD, 120 VAC



Candlepower summary					
Angle	Mean CP	LMS	Angle	Mean CP	Lumens
0	131		95	23	25
5	130	12	100	22	
10	130		105	21	22
15	129	36	110	20	
20	127		115	19	19
25	124	57	120	18	
30	120		125	17	15
35	115	72	130	16	
40	109		135	14	11
45	102	79	140	12	
50	95		145	10	6
55	86	77	150	8	
60	77		155	6	3
65	67	67	160	4	
70	57		165	3	1
75	47	50	170	2	
80	37		175	1	0
85	29	33	180	1	
90	24				

Coefficients Of Utilization																			
% Effective Ceiling Cavity Reflectance - Effective Floor Cavity Reflectance = .20																			
Room Cavity Ratio	RC	80			70			50			30			10			0		
		RW	50	30	10	50	30	10	50	30	10	50	30	10	50	30	10	0	
1		.32	.31	.29	.31	.29	.28	.28	.27	.26	.26	.25	.24	.24	.23	.23	.22		
2		.28	.25	.23	.27	.25	.23	.25	.23	.21	.23	.21	.20	.21	.20	.19	.18		
3		.24	.22	.19	.23	.21	.19	.22	.19	.18	.20	.18	.17	.18	.17	.16	.15		
4		.21	.19	.16	.21	.18	.16	.19	.17	.15	.18	.16	.14	.16	.15	.14	.13		
5		.19	.16	.14	.18	.16	.14	.17	.15	.13	.16	.14	.12	.15	.13	.12	.11		
6		.17	.14	.12	.16	.14	.12	.15	.13	.11	.14	.12	.11	.13	.11	.10	.09		
7		.15	.12	.10	.15	.12	.10	.14	.11	.10	.13	.11	.09	.12	.10	.09	.08		
8		.14	.11	.09	.13	.11	.09	.12	.10	.08	.11	.09	.08	.11	.09	.08	.07		
9		.12	.10	.08	.12	.09	.08	.11	.09	.07	.10	.08	.07	.10	.08	.07	.06		
10		.11	.09	.07	.11	.08	.07	.10	.08	.06	.10	.08	.06	.09	.07	.06	.05		

Determined in accordance with current IES published procedures.

Certified Test Report
No: 0978FR
Computed by LSI Program
TEST-LITE

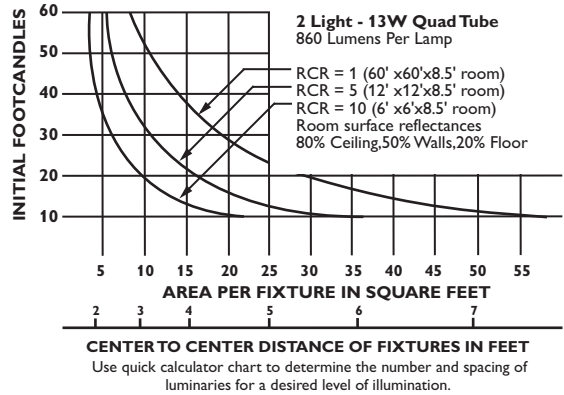
Tested according to IES procedures.
Test distance exceeds five times the
greatest luminous opening of luminaire.

Spacing Ratio = 1.4

Zonal Lumens and Percentages

Zone	Lumens	%Lamp	%Luminaire
0-30	105	5.88	18.07
0-40	177	9.88	30.33
0-60	334	18.56	57.00
0-90	483	26.87	82.52
40-90	305	16.99	52.19
60-90	149	8.31	25.52
90-180	102	5.69	17.48
0-180	586	32.56	100.00

Efficiency = 32.6%



Philips Lightolier
e: lol.webmaster@philips.com
t: (508) 679-8131
w: www.lightolier.com
6789BK213U May 25, 2011

Specifications are subject to change without notice.
© Koninklijke Philips Electronics N.V., 2011. All rights reserved.

Job Information Type: