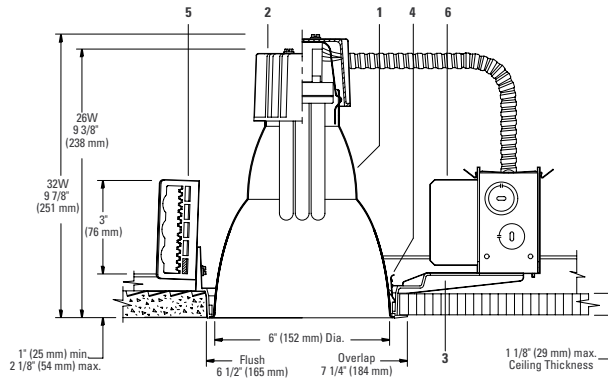
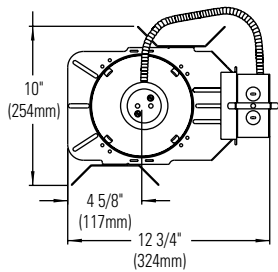


Project: \_\_\_\_\_  
 Location: \_\_\_\_\_  
 Cat.No: \_\_\_\_\_  
 Type: \_\_\_\_\_  
 Lamps: \_\_\_\_\_ Qty: \_\_\_\_\_  
 Notes: \_\_\_\_\_



**Ceiling Cutout: 6 9/16" (167 mm) Dia.**

Reflector Trim	Frame-In Kit
<b>8021 CCLW</b> Comfort Clear™, White Flange	<b>S6132BU</b> 6" aperture, 1 lamp 26/32W Triple Tube CFL (120/277V) 4-Pin (Amalgam)
<b>8021 CCLP</b> Comfort Clear™, Polished Flange	Standard Dimming Options:
<b>8021 CCL</b> Comfort Clear™, Molded Trim Ring	<b>S6132B</b> <input type="checkbox"/>
<b>8021</b> <input type="checkbox"/> Add suffix. See options for other finishes.	<b>CU3</b> Lightolier PowerSpec 3% Dimming (120/277V)
	<b>J1LD3</b> Lutron 5% Dimming (120V)
	<b>J2LD3</b> Lutron 5% Dimming (277V)
	<b>JUM7</b> Mark 7 Dimming (120/277V)
	<b>J1MX</b> Mark 10 Dimming (120V)
	<b>J2MX</b> Mark 10 Dimming (277V)
	Other dimming product available, please consult factory
Remodeler Frame-In Kits	
<b>6126BURM</b> 6" aperture, 1 lamp 26W Triple Tube CFL (120/277V) 4-Pin (Amalgam)	
<b>6132BURM</b> 6" aperture, 1 lamp 26/32W Triple Tube CFL (120/277V) 4-Pin (Amalgam)	

### Features

- Reflector:** 16 ga. Alzak® aluminum, 50° visual cutoff to lamp and lamp image, medium distribution. Comfort Clear™ low iridescence finish. Self-flanged or flangeless with molded white trim ring (field paintable).
- Socket Cup:** Effectively dissipates heat and positions lamp holder. Snaps onto reflector neck to assure consistently correct optical alignment without tools.
- Mounting Frame:** Galvanized steel for dry or plaster ceilings. Accepts other 6" Triple Tube reflectors (see S6132BU Spec Sheet).
- Retaining Springs:** Precision-tooled steel friction springs secure reflector to mounting frame for quick, tool-less installation.
- Mounting Brackets:** 16 ga. steel. Adjust from inside of fixture. Use 3/4" or 1 1/2" lathing channel, 1/2" EMT, or optional mounting bars.
- Ballast/J-Box:** Electronic 120V-277V. UL listed for through branch circuit wiring with max of (8) No. 12 AWG, 90°c supply conductors. Outboard mounted to reduce heat transfer and maintain lamp efficacy and life. Service from below without tools.

### Electrical

**Note:** For ballast electrical data and latest lamp/ballast compatibility refer to "Ballast" specification sheet for complete electrical data.  
 UL Listed for through branch circuit wiring with max of (8) No 12 AWG, 90 degree C supply conductors.

### Options and Accessories

#### Comfort Clear™ Finishes<sup>1</sup>

Diffuse **CCD**  
 Champagne Bronze **CCZ**  
 Multigroove **MG**

#### Other Finishes

White **WH**  
 Specular Clear **CL**

<sup>1</sup>Specify desired flange. **W** White, **P** Polished, Blank - Molded Ring

# 8021 Calculite CFL 6"

## Triple Tube Vertical

### Options and Accessories (continued)

Emergency Ltg. Kit	<b>FA EM3E*</b>
	<b>FA EM4*</b>
Fuse (Slow Blow)	Add suffix <b>F</b>
Existing/Thk. Ceiling	<b>FA EC6*</b>
Emergency	Add suffix <b>EM*</b>
Chicago Plenum	Use S6132BULC

\*See Spec. Sheets: FAEM, FAEC

Mounting Bars & Accessories; see Specification Sheet MBA.  
Sloped Ceiling Adapters; see Specification Sheet SCA.

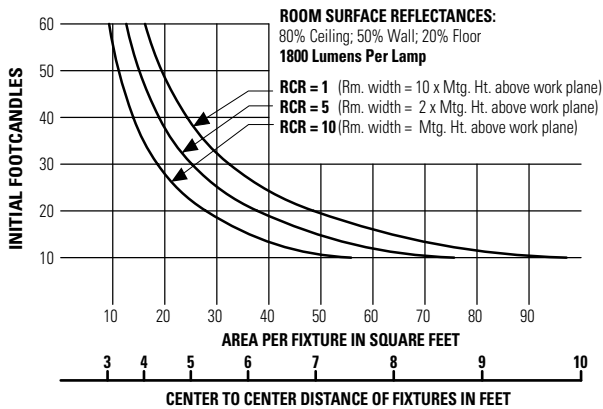
IC Frame available; see **C6CFL32** Specification Sheet.

### Labels

UL Listed for damp locations.

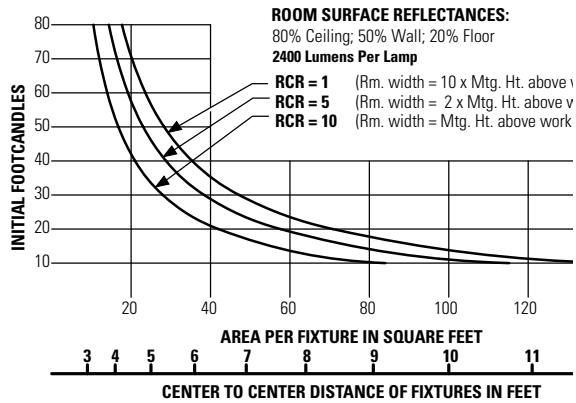
Alzak® is a registered trademark of ALCOA.

### 26W Quick Calculator



This quick calculator chart determines the number and spacing of 1 lt.- 26W TTT units with Comfort Clear™ reflector, for any level of illumination.

### 32W Quick Calculator



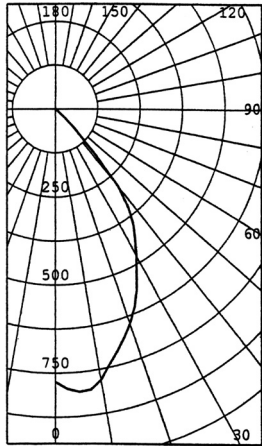
This quick calculator chart determines the number and spacing of 1 lt.- 32W TTT units with Comfort Clear™ reflector, for any level of illumination.

# 8021 Calculite CFL 6"

## Triple Tube Vertical

### Spacing Ratio = 1.0

REPORT NO: LSI 14025  
 LIGHTOLIER RECESSED FLUORESCENT LUMINAIRE,  
 WITH COMFORT CLEAR™ REFLECTOR  
 ONE 26 WATT CPFL GE LAMP,  
 CAT# F26TBX/SPX35-835.  
 LUMEN RATING = 1800 LMS.



\*\*EFFICIENCY=48.1%\*\*

DATE: 4-23-99  
 CIE TYPE DIRECT  
 LUMINOUS DIAMETER: 6.000  
 THIS REPORT BASED ON LM-1 AND  
 OTHER PERTINENT IES PROCEDURES.

ZONAL SUMMARY		
ANGLE	CP	LUMENS
0		775
5		806
10		780
15		708
20		646
25		566
30		478
35		402
40		285
45		78
50		13
55		4
60		2
65		1
70		1
75		1
80		0
85		0

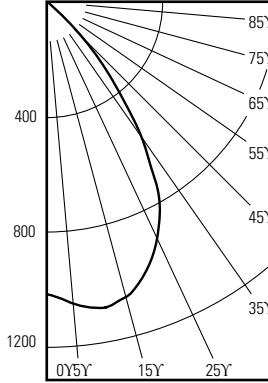
ZONAL LUMENS AND PERCENTAGES			
ZONE	LUMENS	% LAMP	% LUMINAIRE
0-30	533	29.66	61.66
0-40	778	43.25	89.92
0-60	863	47.98	99.75
0-90	865	48.10	100.00
40-90	87	4.85	10.08
60-90	2	.12	.25
90-180	0	.00	.00
0-180	865	48.10	100.00

### Coefficients of Utilization

ROOM CAVITY RATIO	EFFECTIVE FLOOR CAVITY REFLECTANCE = .20																								
	80					70					50					30					10				
	50	30	10	50	30	10	50	30	10	50	30	10	50	30	10	50	30	10	50	30	10	0			
1	.54	.53	.52	.53	.52	.51	.51	.50	.49	.49	.48	.48	.47	.47	.46	.46	.46	.46	.46	.46	.46	.46			
2	.50	.49	.47	.50	.48	.47	.48	.47	.46	.47	.46	.45	.45	.44	.43	.43	.43	.43	.43	.43	.43	.43			
3	.47	.45	.44	.47	.45	.43	.46	.44	.43	.44	.43	.42	.43	.42	.41	.41	.41	.41	.41	.41	.41	.41			
4	.45	.42	.40	.44	.42	.40	.43	.41	.40	.42	.41	.39	.41	.40	.39	.38	.38	.38	.38	.38	.38	.38			
5	.42	.39	.37	.42	.39	.37	.41	.39	.37	.40	.38	.37	.39	.38	.36	.36	.36	.36	.36	.36	.36	.36			
6	.40	.37	.35	.39	.37	.35	.39	.36	.35	.38	.36	.34	.37	.36	.34	.34	.34	.34	.34	.34	.34	.34			
7	.37	.34	.33	.37	.34	.32	.36	.34	.32	.36	.34	.32	.35	.33	.32	.31	.31	.31	.31	.31	.31	.31			
8	.35	.32	.30	.34	.32	.30	.34	.32	.30	.34	.31	.30	.33	.31	.30	.29	.29	.29	.29	.29	.29	.29			
9	.33	.30	.28	.32	.30	.28	.32	.30	.28	.32	.29	.28	.31	.29	.28	.27	.27	.27	.27	.27	.27	.27			
10	.31	.28	.26	.30	.28	.26	.30	.28	.26	.30	.27	.26	.29	.27	.26	.25	.25	.25	.25	.25	.25	.25			

### Spacing Ratio = 1.1

REPORT PREPARED FOR: LIGHTOLIER 04-27-1999  
 REPORT NO: LRL 499-9G  
 LAMPS: 1 PLT-32 LUMENS: 2400  
 DESCRIP: 6" DIA X 10" HT RECESSED DOWNLIGHT  
 WITH COMFORT CLEAR™ REFLECTOR, VERTICAL  
 LAMP.



\*\*EFFICIENCY=52.7%\*\*  
 DATE: 4-27-99  
 CIE TYPE DIRECT  
 LUMINOUS DIAMETER: 6.000  
 THIS REPORT BASED ON LM-1 AND  
 OTHER PERTINENT IES PROCEDURES.

ZONAL SUMMARY		
ZONE	AVG	ZONAL
DEG.	C.P.	LUMENS
180		0
175		0
165		0
155		0
145		0
135		0
125		0
115		0
105		0
95		0
90		0
85		1
75		1
65		3
55		9
45		99
35		563
25		904
15		1063
5		1066
0		1035

ZONAL LUMENS AND PERCENTAGES			
ZONE	LUMENS	% LAMP	% LUMINAIRE
0-30	821	34.2	64.9
0-40	1175	49.0	92.9
0-60	1260	52.5	99.6
0-90	1265	52.7	100.0
40-90	90	3.8	7.1
60-90	5	0.2	0.4
90-120	0	0.0	0.0
90-150	0	0.0	0.0
90-180	0	0.0	0.0
0-180	1265	52.7	100.0

### Coefficients of Utilization

ROOM CAVITY RATIO	EFFECTIVE FLOOR CAVITY REFLECTANCE = .20																								
	80					70					50					30					10				
	50	30	10	50	30	10	50	30	10	50	30	10	50	30	10	50	30	10	50	30	10	0			
1	.59	.58	.57	.58	.57	.56	.56	.55	.54	.54	.53	.53	.52	.52	.51	.51	.51	.51	.51	.51	.51	.51			
2	.56	.54	.53	.55	.54	.52	.54	.52	.51	.52	.51	.50	.51	.50	.49	.49	.48	.47	.46	.45	.44	.44			
3	.53	.51	.50	.53	.51	.49	.51	.50	.49	.50	.49	.48	.49	.48	.47	.46	.45	.44	.43	.42	.41	.41			
4	.51	.48	.47	.50	.48	.46	.49	.47	.46	.48	.46	.45	.47	.46	.45	.44	.43	.42	.41	.40	.39	.39			
5	.48	.46	.44	.48	.45	.44	.47	.45	.43	.46	.44	.43	.45	.44	.43	.42	.41	.40	.39	.38	.37	.37			
6	.46	.43	.42	.46	.43	.41	.45	.43	.41	.44	.42	.41	.44	.42	.41	.40	.39	.38	.37	.36	.35	.35			
7	.44	.41	.39	.43	.41	.39	.43	.41	.39	.42	.40	.39	.42	.40	.39	.38	.37	.36	.35	.34	.33	.33			
8	.41	.39	.37	.41	.39	.37	.41	.38	.37	.40	.38	.37	.40	.38	.37	.36	.35	.34	.33	.32	.31	.31			
9	.39	.36	.35	.39	.36	.35	.38	.36	.35	.38	.36	.34	.38	.36	.34	.33	.32	.31	.30	.29	.28	.28			
10	.35	.32	.31	.35	.32	.31	.35	.32	.30	.34	.32	.30	.34	.32	.30	.29	.28	.27	.26	.25	.24	.24			

