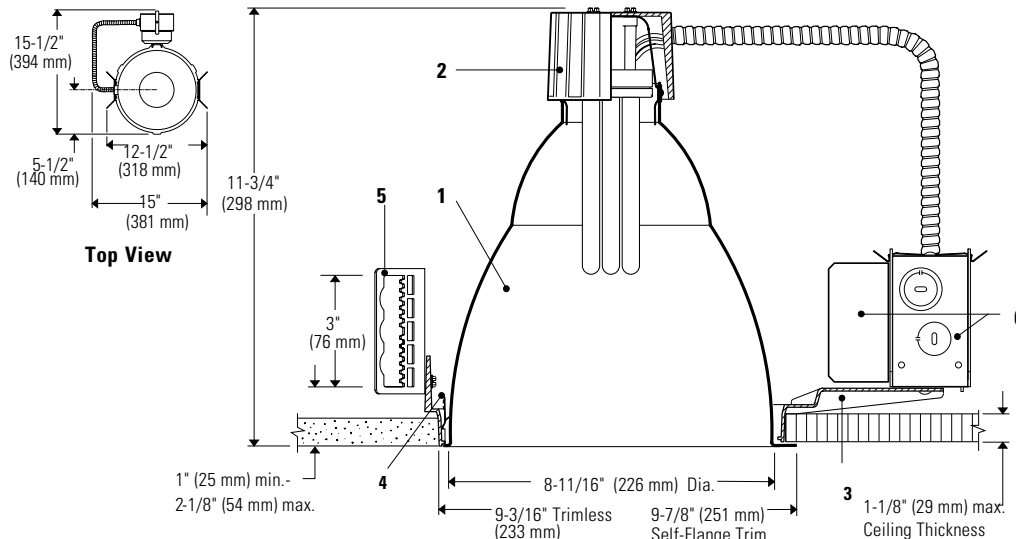


Calculite CFL 8 3/4", Open Downlight, Triple Tube Vertical Lamp

Project:	Catalog No:	Mfg:
Location:	Fixture Type:	Qty:
Notes:		Lamps:



Features

- Reflector:** 16 ga. aluminum, 50° visual cutoff to lamp and lamp image, medium distribution. Comfort Clear™ low iridescence finish. Self-flanged or flangeless with molded white trim ring (field paintable).
- Socket Cup:** Galvanized steel, pre-wired with socket. Snaps onto reflector for secure attachment without tools; assures proper lamp alignment to optics for consistent performance.
- Retaining Springs:** Precision-tooled steel friction springs secure reflector to mounting frame for quick, tool-less installation.
- Mounting Brackets:** Galvanized steel. Adjustable through aperture. Use 3/4" or 1 1/2" lathing channel, 1/2" EMT or optional mounting bars. See Options and Accessories for optional mounting bars.
- Ballast/J-Box:** Outboard mounted to reduce heat transfer and maintain lamp efficacy and life. Service from below without tools.

Options and Accessories

Emergency Chicago Plenum Existing/Thk. Ceiling Emergency Lighting Kit	Add suffix EM* S8142VULC FA EC6* FA EM3E*	
18" Mounting Bars (set of 2)		1950
27" Mounting Bars (set of 2)		1951
T-bar anchor clips (set of 4)		1956
for use with 18" or 27" Mounting bars		
Adjustable Residential Mounting bars		7994

* See Spec. Sheets: **FAEC, FAEM**
Sloped Ceiling Adapters; see Specification Sheet **SCA**.

Ordering guide

Frame-In Kit	Lamp	Orientation	Dimming Options (Voltage)¹
S8	142	V	
S8 Steel Frame for 8" Aperture	142 1 lamp 26/32/42W Triple Tube CFL	V Vertical	U Universal (120V/277V) JUM7 Mark 7 Dimming (120/277V) J1MX Mark 10 Dimming (120V) J2MX Mark 10 Dimming (277V)

Remodeler	Orientation	Input Voltage	Type
8142	V	U	RM
8142 8" aperture, 1 lamp 26/32/42W Triple Tube CFL	V Vertical	U Universal (120V/277V)	RM Remodeler

Reflector	Finish	Flange
8023		
8023 8" aperture Calculite CFL open downlight	CL Specular Clear CCL Comfort Clear CCD Comfort Clear Diffuse CCZ Champagne Bronze	W White (painted) P Polished (matches aperture)
	WH White (painted)	W White (painted)

1. For other dimming products available, please consult factory.

Electrical

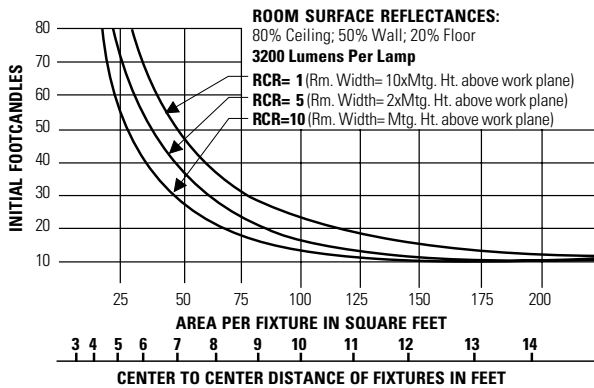
For ballast electrical data and latest lamp/ballast compatibility refer to "Ballast" specification sheet for complete electrical data. UL Listed for through branch circuit wiring with max of (8) No 12 AWG, 90°C supply conductors.

Labels

UL listed for damp locations.

Calculite CFL 8 3/4", Open Downlight, Triple Tube Vertical Lamp

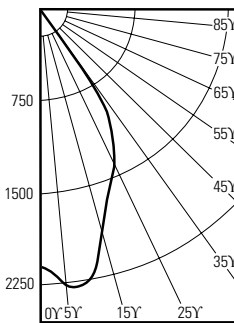
Quick Calculator



This quick calculator chart determines the number and spacing of 1 lt. 42W PL-T units with clear reflector, for any level of illumination.

Spacing Ratio = 0.9

CERTIFIED TEST REPORT NO. 0701FR
COMPUTED BY LSI PROGRAM **TEST LITE**
CALCULITE 8 3/4" DIA. APERTURE RECESSED
COMPACT FLUORESCENT OPEN DOWNLIGHT.
COMFORT CLEAR™ REFLECTOR 1-42W PLT TRIPLE
TUBE LAMP. LUMEN RATING = 3200 LMS.



****EFFICIENCY=63.1%****

DATE: MAR. 31, 99

TESTED ACCORDING TO IES PROCEDURES.
TEST DISTANCE EXCEEDS FIVE TIMES THE
GREATEST LUMINOUS OPENING OF
LUMINAIRE.

CANDLEPOWER SUMMARY

ANGLE	MEAN CP	LUMENS
0	1982	
5	2098	196
10	2051	
15	1817	510
20	1507	
25	1323	610
30	1124	
35	830	511
40	470	
45	211	180
50	36	
55	6	11
60	3	
65	1	1
70	0	
75	0	0
80	0	
85	0	0
90	0	

ZONAL LUMENS AND PERCENTAGES

ZONE	LUMENS	%LAMP	%LUMINAIRE
0-30	1316	41.14	65.17
0-40	1827	57.11	90.47
0-60	2018	63.08	99.93
0-90	2019	63.12	100.00
40-90	192	6.02	9.53
60-90	1	.04	.07
90-180	0	.00	.00
0-180	2019	63.12	100.00

Coefficients Of Utilization

EFFECTIVE FLOOR CAVITY REFLECTANCE = .20

ROOM CAVITY RATIO	WALL REFLECTANCE															
	80			70			50			30			10			0
	50	30	10	50	30	10	50	30	10	50	30	10	50	30	10	
1	.71	.69	.68	.69	.68	.67	.67	.66	.65	.64	.64	.63	.62	.62	.61	.60
2	.67	.64	.62	.65	.63	.62	.63	.62	.60	.62	.63	.59	.60	.59	.58	.57
3	.63	.60	.58	.62	.59	.57	.60	.58	.56	.59	.57	.56	.57	.56	.55	.54
4	.59	.56	.54	.59	.56	.54	.57	.55	.53	.56	.54	.52	.55	.53	.52	.51
5	.56	.53	.50	.55	.52	.50	.54	.52	.50	.53	.51	.49	.52	.50	.49	.48
6	.46	.43	.42	.52	.49	.47	.51	.49	.47	.51	.48	.46	.50	.48	.46	.45
7	.44	.41	.39	.49	.46	.44	.49	.46	.44	.48	.45	.43	.47	.45	.43	.42
8	.41	.39	.37	.46	.43	.41	.46	.43	.41	.45	.43	.41	.45	.42	.40	.40
9	.39	.36	.35	.44	.41	.38	.43	.40	.38	.43	.40	.38	.42	.40	.38	.37
10	.35	.32	.31	.41	.38	.36	.41	.38	.36	.40	.37	.35	.40	.37	.35	.35



©2015 Koninklijke Philips N.V. All rights reserved.
Philips reserves the right to make changes in specifications and/or to discontinue any product at any time without notice or obligation and will not be liable for any consequences resulting from the use of this publication.

Philips Lighting,
North America Corporation
200 Franklin Square Drive,
Somerset, NJ 08873
Tel. 855-486-2216

Imported by: Philips Lighting,
A division of Philips Electronics Ltd.
281 Hillmount Rd, Markham, ON,
Canada L6C 2S3
Tel. 800-668-9008