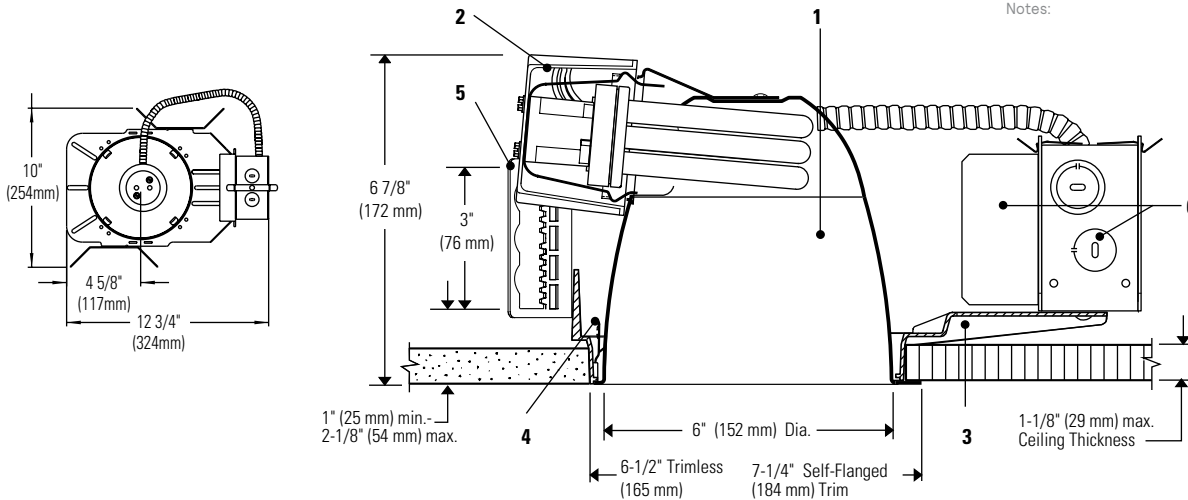


Project: \_\_\_\_\_  
 Location: \_\_\_\_\_  
 Cat.No: \_\_\_\_\_  
 Type: \_\_\_\_\_  
 Lamps: \_\_\_\_\_ Qty: \_\_\_\_\_  
 Notes: \_\_\_\_\_



Reflector Trim	Frame-In Kit
<b>8031 CLW</b> Clear Iridescence Free, White Flange <b>8031 CLP</b> Clear Iridescence Free, Polished Flange <b>8031 CL</b> Clear Iridescence Free, Molded Trim Ring <b>8031</b> <input type="checkbox"/> Add suffix. See options for other finishes.	<b>S6132BU</b> 6" aperture, 1 lamp 26/32W Triple Tube CFL (120/277V) 4-Pin (Amalgam) <b>Dimming Options:</b> <b>S6132B</b> <input type="checkbox"/> <b>CU3</b> Lightolier PowerSpec 3% Dimming (120/277V) <b>J1LD3</b> Lutron 5% Dimming (120V) <b>J2LD3</b> Lutron 5% Dimming (277V) <b>JUM7</b> Mark 7 Dimming (120/277V) <b>J1MX</b> Mark 10 Dimming (120V) <b>J2MX</b> Mark 10 Dimming (277V) Other dimming product available, please consult factory
Remodeler Frame-In Kits	
<b>6126BURM</b> 6" aperture, 1 lamp 26W Triple Tube CFL (120/277V) 4-Pin (Amalgam) <b>6132BURM</b> 6" aperture, 1 lamp 26/32W Triple Tube CFL (120/277V) 4-Pin (Amalgam)	

### Features

- 1. Reflector:** 16 ga. Specular Alzak® aluminium, 55° visual cutoff to lamp and lamp image, medium distribution. Iridescence Free finish. Self-flanged or molded white trim ring (field paintable).
- 2. Socket Cup:** Effectively dissipates heat and positions lamp holder. Snaps onto reflector neck to assure consistently correct optical alignment without tools.
- 3. Mounting Frame:** Galvanized steel for dry or plaster ceilings. Accepts other 6" Triple Tube reflectors (see S6132BU Spec Sheet).
- 4. Retaining Springs:** Precision-tooled steel friction springs secure reflector to mounting frame for quick, tool-less installation.
- 5. Mounting Brackets:** 16 ga. steel. Adjust from inside of fixture. Use 3/4" or 1 1/2" lathing channel, 1/2" EMT, or optional mounting bars.
- 6. Ballast/J-Box:** Electronic 120V-277V. UL listed for through branch circuit wiring with max of (8) No. 12AWG, 90°C supply conductors. Outboard mounted to reduce heat transfer and maintain lamp efficacy and life. Service from below without tools.

### Electrical

**Note:** For ballast electrical data and latest lamp/ballast compatibility refer to "Ballast" specification sheet for complete electrical data.

UL Listed for through branch circuit wiring with max of (8) No 12 AWG, 90 degree C supply conductors.

### Options and Accessories

Comfort Clear™ Finishes <sup>1</sup>	Other Finishes	
Clear	<b>CCL</b>	<b>WH</b>
Diffuse	<b>CCD</b>	
Champagne Bronze	<b>CCZ</b>	
Multigroove	<b>MG</b>	

<sup>1</sup>Specify desired flange. **W** White, **P** Polished, **Blank** - Molded Ring

# 8031 Calculite CFL 6"

## Triple Tube Horizontal

### Options and Accessories (continued)

Emergency Add suffix **EM\***  
 Chicago Plenum Use 6132BULC  
 Existing/Thk. Ceiling **FA EC6\***  
 Emergency Ltg. Kit **FA EM3E\***  
**FA EM4E\***

Fuse (Slow Blow) Add Suffix **F**

\*See Spec. Sheets: FAEC, FAEM

Mounting Bars & Accessories; see Specification Sheet MBA.

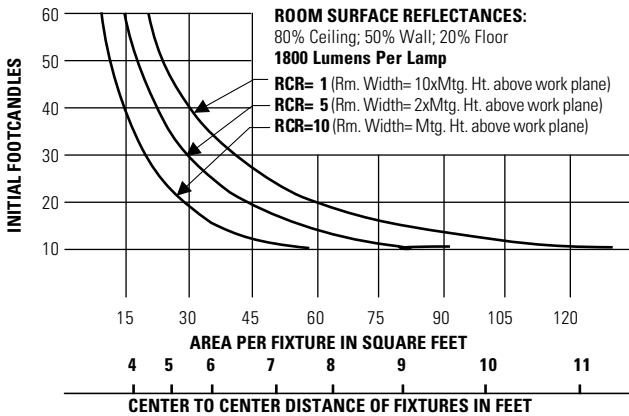
Sloped Ceiling Adapters; see Specification Sheet SCA.

IC Frame available; see **C6CFL32** specification sheet.

### Labels

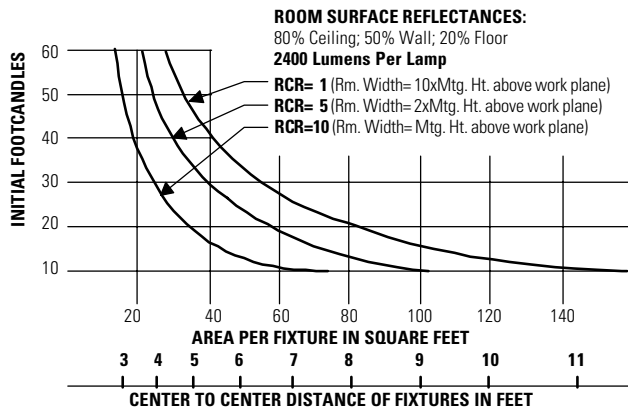
UL listed for damp locations.

### 26W Quick Calculator



This quick calculator chart determines the number and spacing of 1 lt.- 26W PL-T units with clear reflector, for any level of illumination.

### 32W Quick Calculator



This quick calculator chart determines the number and spacing of 1 lt.- 32W PL-T units with clear reflector, for any level of illumination.

# 8031 Calculite CFL 6"

## Triple Tube Horizontal

### Spacing Ratio = 1.4

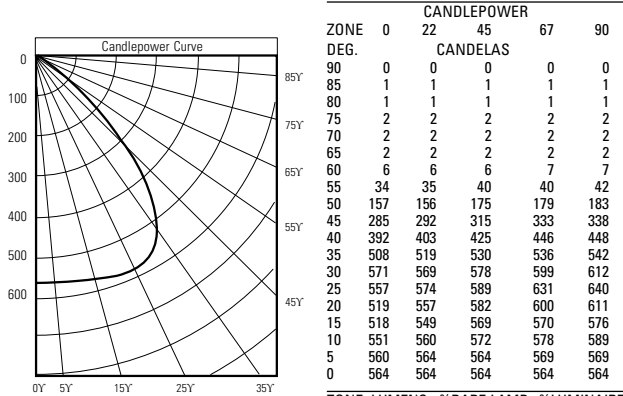
Report No.: LRL 796-1A

PREPARED BY: LIGHTING RESEARCH LABORATORY, INC.

PREPARED FOR: LIGHTOLIER

DESCRIP.: 6" dia. x 6" Ht. recessed downlight - open bottom spun semispecular reflector; tilted horizontal lamp

LAMPS: 1 PLT-26W rated at 1800 LUMENS.



\*\* EFFICIENCY = 61.6% \*\*

### Coefficients Of Utilization

ROOM CAVITY RATIO	% EFFECTIVE CEILING CAVITY REFLECTANCE															
	80			70			50			30			10	0		
	% WALL REFLECTANCE															
	50	30	10	50	30	10	50	30	10	50	30	10	50	30	10	0
1	.68	.66	.65	.67	.65	.64	.64	.63	.62	.62	.61	.60	.60	.59	.58	.57
2	.63	.61	.59	.62	.60	.58	.60	.58	.57	.58	.57	.55	.57	.55	.54	.53
3	.59	.56	.53	.58	.55	.53	.55	.54	.52	.55	.53	.51	.54	.52	.51	.50
4	.54	.51	.48	.54	.51	.48	.52	.50	.47	.51	.49	.47	.50	.48	.46	.45
5	.51	.47	.44	.50	.46	.44	.49	.46	.43	.48	.45	.43	.47	.45	.43	.42
6	.47	.43	.40	.46	.43	.40	.45	.42	.40	.45	.42	.39	.44	.41	.39	.38
7	.43	.39	.36	.43	.39	.36	.42	.39	.36	.41	.38	.36	.41	.38	.36	.35
8	.40	.36	.33	.39	.36	.33	.39	.35	.33	.38	.35	.33	.37	.35	.32	.31
9	.36	.32	.30	.36	.32	.30	.35	.32	.29	.35	.32	.29	.34	.31	.29	.28
10	.32	.28	.25	.31	.27	.25	.31	.27	.25	.30	.27	.24	.30	.27	.24	.23

20% FLOOR CAVITY REFLECTANCE

### Spacing Ratio = 1.4

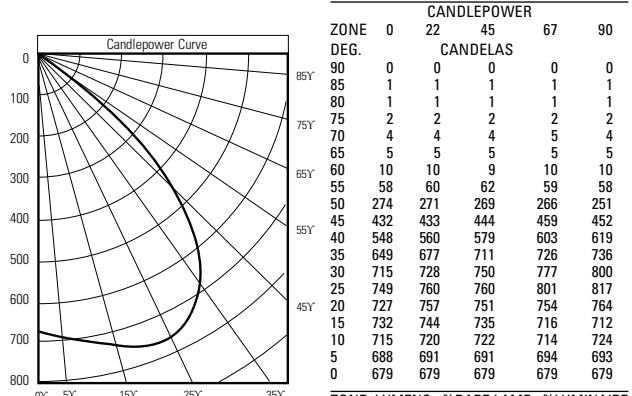
Report No.: LRL 796-1B

PREPARED BY: LIGHTING RESEARCH LABORATORY, INC

PREPARED FOR: LIGHTOLIER

DESCRIP.: 6" dia. x 6" Ht. recessed downlight - open bottom spun semispecular reflector; tilted horizontal lamp

LAMPS: 1 PLT-32W rated at 2400 LUMENS.



\*\* EFFICIENCY = 62.2% \*\*

### Coefficients Of Utilization

ROOM CAVITY RATIO	% EFFECTIVE CEILING CAVITY REFLECTANCE															
	80			70			50			30			10	0		
	% WALL REFLECTANCE															
	50	30	10	50	30	10	50	30	10	50	30	10	50	30	10	0
1	.68	.67	.65	.67	.66	.64	.65	.63	.62	.62	.61	.60	.60	.59	.59	.58
2	.64	.61	.59	.62	.60	.58	.60	.59	.57	.59	.57	.56	.57	.56	.54	.53
3	.59	.56	.53	.58	.55	.53	.57	.54	.52	.55	.53	.51	.54	.52	.50	.49
4	.55	.51	.48	.54	.50	.48	.52	.50	.47	.51	.49	.47	.50	.48	.46	.45
5	.50	.47	.44	.50	.46	.43	.49	.46	.43	.48	.45	.43	.47	.44	.42	.41
6	.47	.43	.40	.45	.42	.40	.45	.42	.39	.44	.41	.39	.43	.41	.39	.38
7	.43	.39	.36	.42	.39	.36	.42	.38	.36	.41	.38	.35	.40	.37	.35	.34
8	.39	.35	.32	.39	.35	.32	.38	.35	.32	.38	.34	.32	.37	.34	.32	.31
9	.36	.32	.29	.36	.32	.29	.35	.31	.29	.34	.31	.29	.34	.31	.28	.27
10	.31	.27	.24	.31	.27	.24	.30	.26	.24	.30	.26	.24	.29	.26	.24	.23

20% FLOOR CAVITY REFLECTANCE

